
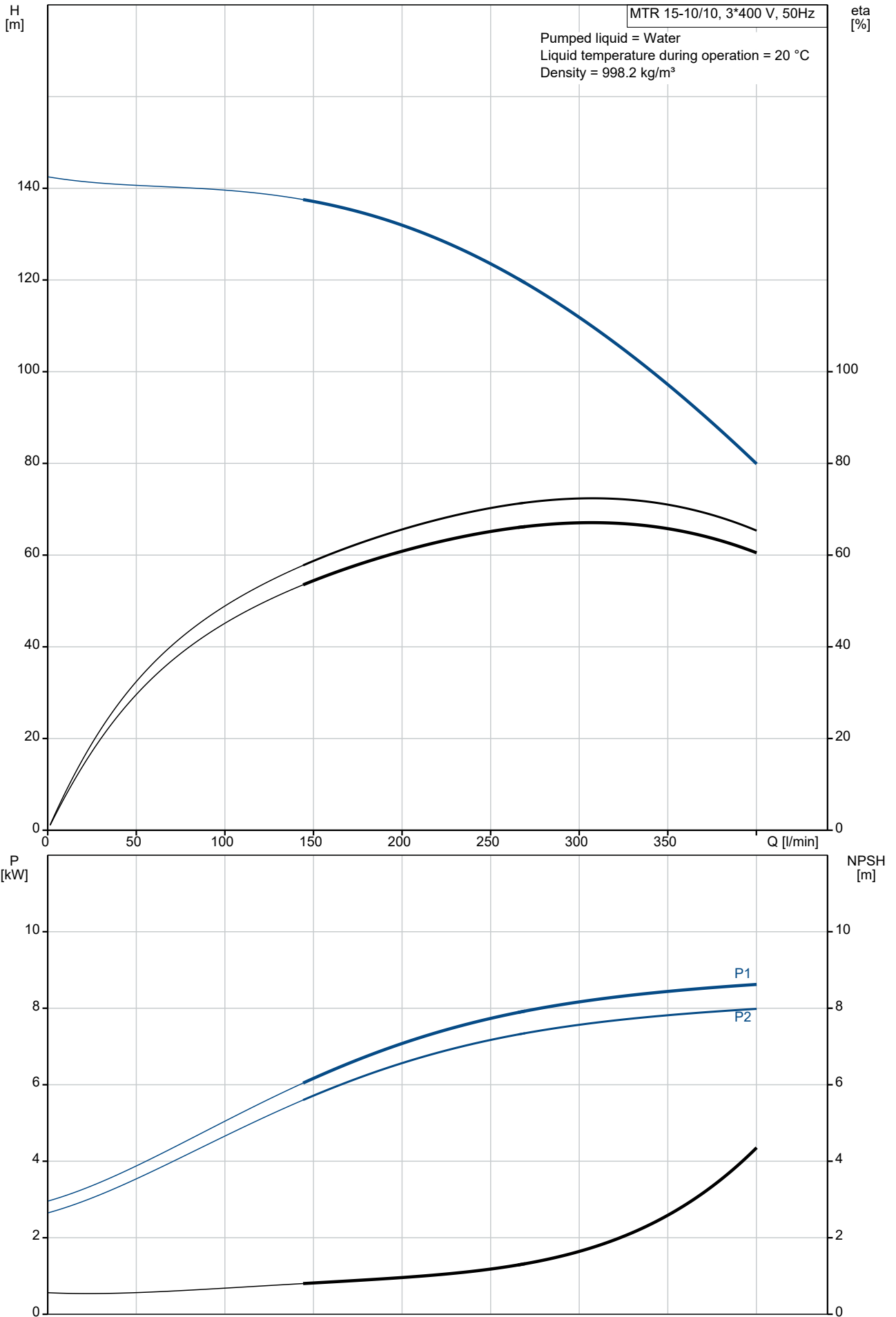


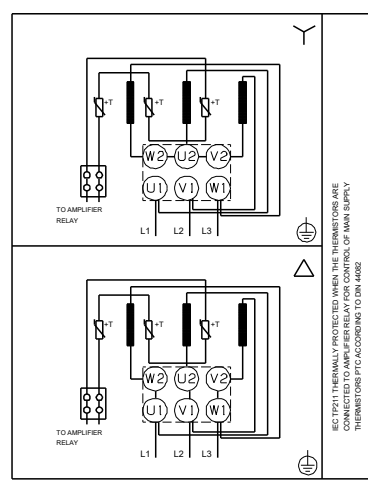
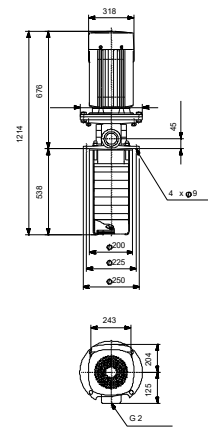
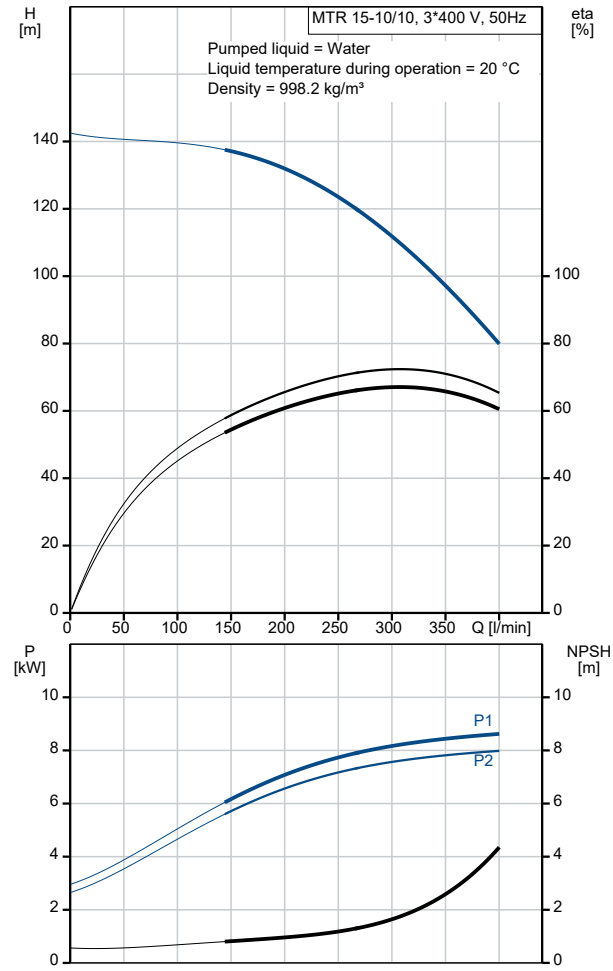
Qty.	Description
1	<p data-bbox="199 159 518 190">MTR 15-10/10 A-W-A-HUUV</p>  <p data-bbox="199 481 478 512">Product No.: On request</p> <p data-bbox="199 542 1433 622">Multistage, immersible, self-priming, centrifugal pump for vertical installation in tanks etc. The pump head and base are in cast iron – all other wetted parts are in stainless steel. The pump has the following characteristics:</p> <ul data-bbox="239 629 1117 745" style="list-style-type: none"> • Dimensions according to DIN 5440. • Impellers, intermediate chambers and spline shaft are made of Stainless steel. • Mechanical shaft seal according to EN 12756. • Power transmission via sintered metal split coupling. <p data-bbox="199 748 1433 801">A cartridge shaft seal ensures high reliability, safe handling, and easy access and service. The pump is fitted with a 3-phase, fan-cooled asynchronous motor.</p> <p data-bbox="199 835 303 866">Controls:</p> <p data-bbox="199 866 638 898">Frequency converter: NONE</p> <p data-bbox="199 925 279 956">Liquid:</p> <p data-bbox="199 956 638 987">Pumped liquid: Water</p> <p data-bbox="199 987 694 1019">Liquid temperature range: -10 .. 90 °C</p> <p data-bbox="199 1019 630 1050">Selected liquid temperature: 20 °C</p> <p data-bbox="199 1050 694 1081">Density: 998.2 kg/m³</p> <p data-bbox="199 1108 311 1140">Technical:</p> <p data-bbox="199 1140 821 1171">Pump speed on which pump data are based: 2924 rpm</p> <p data-bbox="199 1171 662 1202">Rated flow: 283 l/min</p> <p data-bbox="199 1202 662 1234">Rated head: 113.5 m</p> <p data-bbox="199 1234 598 1265">Chambers: 10</p> <p data-bbox="199 1265 582 1296">Drainage back to tank: N</p> <p data-bbox="199 1296 646 1328">Pump orientation: Vertical</p> <p data-bbox="199 1328 630 1359">Code for shaft seal: HUUV</p> <p data-bbox="199 1359 662 1391">Approvals: CE,EAC</p> <p data-bbox="199 1391 758 1422">Curve tolerance: ISO9906:2012 3B</p> <p data-bbox="199 1449 311 1480">Materials:</p> <p data-bbox="199 1480 805 1641">Pump head: Cast iron EN 1561 EN-GJL-200 ASTM A48-25B</p> <p data-bbox="199 1641 726 1673">Impeller: Stainless steel EN 1.4301 AISI 304</p> <p data-bbox="199 1700 327 1731">Installation:</p> <p data-bbox="199 1731 630 1762">t max amb: 60 °C</p> <p data-bbox="199 1762 638 1794">Maximum operating pressure: 25 bar</p> <p data-bbox="199 1794 718 1825">Max pressure at stated temp: 25 bar / 90 °C</p> <p data-bbox="199 1825 742 1856">Type of connection: G internal thread</p> <p data-bbox="199 1856 630 1888">Size of outlet connection: 2 inch</p> <p data-bbox="199 1888 654 1919">Immersion depth: 538 mm</p> <p data-bbox="199 1919 638 1951">Flange size for motor: FF300</p> <p data-bbox="199 1977 359 2009">Electrical data:</p> <p data-bbox="199 2009 614 2040">Motor standard: IEC</p> <p data-bbox="199 2040 646 2072">Motor type: 160MB</p> <p data-bbox="199 2072 614 2103">IE Efficiency class: IE3</p> <p data-bbox="199 2103 638 2134">Rated power - P2: 11 kW</p>

Qty.	Description																																																
1	<table> <tr> <td>Mains frequency:</td> <td>50 Hz</td> </tr> <tr> <td>Suitable for 50/60 Hz:</td> <td>N</td> </tr> <tr> <td>Rated voltage:</td> <td>3 x 380-415D/660-690Y V</td> </tr> <tr> <td>Rated current:</td> <td>20,8-19,8/12,0-11,8 A</td> </tr> <tr> <td>Starting current:</td> <td>660-780 %</td> </tr> <tr> <td>Cos phi - power factor:</td> <td>0.88-0.84</td> </tr> <tr> <td>Rated speed:</td> <td>2940-2950 rpm</td> </tr> <tr> <td>Efficiency:</td> <td>IE3 91,2%</td> </tr> <tr> <td>Motor efficiency at full load:</td> <td>91.2-91.2 %</td> </tr> <tr> <td>Motor efficiency at 3/4 load:</td> <td>91.8 %</td> </tr> <tr> <td>Motor efficiency at 1/2 load:</td> <td>91.3 %</td> </tr> <tr> <td>Number of poles:</td> <td>2</td> </tr> <tr> <td>Enclosure class (IEC 34-5):</td> <td>55 Dust/Jetting</td> </tr> <tr> <td>Insulation class (IEC 85):</td> <td>F</td> </tr> <tr> <td>Motor No:</td> <td>85U17524</td> </tr> <tr> <td colspan="2">Others:</td> </tr> <tr> <td>Terminal box position:</td> <td>6</td> </tr> <tr> <td>Minimum efficiency index, MEI ≥:</td> <td>0.70</td> </tr> <tr> <td>Net weight:</td> <td>113 kg</td> </tr> <tr> <td>Gross weight:</td> <td>138 kg</td> </tr> <tr> <td>Shipping volume:</td> <td>0.479 m³</td> </tr> <tr> <td>Danish VVS No.:</td> <td>386967010</td> </tr> <tr> <td>Country of origin:</td> <td>HU</td> </tr> <tr> <td>Custom tariff no.:</td> <td>84137075</td> </tr> </table>	Mains frequency:	50 Hz	Suitable for 50/60 Hz:	N	Rated voltage:	3 x 380-415D/660-690Y V	Rated current:	20,8-19,8/12,0-11,8 A	Starting current:	660-780 %	Cos phi - power factor:	0.88-0.84	Rated speed:	2940-2950 rpm	Efficiency:	IE3 91,2%	Motor efficiency at full load:	91.2-91.2 %	Motor efficiency at 3/4 load:	91.8 %	Motor efficiency at 1/2 load:	91.3 %	Number of poles:	2	Enclosure class (IEC 34-5):	55 Dust/Jetting	Insulation class (IEC 85):	F	Motor No:	85U17524	Others:		Terminal box position:	6	Minimum efficiency index, MEI ≥:	0.70	Net weight:	113 kg	Gross weight:	138 kg	Shipping volume:	0.479 m ³	Danish VVS No.:	386967010	Country of origin:	HU	Custom tariff no.:	84137075
Mains frequency:	50 Hz																																																
Suitable for 50/60 Hz:	N																																																
Rated voltage:	3 x 380-415D/660-690Y V																																																
Rated current:	20,8-19,8/12,0-11,8 A																																																
Starting current:	660-780 %																																																
Cos phi - power factor:	0.88-0.84																																																
Rated speed:	2940-2950 rpm																																																
Efficiency:	IE3 91,2%																																																
Motor efficiency at full load:	91.2-91.2 %																																																
Motor efficiency at 3/4 load:	91.8 %																																																
Motor efficiency at 1/2 load:	91.3 %																																																
Number of poles:	2																																																
Enclosure class (IEC 34-5):	55 Dust/Jetting																																																
Insulation class (IEC 85):	F																																																
Motor No:	85U17524																																																
Others:																																																	
Terminal box position:	6																																																
Minimum efficiency index, MEI ≥:	0.70																																																
Net weight:	113 kg																																																
Gross weight:	138 kg																																																
Shipping volume:	0.479 m ³																																																
Danish VVS No.:	386967010																																																
Country of origin:	HU																																																
Custom tariff no.:	84137075																																																

On request MTR 15-10/10 A-W-A-HUUV 50 Hz

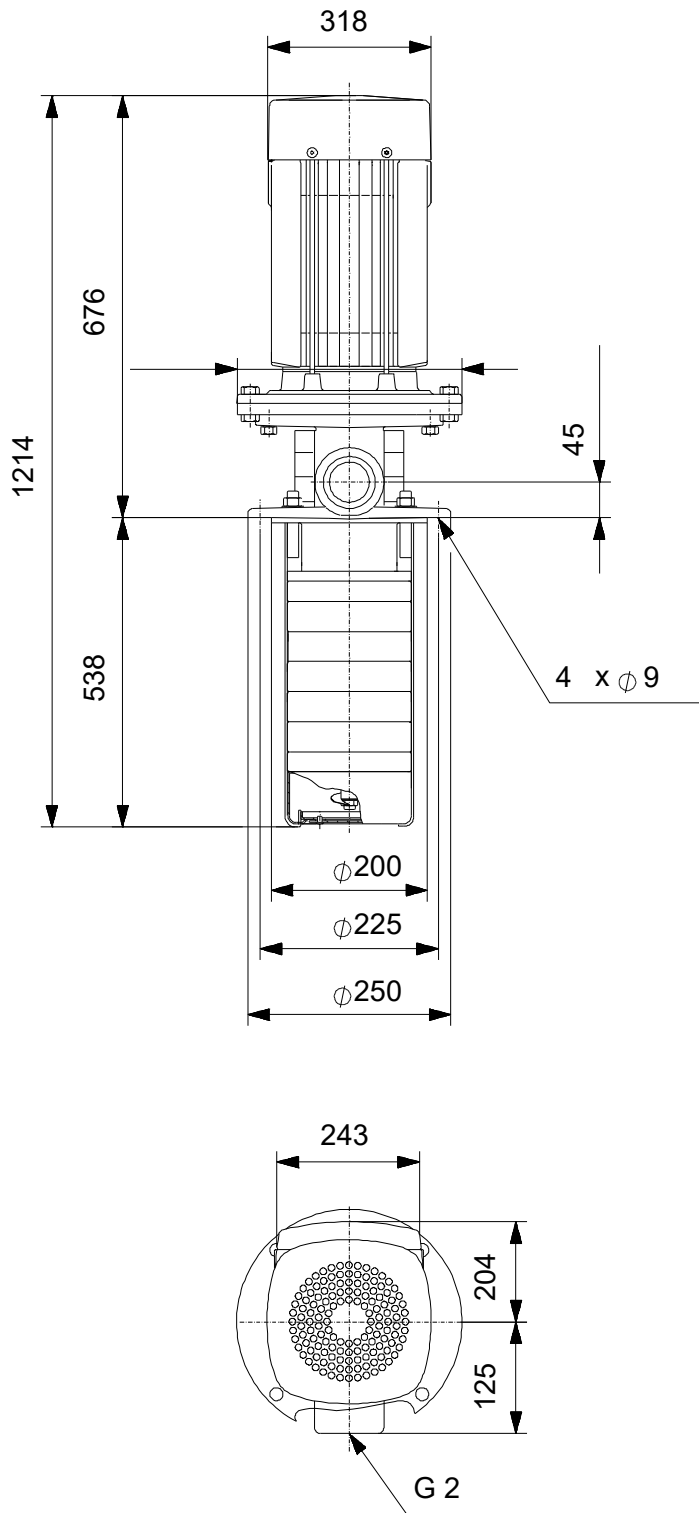


Description	Value
General information:	
Product name:	MTR 15-10/10 A-W-A-HUUV
Product No:	On request
EAN number:	On request
Technical:	
Pump speed on which pump data are based:	2924 rpm
Rated flow:	283 l/min
Rated head:	113.5 m
Chambers:	10
Impellers:	10
Number of reduced-diameter impellers:	0
Drainage back to tank:	N
Pump orientation:	Vertical
Code for shaft seal:	HUUV
Approvals:	CE,EAC
Curve tolerance:	ISO9906:2012 3B
Pump version:	A
Model:	A
Materials:	
Pump head:	Cast iron
Pump head:	EN 1561 EN-GJL-200
Pump head:	ASTM A48-25B
Impeller:	Stainless steel
Impeller:	EN 1.4301
Impeller:	AISI 304
Material code:	A
Installation:	
t max amb:	60 °C
Maximum operating pressure:	25 bar
Max pressure at stated temp:	25 bar / 90 °C
Type of connection:	G internal thread
Size of outlet connection:	2 inch
Immersion depth:	538 mm
Flange size for motor:	FF300
Connect code:	W
Liquid:	
Pumped liquid:	Water
Liquid temperature range:	-10 .. 90 °C
Selected liquid temperature:	20 °C
Density:	998.2 kg/m ³
Electrical data:	
Motor standard:	IEC
Motor type:	160MB
IE Efficiency class:	IE3
Rated power - P2:	11 kW
Mains frequency:	50 Hz
Suitable for 50/60 Hz:	N
Rated voltage:	3 x 380-415D/660-690Y V
Rated current:	20,8-19,8/12,0-11,8 A
Starting current:	660-780 %
Cos phi - power factor:	0.88-0.84
Rated speed:	2940-2950 rpm
Efficiency:	IE3 91,2%
Motor efficiency at full load:	91.2-91.2 %
Motor efficiency at 3/4 load:	91.8 %
Motor efficiency at 1/2 load:	91.3 %
Number of poles:	2
Enclosure class (IEC 34-5):	55 Dust/Jetting
Insulation class (IEC 85):	F
Built-in motor protection:	PTC
Motor No:	85U17524
Controls:	



Description	Value
Frequency converter:	NONE
Others:	
Terminal box position:	6
Minimum efficiency index, MEI ≥:	0.70
Net weight:	113 kg
Gross weight:	138 kg
Shipping volume:	0.479 m ³
Danish VVS No.:	386967010
Country of origin:	HU
Custom tariff no.:	84137075

On request MTR 15-10/10 A-W-A-HUUV 50 Hz



Note! All units are in [mm] unless others are stated.
Disclaimer: This simplified dimensional drawing does not show all details.

On request MTR 15-10/10 A-W-A-HUUV 50 Hz



IEC TP211 THERMALLY PROTECTED WHEN THE THERMISTORS ARE
CONNECTED TO AMPLIFIER RELAY FOR CONTROL OF MAIN SUPPLY
THERMISTORS PTC ACCORDING TO DIN 44082

Note! All units are in [mm] unless others are stated.

