
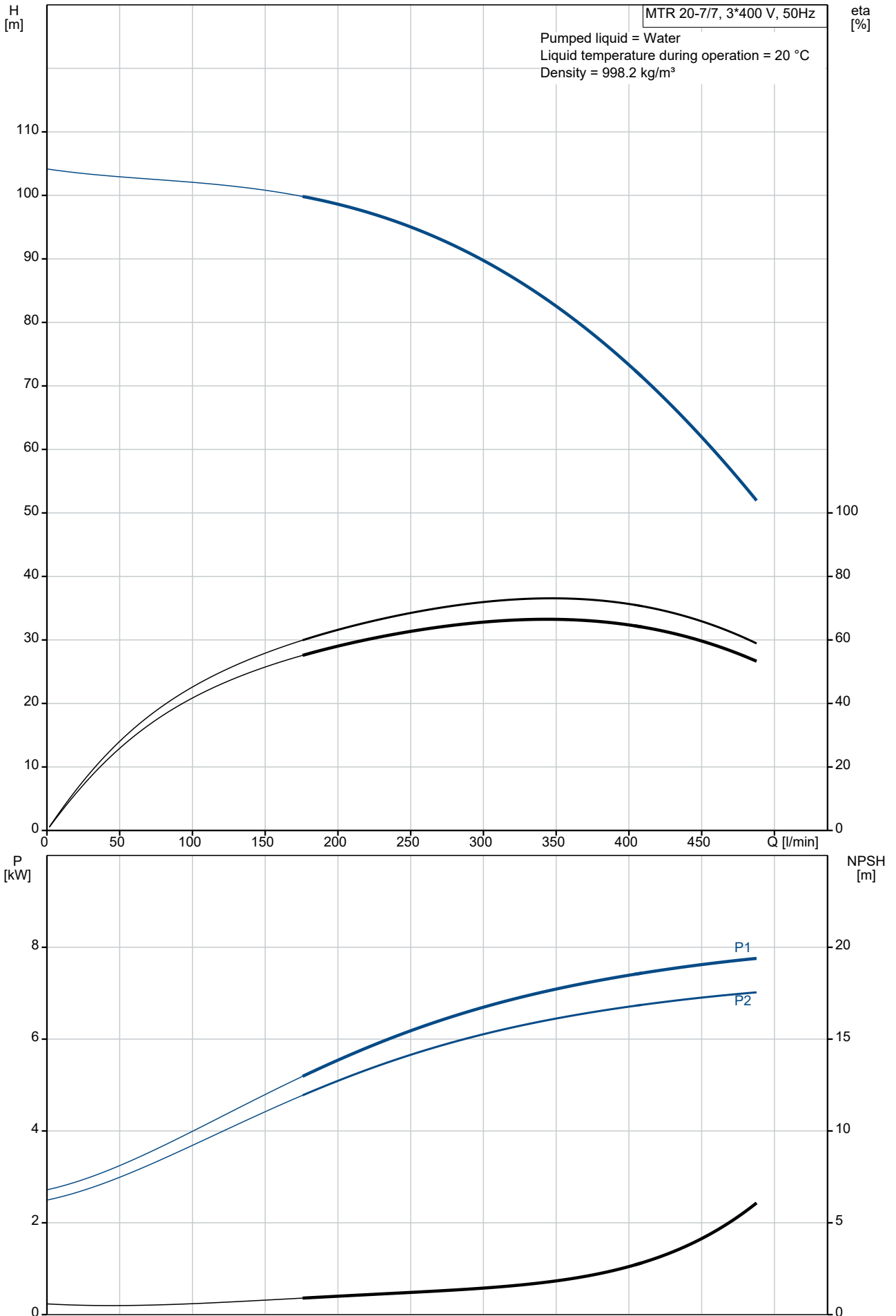


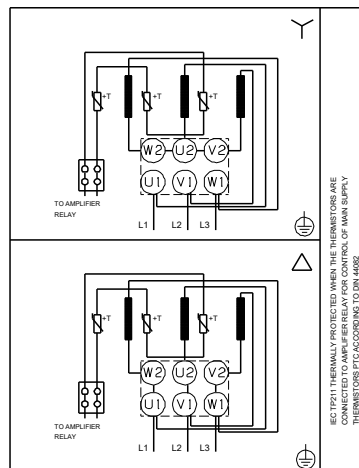
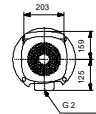
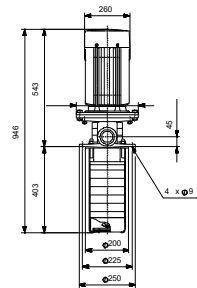
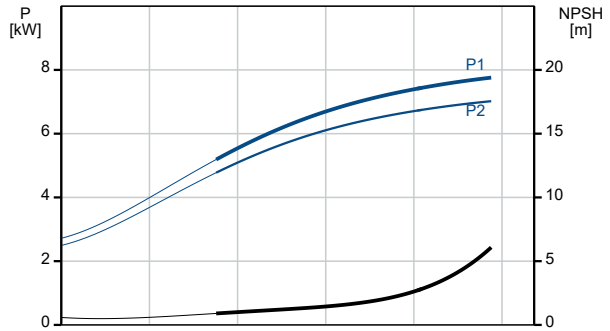
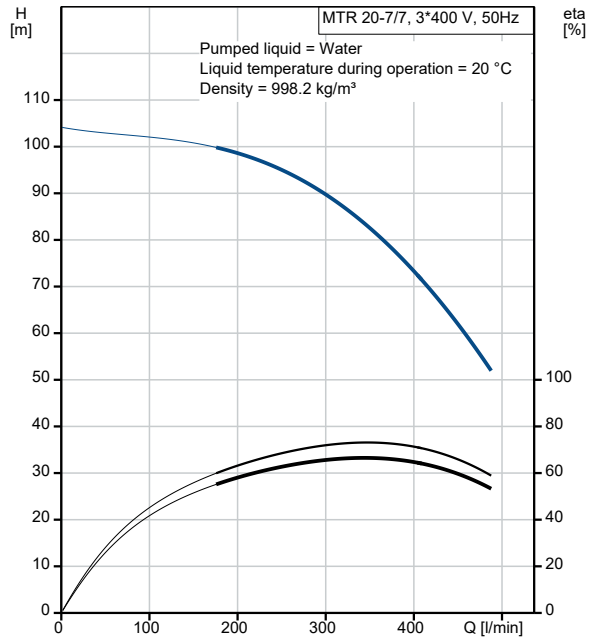
Qty.	Description
1	<b>MTR 20-7/7 A-W-A-HUUV</b>
	
	Product No.: On request
	Multistage, immersible, self-priming, centrifugal pump for vertical installation in tanks etc. The pump head and base are in cast iron – all other wetted parts are in stainless steel. The pump has the following characteristics:
	<ul style="list-style-type: none"> <li>• Dimensions according to DIN 5440.</li> <li>• Impellers, intermediate chambers and spline shaft are made of Stainless steel.</li> <li>• Mechanical shaft seal according to EN 12756.</li> <li>• Power transmission via sintered metal split coupling.</li> </ul>
	A cartridge shaft seal ensures high reliability, safe handling, and easy access and service. The pump is fitted with a 3-phase, fan-cooled asynchronous motor.
	<b>Controls:</b>
	Frequency converter:                    NONE
	<b>Liquid:</b>
	Pumped liquid:                            Water
	Liquid temperature range:            -10 .. 90 °C
	Selected liquid temperature:        20 °C
	Density:                                      998.2 kg/m <sup>3</sup>
	<b>Technical:</b>
	Pump speed on which pump data are based:    2919 rpm
	Rated flow:                                    350 l/min
	Rated head:                                    81.7 m
	Chambers:                                    7
	Drainage back to tank:                    N
	Pump orientation:                           Vertical
	Code for shaft seal:                        HUUV
	Approvals:                                    CE,EAC
	Curve tolerance:                            ISO9906:2012 3B
	<b>Materials:</b>
	Pump head:                                    Cast iron EN 1561 EN-GJL-200 ASTM A48-25B
	Impeller:                                        Stainless steel EN 1.4301 AISI 304
	<b>Installation:</b>
	t max amb:                                    60 °C
	Maximum operating pressure:            25 bar
	Max pressure at stated temp:            25 bar / 90 °C
	Type of connection:                        G internal thread
	Size of outlet connection:                2 inch
	Immersion depth:                            403 mm
	Flange size for motor:                    FF265
	<b>Electrical data:</b>
	Motor standard:                            IEC
	Motor type:                                    132SB
	IE Efficiency class:                        IE3
	Rated power - P2:                            7.5 kW

Qty.	Description																																																
1	<table> <tr> <td>Mains frequency:</td> <td>50 Hz</td> </tr> <tr> <td>Suitable for 50/60 Hz:</td> <td>N</td> </tr> <tr> <td>Rated voltage:</td> <td>3 x 380-415D/660-690Y V</td> </tr> <tr> <td>Rated current:</td> <td>14,4-14,0/8,30-8,10 A</td> </tr> <tr> <td>Starting current:</td> <td>780-910 %</td> </tr> <tr> <td>Cos phi - power factor:</td> <td>0.88-0.82</td> </tr> <tr> <td>Rated speed:</td> <td>2910-2920 rpm</td> </tr> <tr> <td>Efficiency:</td> <td>IE3 90,1%</td> </tr> <tr> <td>Motor efficiency at full load:</td> <td>90.1-90.4 %</td> </tr> <tr> <td>Motor efficiency at 3/4 load:</td> <td>90.8 %</td> </tr> <tr> <td>Motor efficiency at 1/2 load:</td> <td>90.8 %</td> </tr> <tr> <td>Number of poles:</td> <td>2</td> </tr> <tr> <td>Enclosure class (IEC 34-5):</td> <td>55 Dust/Jetting</td> </tr> <tr> <td>Insulation class (IEC 85):</td> <td>F</td> </tr> <tr> <td>Motor No:</td> <td>85U17522</td> </tr> <tr> <td colspan="2">Others:</td> </tr> <tr> <td>Terminal box position:</td> <td>6</td> </tr> <tr> <td>Minimum efficiency index, MEI ≥:</td> <td>0.70</td> </tr> <tr> <td>Net weight:</td> <td>75.2 kg</td> </tr> <tr> <td>Gross weight:</td> <td>93.5 kg</td> </tr> <tr> <td>Shipping volume:</td> <td>0.23 m<sup>3</sup></td> </tr> <tr> <td>Danish VVS No.:</td> <td>386968007</td> </tr> <tr> <td>Country of origin:</td> <td>HU</td> </tr> <tr> <td>Custom tariff no.:</td> <td>84137075</td> </tr> </table>	Mains frequency:	50 Hz	Suitable for 50/60 Hz:	N	Rated voltage:	3 x 380-415D/660-690Y V	Rated current:	14,4-14,0/8,30-8,10 A	Starting current:	780-910 %	Cos phi - power factor:	0.88-0.82	Rated speed:	2910-2920 rpm	Efficiency:	IE3 90,1%	Motor efficiency at full load:	90.1-90.4 %	Motor efficiency at 3/4 load:	90.8 %	Motor efficiency at 1/2 load:	90.8 %	Number of poles:	2	Enclosure class (IEC 34-5):	55 Dust/Jetting	Insulation class (IEC 85):	F	Motor No:	85U17522	Others:		Terminal box position:	6	Minimum efficiency index, MEI ≥:	0.70	Net weight:	75.2 kg	Gross weight:	93.5 kg	Shipping volume:	0.23 m <sup>3</sup>	Danish VVS No.:	386968007	Country of origin:	HU	Custom tariff no.:	84137075
Mains frequency:	50 Hz																																																
Suitable for 50/60 Hz:	N																																																
Rated voltage:	3 x 380-415D/660-690Y V																																																
Rated current:	14,4-14,0/8,30-8,10 A																																																
Starting current:	780-910 %																																																
Cos phi - power factor:	0.88-0.82																																																
Rated speed:	2910-2920 rpm																																																
Efficiency:	IE3 90,1%																																																
Motor efficiency at full load:	90.1-90.4 %																																																
Motor efficiency at 3/4 load:	90.8 %																																																
Motor efficiency at 1/2 load:	90.8 %																																																
Number of poles:	2																																																
Enclosure class (IEC 34-5):	55 Dust/Jetting																																																
Insulation class (IEC 85):	F																																																
Motor No:	85U17522																																																
Others:																																																	
Terminal box position:	6																																																
Minimum efficiency index, MEI ≥:	0.70																																																
Net weight:	75.2 kg																																																
Gross weight:	93.5 kg																																																
Shipping volume:	0.23 m <sup>3</sup>																																																
Danish VVS No.:	386968007																																																
Country of origin:	HU																																																
Custom tariff no.:	84137075																																																

# On request MTR 20-7/7 A-W-A-HUUV 50 Hz

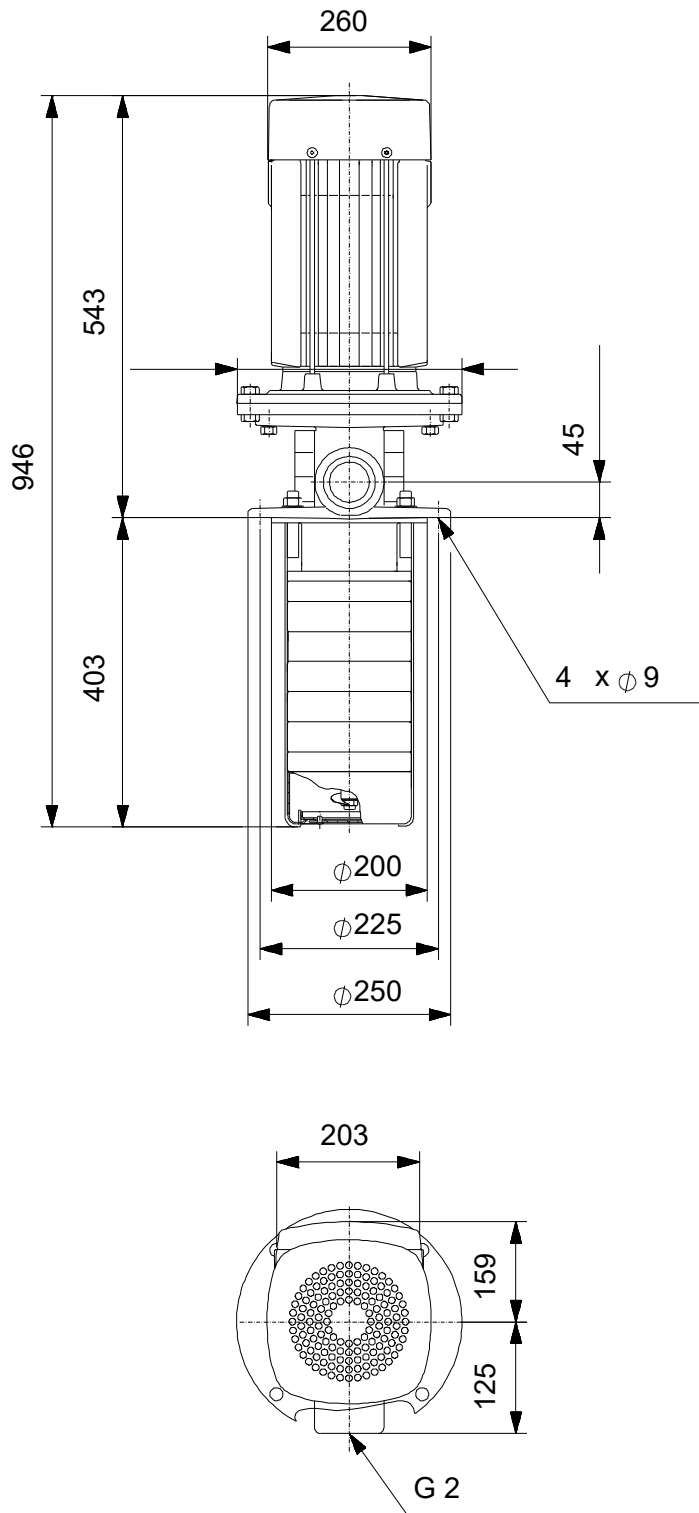


Description	Value
<b>General information:</b>	
Product name:	MTR 20-7/7 A-W-A-HUUV
Product No:	On request
EAN number:	On request
<b>Technical:</b>	
Pump speed on which pump data are based:	2919 rpm
Rated flow:	350 l/min
Rated head:	81.7 m
Chambers:	7
Impellers:	7
Number of reduced-diameter impellers:	0
Drainage back to tank:	N
Pump orientation:	Vertical
Code for shaft seal:	HUUV
Approvals:	CE,EAC
Curve tolerance:	ISO9906:2012 3B
Pump version:	A
Model:	A
<b>Materials:</b>	
Pump head:	Cast iron
Pump head:	EN 1561 EN-GJL-200
Pump head:	ASTM A48-25B
Impeller:	Stainless steel
Impeller:	EN 1.4301
Impeller:	AISI 304
Material code:	A
<b>Installation:</b>	
t max amb:	60 °C
Maximum operating pressure:	25 bar
Max pressure at stated temp:	25 bar / 90 °C
Type of connection:	G internal thread
Size of outlet connection:	2 inch
Immersion depth:	403 mm
Flange size for motor:	FF265
Connect code:	W
<b>Liquid:</b>	
Pumped liquid:	Water
Liquid temperature range:	-10 .. 90 °C
Selected liquid temperature:	20 °C
Density:	998.2 kg/m <sup>3</sup>
<b>Electrical data:</b>	
Motor standard:	IEC
Motor type:	132SB
IE Efficiency class:	IE3
Rated power - P2:	7.5 kW
Mains frequency:	50 Hz
Suitable for 50/60 Hz:	N
Rated voltage:	3 x 380-415D/660-690Y V
Rated current:	14,4-14,0/8,30-8,10 A
Starting current:	780-910 %
Cos phi - power factor:	0.88-0.82
Rated speed:	2910-2920 rpm
Efficiency:	IE3 90,1%
Motor efficiency at full load:	90.1-90.4 %
Motor efficiency at 3/4 load:	90.8 %
Motor efficiency at 1/2 load:	90.8 %
Number of poles:	2
Enclosure class (IEC 34-5):	55 Dust/Jetting
Insulation class (IEC 85):	F
Built-in motor protection:	PTC
Motor No:	85U17522
<b>Controls:</b>	



Description	Value
Frequency converter:	NONE
<b>Others:</b>	
Terminal box position:	6
Minimum efficiency index, MEI ≥:	0.70
Net weight:	75.2 kg
Gross weight:	93.5 kg
Shipping volume:	0.23 m <sup>3</sup>
Danish VVS No.:	386968007
Country of origin:	HU
Custom tariff no.:	84137075

# On request MTR 20-7/7 A-W-A-HUUV 50 Hz



Note! All units are in [mm] unless others are stated.  
Disclaimer: This simplified dimensional drawing does not show all details.

# On request MTR 20-7/7 A-W-A-HUUV 50 Hz



IEC TP211 THERMALLY PROTECTED WHEN THE THERMISTORS ARE  
 CONNECTED TO AMPLIFIER RELAY FOR CONTROL OF MAIN SUPPLY  
 THERMISTORS PTC ACCORDING TO DIN 44082

Note! All units are in [mm] unless others are stated.

