
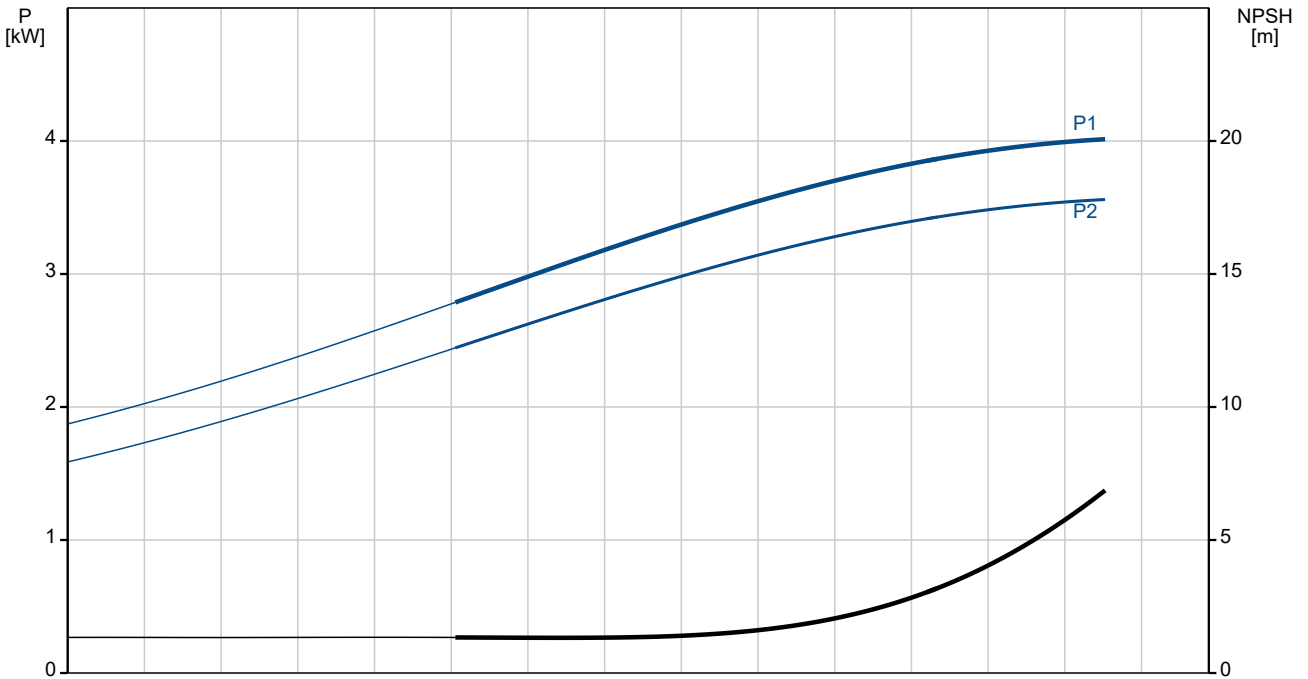
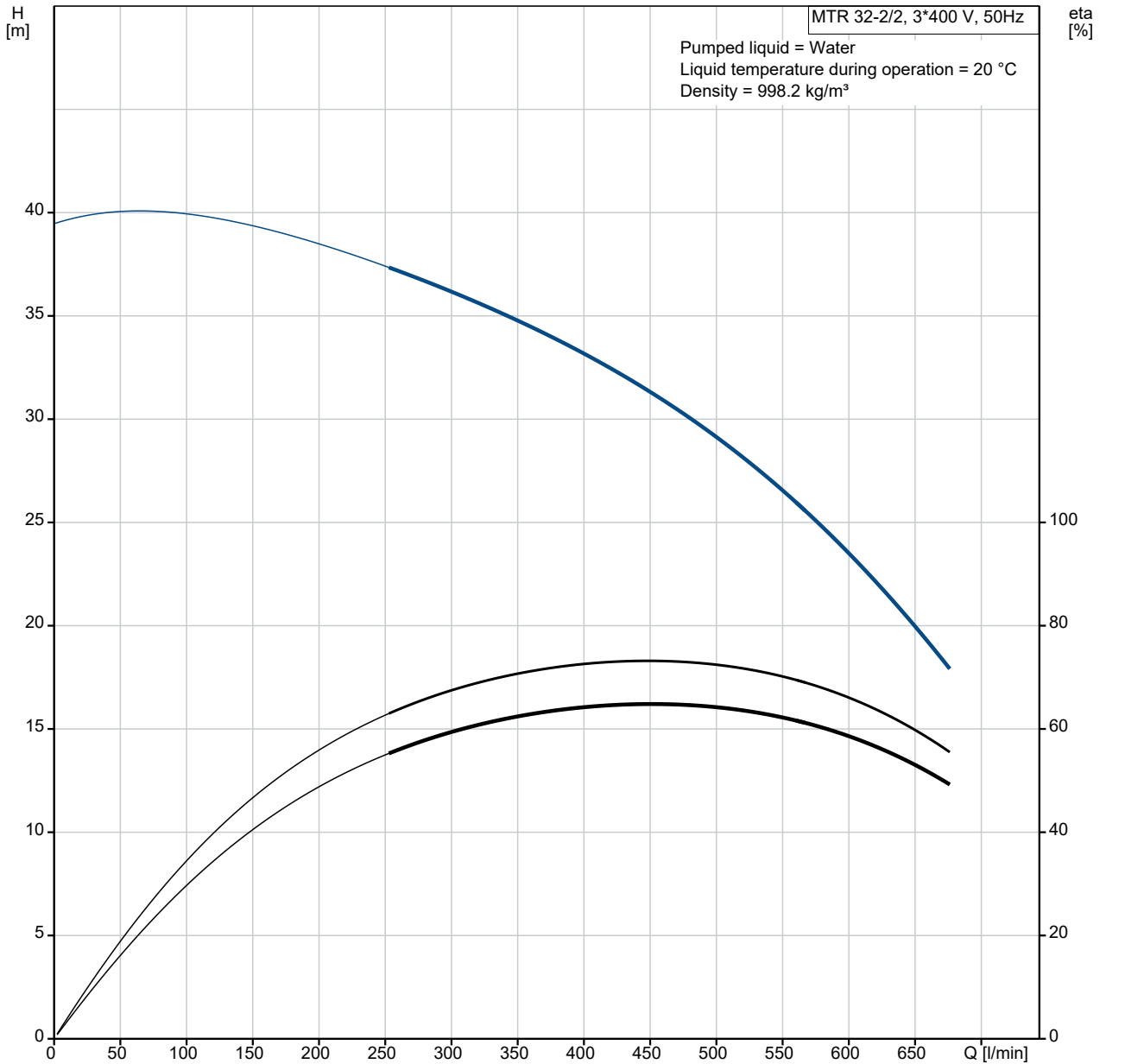


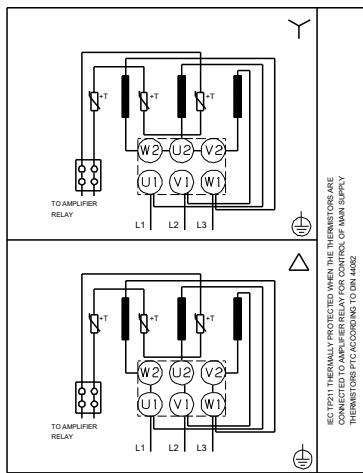
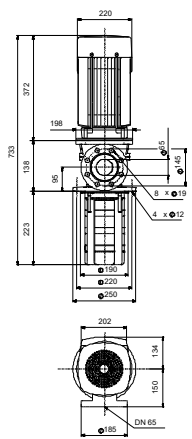
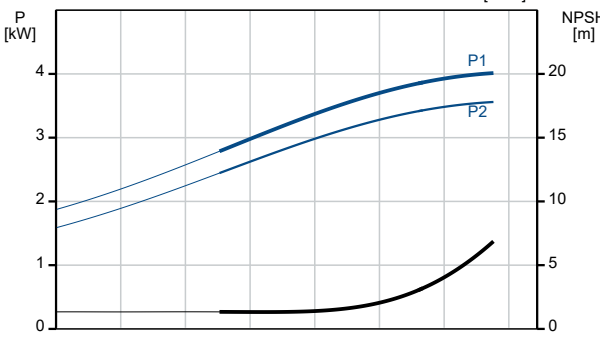
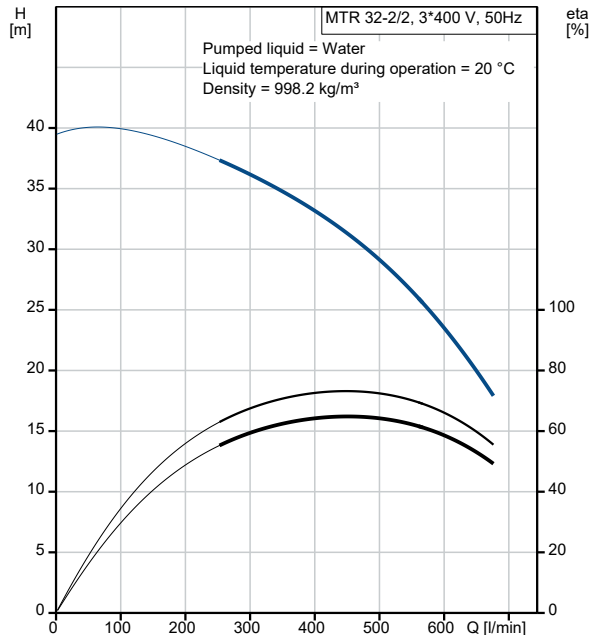
| Qty. | Description |
|------|--|
| 1 | MTR 32-2/2 A-F-A-HUUV |
| |  |
| | Product No.: On request |
| | Multistage, immersible, self-priming, centrifugal pump for vertical installation in tanks etc. The pump head and base are in cast iron – all other wetted parts are in stainless steel. The pump has the following characteristics: |
| | <ul style="list-style-type: none"> • Dimensions according to DIN 5440. • Impellers, intermediate chambers and spline shaft are made of Stainless steel. • Mechanical shaft seal according to EN 12756. • Power transmission via sintered metal split coupling. |
| | A cartridge shaft seal ensures high reliability, safe handling, and easy access and service. The pump is fitted with a 3-phase, fan-cooled asynchronous motor. |
| | Controls: Frequency converter: NONE |
| | Liquid: Pumped liquid: Water Liquid temperature range: -10 .. 90 °C Selected liquid temperature: 20 °C Density: 998.2 kg/m ³ |
| | Technical: Pump speed on which pump data are based: 2917 rpm Rated flow: 500 l/min Rated head: 29.5 m Chambers: 2 Drainage back to tank: N Pump orientation: Vertical Code for shaft seal: HUUV Approvals: CE,EAC Curve tolerance: ISO9906:2012 3B |
| | Materials: Pump head: Cast iron EN 1561 EN-GJL-200 ASTM A48-25B Impeller: Stainless steel EN 1.4301 AISI 304 |
| | Installation: t max amb: 60 °C Maximum operating pressure: 25 bar Max pressure at stated temp: 25 bar / 90 °C Type of connection: DIN Size of outlet connection: DN 65 Immersion depth: 223 mm Pressure rating for connection: PN 40 Flange size for motor: FT130 |
| | Electrical data: Motor standard: IEC Motor type: 112MC IE Efficiency class: IE3 |

| Qty. | Description | | | | | | | | | | | | | | | | | | | | | | | | | | | | | | | | | | | | | | | | | | | | | | | | | | |
|----------------------------------|--|-------------------|------|------------------|-------|------------------------|---|----------------|----------------|----------------|-------|-------------------|-------------|-------------------------|-----------|--------------|---------------|-------------|-----------|--------------------------------|--------|-------------------------------|--------|-------------------------------|--------|------------------|---|-----------------------------|-----------------|----------------------------|---|-----------|----------|---------|--|------------------------|---|----------------------------------|------|-------------|-------|---------------|---------|------------------|----------------------|-----------------|-----------|--------------------|----|--------------------|----------|
| 1 | <table> <tr> <td>Rated power - P2:</td> <td>4 kW</td> </tr> <tr> <td>Mains frequency:</td> <td>50 Hz</td> </tr> <tr> <td>Suitable for 50/60 Hz:</td> <td>N</td> </tr> <tr> <td>Rated voltage:</td> <td>3 x 380-415D V</td> </tr> <tr> <td>Rated current:</td> <td>7.9 A</td> </tr> <tr> <td>Starting current:</td> <td>1000-1110 %</td> </tr> <tr> <td>Cos phi - power factor:</td> <td>0.87-0.87</td> </tr> <tr> <td>Rated speed:</td> <td>2920-2940 rpm</td> </tr> <tr> <td>Efficiency:</td> <td>IE3 88,1%</td> </tr> <tr> <td>Motor efficiency at full load:</td> <td>88.1 %</td> </tr> <tr> <td>Motor efficiency at 3/4 load:</td> <td>88.6 %</td> </tr> <tr> <td>Motor efficiency at 1/2 load:</td> <td>85.2 %</td> </tr> <tr> <td>Number of poles:</td> <td>2</td> </tr> <tr> <td>Enclosure class (IEC 34-5):</td> <td>55 Dust/Jetting</td> </tr> <tr> <td>Insulation class (IEC 85):</td> <td>F</td> </tr> <tr> <td>Motor No:</td> <td>85U15413</td> </tr> <tr> <td colspan="2">Others:</td> </tr> <tr> <td>Terminal box position:</td> <td>6</td> </tr> <tr> <td>Minimum efficiency index, MEI ≥:</td> <td>0.70</td> </tr> <tr> <td>Net weight:</td> <td>73 kg</td> </tr> <tr> <td>Gross weight:</td> <td>89.7 kg</td> </tr> <tr> <td>Shipping volume:</td> <td>0.169 m³</td> </tr> <tr> <td>Danish VVS No.:</td> <td>386969002</td> </tr> <tr> <td>Country of origin:</td> <td>HU</td> </tr> <tr> <td>Custom tariff no.:</td> <td>84137075</td> </tr> </table> | Rated power - P2: | 4 kW | Mains frequency: | 50 Hz | Suitable for 50/60 Hz: | N | Rated voltage: | 3 x 380-415D V | Rated current: | 7.9 A | Starting current: | 1000-1110 % | Cos phi - power factor: | 0.87-0.87 | Rated speed: | 2920-2940 rpm | Efficiency: | IE3 88,1% | Motor efficiency at full load: | 88.1 % | Motor efficiency at 3/4 load: | 88.6 % | Motor efficiency at 1/2 load: | 85.2 % | Number of poles: | 2 | Enclosure class (IEC 34-5): | 55 Dust/Jetting | Insulation class (IEC 85): | F | Motor No: | 85U15413 | Others: | | Terminal box position: | 6 | Minimum efficiency index, MEI ≥: | 0.70 | Net weight: | 73 kg | Gross weight: | 89.7 kg | Shipping volume: | 0.169 m ³ | Danish VVS No.: | 386969002 | Country of origin: | HU | Custom tariff no.: | 84137075 |
| Rated power - P2: | 4 kW | | | | | | | | | | | | | | | | | | | | | | | | | | | | | | | | | | | | | | | | | | | | | | | | | | |
| Mains frequency: | 50 Hz | | | | | | | | | | | | | | | | | | | | | | | | | | | | | | | | | | | | | | | | | | | | | | | | | | |
| Suitable for 50/60 Hz: | N | | | | | | | | | | | | | | | | | | | | | | | | | | | | | | | | | | | | | | | | | | | | | | | | | | |
| Rated voltage: | 3 x 380-415D V | | | | | | | | | | | | | | | | | | | | | | | | | | | | | | | | | | | | | | | | | | | | | | | | | | |
| Rated current: | 7.9 A | | | | | | | | | | | | | | | | | | | | | | | | | | | | | | | | | | | | | | | | | | | | | | | | | | |
| Starting current: | 1000-1110 % | | | | | | | | | | | | | | | | | | | | | | | | | | | | | | | | | | | | | | | | | | | | | | | | | | |
| Cos phi - power factor: | 0.87-0.87 | | | | | | | | | | | | | | | | | | | | | | | | | | | | | | | | | | | | | | | | | | | | | | | | | | |
| Rated speed: | 2920-2940 rpm | | | | | | | | | | | | | | | | | | | | | | | | | | | | | | | | | | | | | | | | | | | | | | | | | | |
| Efficiency: | IE3 88,1% | | | | | | | | | | | | | | | | | | | | | | | | | | | | | | | | | | | | | | | | | | | | | | | | | | |
| Motor efficiency at full load: | 88.1 % | | | | | | | | | | | | | | | | | | | | | | | | | | | | | | | | | | | | | | | | | | | | | | | | | | |
| Motor efficiency at 3/4 load: | 88.6 % | | | | | | | | | | | | | | | | | | | | | | | | | | | | | | | | | | | | | | | | | | | | | | | | | | |
| Motor efficiency at 1/2 load: | 85.2 % | | | | | | | | | | | | | | | | | | | | | | | | | | | | | | | | | | | | | | | | | | | | | | | | | | |
| Number of poles: | 2 | | | | | | | | | | | | | | | | | | | | | | | | | | | | | | | | | | | | | | | | | | | | | | | | | | |
| Enclosure class (IEC 34-5): | 55 Dust/Jetting | | | | | | | | | | | | | | | | | | | | | | | | | | | | | | | | | | | | | | | | | | | | | | | | | | |
| Insulation class (IEC 85): | F | | | | | | | | | | | | | | | | | | | | | | | | | | | | | | | | | | | | | | | | | | | | | | | | | | |
| Motor No: | 85U15413 | | | | | | | | | | | | | | | | | | | | | | | | | | | | | | | | | | | | | | | | | | | | | | | | | | |
| Others: | | | | | | | | | | | | | | | | | | | | | | | | | | | | | | | | | | | | | | | | | | | | | | | | | | | |
| Terminal box position: | 6 | | | | | | | | | | | | | | | | | | | | | | | | | | | | | | | | | | | | | | | | | | | | | | | | | | |
| Minimum efficiency index, MEI ≥: | 0.70 | | | | | | | | | | | | | | | | | | | | | | | | | | | | | | | | | | | | | | | | | | | | | | | | | | |
| Net weight: | 73 kg | | | | | | | | | | | | | | | | | | | | | | | | | | | | | | | | | | | | | | | | | | | | | | | | | | |
| Gross weight: | 89.7 kg | | | | | | | | | | | | | | | | | | | | | | | | | | | | | | | | | | | | | | | | | | | | | | | | | | |
| Shipping volume: | 0.169 m ³ | | | | | | | | | | | | | | | | | | | | | | | | | | | | | | | | | | | | | | | | | | | | | | | | | | |
| Danish VVS No.: | 386969002 | | | | | | | | | | | | | | | | | | | | | | | | | | | | | | | | | | | | | | | | | | | | | | | | | | |
| Country of origin: | HU | | | | | | | | | | | | | | | | | | | | | | | | | | | | | | | | | | | | | | | | | | | | | | | | | | |
| Custom tariff no.: | 84137075 | | | | | | | | | | | | | | | | | | | | | | | | | | | | | | | | | | | | | | | | | | | | | | | | | | |

On request MTR 32-2/2 A-F-A-HUUV 50 Hz

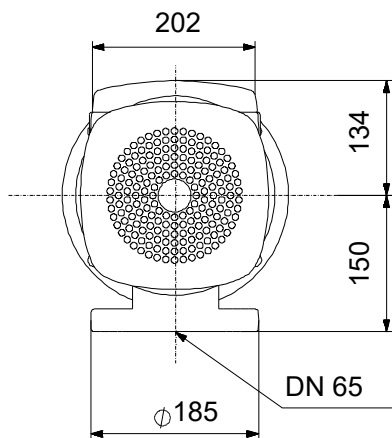
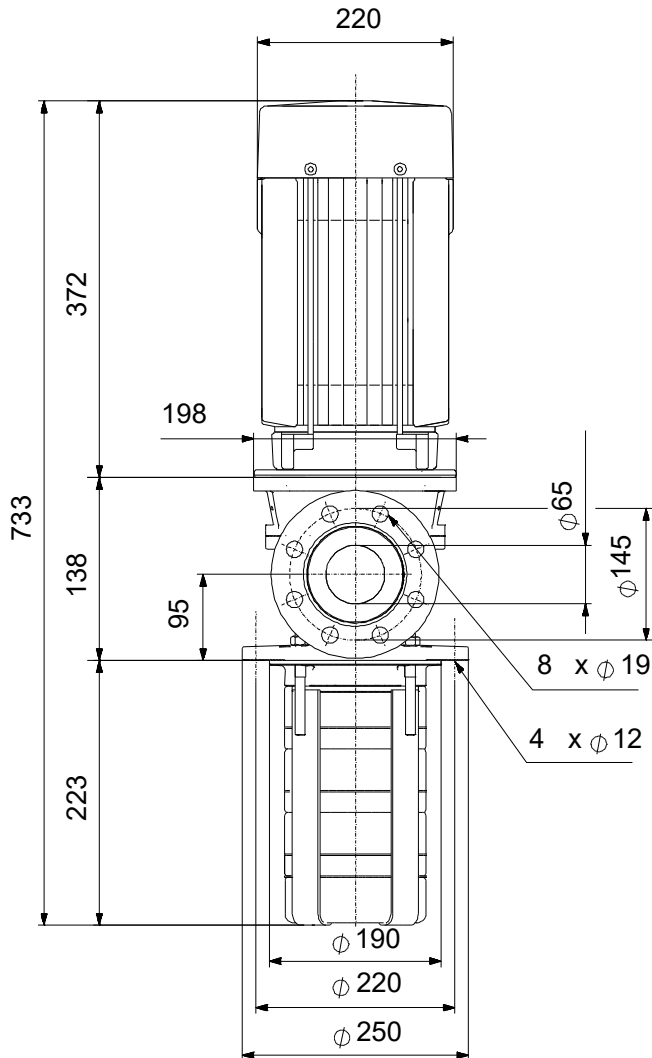


| Description | Value |
|--|--------------------------|
| General information: | |
| Product name: | MTR 32-2/2 A-F-A-HUUV |
| Product No: | On request |
| EAN number: | On request |
| Technical: | |
| Pump speed on which pump data are based: | 2917 rpm |
| Rated flow: | 500 l/min |
| Rated head: | 29.5 m |
| Chambers: | 2 |
| Impellers: | 2 |
| Number of reduced-diameter impellers: | 0 |
| Drainage back to tank: | N |
| Pump orientation: | Vertical |
| Code for shaft seal: | HUUV |
| Approvals: | CE,EAC |
| Curve tolerance: | ISO9906:2012 3B |
| Pump version: | A |
| Model: | B |
| Materials: | |
| Pump head: | Cast iron |
| Pump head: | EN 1561 EN-GJL-200 |
| Pump head: | ASTM A48-25B |
| Impeller: | Stainless steel |
| Impeller: | EN 1.4301 |
| Impeller: | AISI 304 |
| Material code: | A |
| Installation: | |
| t max amb: | 60 °C |
| Maximum operating pressure: | 25 bar |
| Max pressure at stated temp: | 25 bar / 90 °C |
| Type of connection: | DIN |
| Size of outlet connection: | DN 65 |
| Immersion depth: | 223 mm |
| Pressure rating for connection: | PN 40 |
| Flange size for motor: | FT130 |
| Connect code: | F |
| Liquid: | |
| Pumped liquid: | Water |
| Liquid temperature range: | -10 .. 90 °C |
| Selected liquid temperature: | 20 °C |
| Density: | 998.2 kg/m ³ |
| Electrical data: | |
| Motor standard: | IEC |
| Motor type: | 112MC |
| IE Efficiency class: | IE3 |
| Rated power - P2: | 4 kW |
| Mains frequency: | 50 Hz |
| Suitable for 50/60 Hz: | N |
| Rated voltage: | 3 x 380-415D V |
| Rated current: | 7.9 A |
| Starting current: | 1000-1110 % |
| Cos phi - power factor: | 0.87-0.87 |
| Rated speed: | 2920-2940 rpm |
| Efficiency: | IE3 88,1% |
| Motor efficiency at full load: | 88.1 % |
| Motor efficiency at 3/4 load: | 88.6 % |
| Motor efficiency at 1/2 load: | 85.2 % |
| Number of poles: | 2 |
| Enclosure class (IEC 34-5): | 55 Dust/Jetting |
| Insulation class (IEC 85): | F |
| Built-in motor protection: | PTC |
| Motor No: | 85U15413 |



| Description | Value |
|----------------------------------|----------------------|
| Controls: | |
| Frequency converter: | NONE |
| Others: | |
| Terminal box position: | 6 |
| Minimum efficiency index, MEI ≥: | 0.70 |
| Net weight: | 73 kg |
| Gross weight: | 89.7 kg |
| Shipping volume: | 0.169 m ³ |
| Danish VVS No.: | 386969002 |
| Country of origin: | HU |
| Custom tariff no.: | 84137075 |

On request MTR 32-2/2 A-F-A-HUUV 50 Hz



Note! All units are in [mm] unless others are stated.
Disclaimer: This simplified dimensional drawing does not show all details.

On request MTR 32-2/2 A-F-A-HUUV 50 Hz



IEC TP211 THERMALLY PROTECTED WHEN THE THERMISTORS ARE
 CONNECTED TO AMPLIFIER RELAY FOR CONTROL OF MAIN SUPPLY
 THERMISTORS PTC ACCORDING TO DIN 44082

Note! All units are in [mm] unless others are stated.

Order Data:

| Position | Your pos. | Product name | Amount | Product No | Total |
|-----------------|------------------|---------------------|---------------|-------------------|------------------|
| | | MTR 32-2/2 | 1 | On request | Price on request |
| | | | | | |
| | | | | | |
| | | | | | |
| | | | | | |
| | | | | | |
| | | | | | |
| | | | | | |
| | | | | | |
| | | | | | |
| | | | | | |
| | | | | | |
| | | | | | |
| | | | | | |
| | | | | | |
| | | | | | |
| | | | | | |
| | | | | | |
| | | | | | |
| | | | | | |
| | | | | | |
| | | | | | |
| | | | | | |
| | | | | | |