
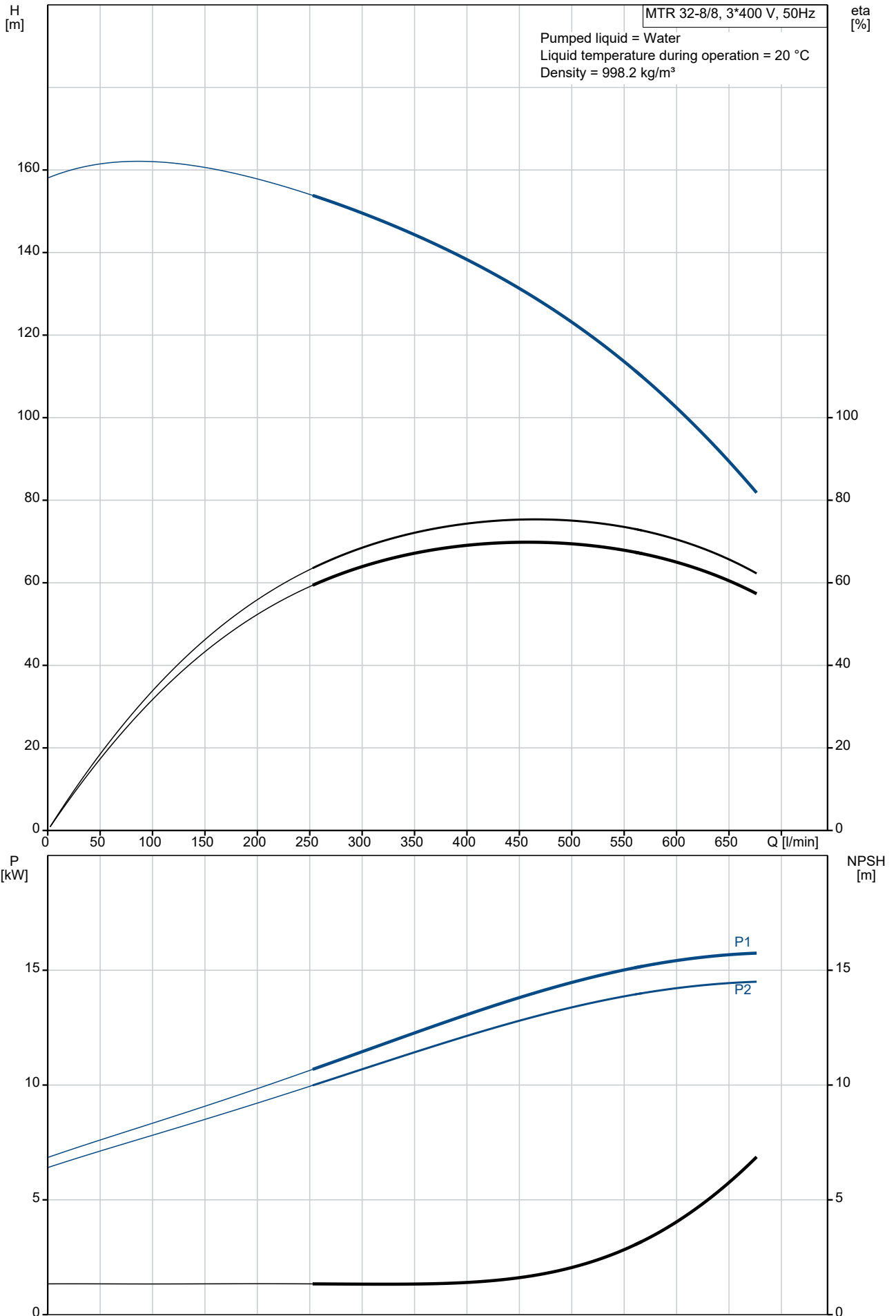


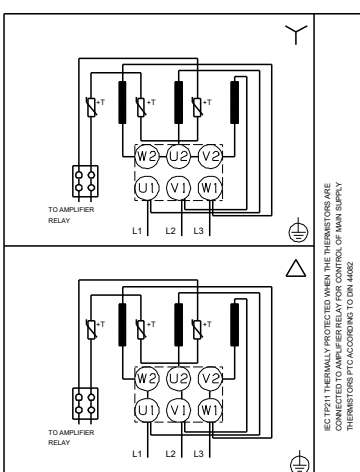
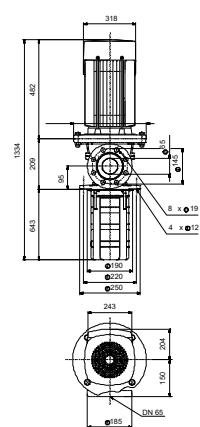
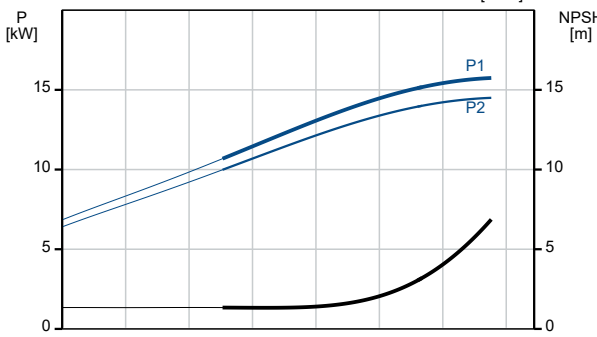
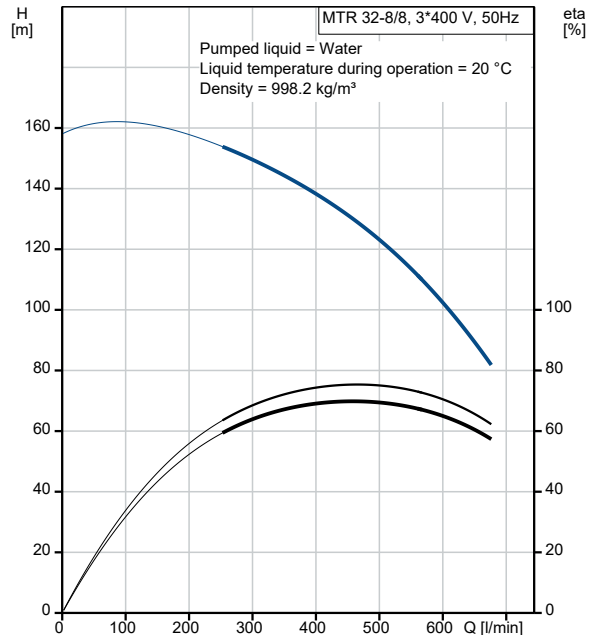
Qty.	Description
1	<p data-bbox="199 159 480 188">MTR 32-8/8 A-F-A-HUUV</p>  <p data-bbox="199 481 480 510">Product No.: On request</p> <p data-bbox="199 542 1430 620">Multistage, immersible, self-priming, centrifugal pump for vertical installation in tanks etc. The pump head and base are in cast iron – all other wetted parts are in stainless steel. The pump has the following characteristics:</p> <ul data-bbox="240 629 1117 745" style="list-style-type: none"> • Dimensions according to DIN 5440. • Impellers, intermediate chambers and spline shaft are made of Stainless steel. • Mechanical shaft seal according to EN 12756. • Power transmission via sintered metal split coupling. <p data-bbox="199 748 1430 799">A cartridge shaft seal ensures high reliability, safe handling, and easy access and service. The pump is fitted with a 3-phase, fan-cooled asynchronous motor.</p> <p data-bbox="199 835 300 864">Controls:</p> <p data-bbox="199 866 636 896">Frequency converter: NONE</p> <p data-bbox="199 925 276 954">Liquid:</p> <p data-bbox="199 956 632 985">Pumped liquid: Water</p> <p data-bbox="199 987 691 1016">Liquid temperature range: -10 .. 90 °C</p> <p data-bbox="199 1019 632 1048">Selected liquid temperature: 20 °C</p> <p data-bbox="199 1050 695 1079">Density: 998.2 kg/m³</p> <p data-bbox="199 1108 316 1137">Technical:</p> <p data-bbox="199 1140 820 1169">Pump speed on which pump data are based: 2923 rpm</p> <p data-bbox="199 1171 667 1200">Rated flow: 500 l/min</p> <p data-bbox="199 1202 632 1232">Rated head: 121 m</p> <p data-bbox="199 1234 579 1263">Chambers: 8</p> <p data-bbox="199 1265 579 1294">Drainage back to tank: N</p> <p data-bbox="199 1296 647 1326">Pump orientation: Vertical</p> <p data-bbox="199 1328 632 1357">Code for shaft seal: HUUV</p> <p data-bbox="199 1359 659 1388">Approvals: CE,EAC</p> <p data-bbox="199 1391 759 1420">Curve tolerance: ISO9906:2012 3B</p> <p data-bbox="199 1449 309 1478">Materials:</p> <p data-bbox="199 1480 802 1559">Pump head: Cast iron EN 1561 EN-GJL-200 ASTM A48-25B</p> <p data-bbox="199 1561 724 1639">Impeller: Stainless steel EN 1.4301 AISI 304</p> <p data-bbox="199 1668 325 1697">Installation:</p> <p data-bbox="199 1700 632 1729">t max amb: 60 °C</p> <p data-bbox="199 1731 638 1760">Maximum operating pressure: 25 bar</p> <p data-bbox="199 1762 718 1792">Max pressure at stated temp: 25 bar / 90 °C</p> <p data-bbox="199 1794 611 1823">Type of connection: DIN</p> <p data-bbox="199 1825 636 1854">Size of outlet connection: DN 65</p> <p data-bbox="199 1856 655 1886">Immersion depth: 643 mm</p> <p data-bbox="199 1888 636 1917">Pressure rating for connection: PN 40</p> <p data-bbox="199 1919 636 1948">Flange size for motor: FF300</p> <p data-bbox="199 1977 363 2007">Electrical data:</p> <p data-bbox="199 2009 608 2038">Motor standard: IEC</p> <p data-bbox="199 2040 644 2069">Motor type: 160MD</p> <p data-bbox="199 2072 604 2101">IE Efficiency class: IE3</p>

Qty.	Description																																																		
1	<table> <tr> <td>Rated power - P2:</td> <td>15 kW</td> </tr> <tr> <td>Mains frequency:</td> <td>50 Hz</td> </tr> <tr> <td>Suitable for 50/60 Hz:</td> <td>N</td> </tr> <tr> <td>Rated voltage:</td> <td>3 x 380-415D/660-690Y V</td> </tr> <tr> <td>Rated current:</td> <td>28,0-26,0/16,2-15,6 A</td> </tr> <tr> <td>Starting current:</td> <td>660-780 %</td> </tr> <tr> <td>Cos phi - power factor:</td> <td>0.89-0.87</td> </tr> <tr> <td>Rated speed:</td> <td>2930-2950 rpm</td> </tr> <tr> <td>Efficiency:</td> <td>IE3 91,9%</td> </tr> <tr> <td>Motor efficiency at full load:</td> <td>91.9-91.9 %</td> </tr> <tr> <td>Motor efficiency at 3/4 load:</td> <td>92.4 %</td> </tr> <tr> <td>Motor efficiency at 1/2 load:</td> <td>92.4 %</td> </tr> <tr> <td>Number of poles:</td> <td>2</td> </tr> <tr> <td>Enclosure class (IEC 34-5):</td> <td>55 Dust/Jetting</td> </tr> <tr> <td>Insulation class (IEC 85):</td> <td>F</td> </tr> <tr> <td>Motor No:</td> <td>85U17526</td> </tr> <tr> <td colspan="2">Others:</td> </tr> <tr> <td>Terminal box position:</td> <td>6</td> </tr> <tr> <td>Minimum efficiency index, MEI ≥:</td> <td>0.70</td> </tr> <tr> <td>Net weight:</td> <td>148 kg</td> </tr> <tr> <td>Gross weight:</td> <td>173 kg</td> </tr> <tr> <td>Shipping volume:</td> <td>0.479 m³</td> </tr> <tr> <td>Danish VVS No.:</td> <td>386969008</td> </tr> <tr> <td>Country of origin:</td> <td>HU</td> </tr> <tr> <td>Custom tariff no.:</td> <td>84137075</td> </tr> </table>	Rated power - P2:	15 kW	Mains frequency:	50 Hz	Suitable for 50/60 Hz:	N	Rated voltage:	3 x 380-415D/660-690Y V	Rated current:	28,0-26,0/16,2-15,6 A	Starting current:	660-780 %	Cos phi - power factor:	0.89-0.87	Rated speed:	2930-2950 rpm	Efficiency:	IE3 91,9%	Motor efficiency at full load:	91.9-91.9 %	Motor efficiency at 3/4 load:	92.4 %	Motor efficiency at 1/2 load:	92.4 %	Number of poles:	2	Enclosure class (IEC 34-5):	55 Dust/Jetting	Insulation class (IEC 85):	F	Motor No:	85U17526	Others:		Terminal box position:	6	Minimum efficiency index, MEI ≥:	0.70	Net weight:	148 kg	Gross weight:	173 kg	Shipping volume:	0.479 m ³	Danish VVS No.:	386969008	Country of origin:	HU	Custom tariff no.:	84137075
Rated power - P2:	15 kW																																																		
Mains frequency:	50 Hz																																																		
Suitable for 50/60 Hz:	N																																																		
Rated voltage:	3 x 380-415D/660-690Y V																																																		
Rated current:	28,0-26,0/16,2-15,6 A																																																		
Starting current:	660-780 %																																																		
Cos phi - power factor:	0.89-0.87																																																		
Rated speed:	2930-2950 rpm																																																		
Efficiency:	IE3 91,9%																																																		
Motor efficiency at full load:	91.9-91.9 %																																																		
Motor efficiency at 3/4 load:	92.4 %																																																		
Motor efficiency at 1/2 load:	92.4 %																																																		
Number of poles:	2																																																		
Enclosure class (IEC 34-5):	55 Dust/Jetting																																																		
Insulation class (IEC 85):	F																																																		
Motor No:	85U17526																																																		
Others:																																																			
Terminal box position:	6																																																		
Minimum efficiency index, MEI ≥:	0.70																																																		
Net weight:	148 kg																																																		
Gross weight:	173 kg																																																		
Shipping volume:	0.479 m ³																																																		
Danish VVS No.:	386969008																																																		
Country of origin:	HU																																																		
Custom tariff no.:	84137075																																																		

On request MTR 32-8/8 A-F-A-HUUV 50 Hz

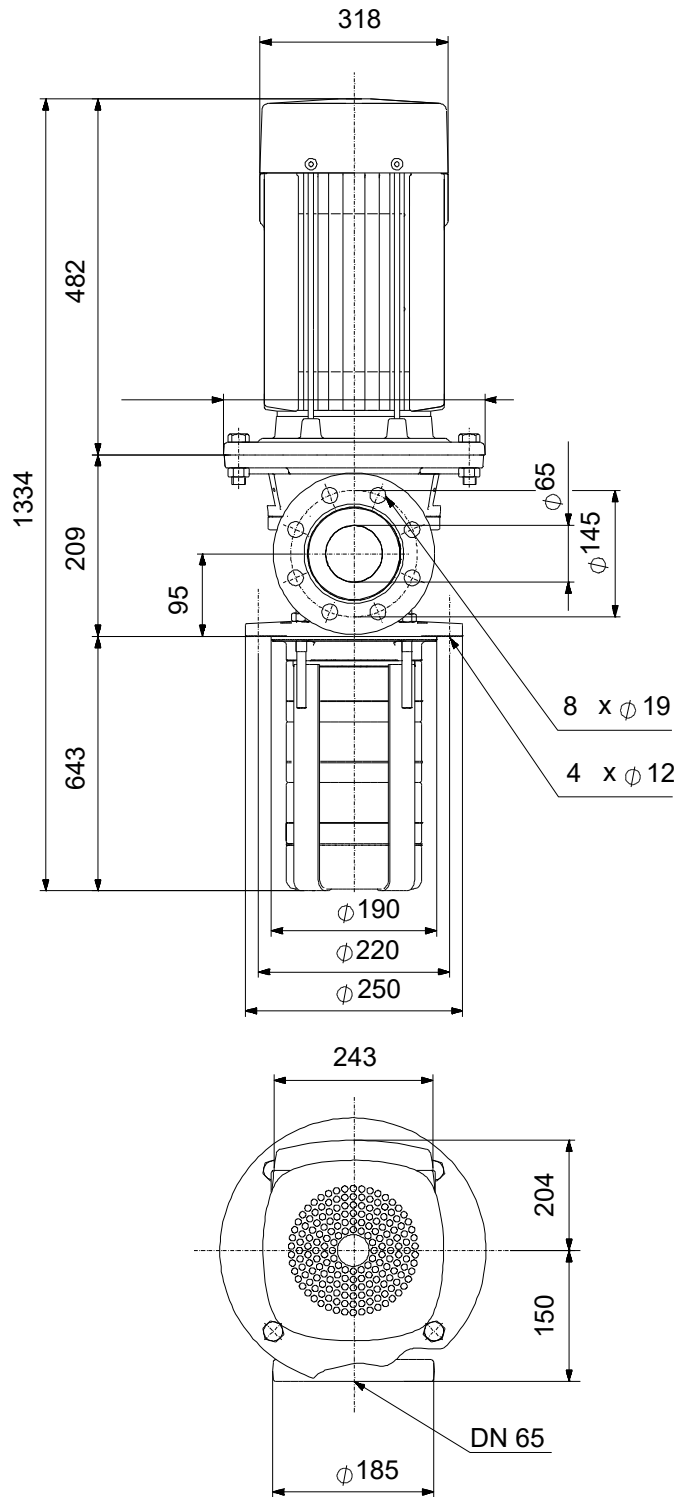


Description	Value
General information:	
Product name:	MTR 32-8/8 A-F-A-HUUV
Product No:	On request
EAN number:	On request
Technical:	
Pump speed on which pump data are based:	2923 rpm
Rated flow:	500 l/min
Rated head:	121 m
Chambers:	8
Impellers:	8
Number of reduced-diameter impellers:	0
Drainage back to tank:	N
Pump orientation:	Vertical
Code for shaft seal:	HUUV
Approvals:	CE,EAC
Curve tolerance:	ISO9906:2012 3B
Pump version:	A
Model:	B
Materials:	
Pump head:	Cast iron
Pump head:	EN 1561 EN-GJL-200
Pump head:	ASTM A48-25B
Impeller:	Stainless steel
Impeller:	EN 1.4301
Impeller:	AISI 304
Material code:	A
Installation:	
t max amb:	60 °C
Maximum operating pressure:	25 bar
Max pressure at stated temp:	25 bar / 90 °C
Type of connection:	DIN
Size of outlet connection:	DN 65
Immersion depth:	643 mm
Pressure rating for connection:	PN 40
Flange size for motor:	FF300
Connect code:	F
Liquid:	
Pumped liquid:	Water
Liquid temperature range:	-10 .. 90 °C
Selected liquid temperature:	20 °C
Density:	998.2 kg/m ³
Electrical data:	
Motor standard:	IEC
Motor type:	160MD
IE Efficiency class:	IE3
Rated power - P2:	15 kW
Mains frequency:	50 Hz
Suitable for 50/60 Hz:	N
Rated voltage:	3 x 380-415D/660-690Y V
Rated current:	28,0-26,0/16,2-15,6 A
Starting current:	660-780 %
Cos phi - power factor:	0.89-0.87
Rated speed:	2930-2950 rpm
Efficiency:	IE3 91,9%
Motor efficiency at full load:	91.9-91.9 %
Motor efficiency at 3/4 load:	92.4 %
Motor efficiency at 1/2 load:	92.4 %
Number of poles:	2
Enclosure class (IEC 34-5):	55 Dust/Jetting
Insulation class (IEC 85):	F
Built-in motor protection:	PTC
Motor No:	85U17526



Description	Value
Controls:	
Frequency converter:	NONE
Others:	
Terminal box position:	6
Minimum efficiency index, MEI ≥:	0.70
Net weight:	148 kg
Gross weight:	173 kg
Shipping volume:	0.479 m ³
Danish VVS No.:	386969008
Country of origin:	HU
Custom tariff no.:	84137075

On request MTR 32-8/8 A-F-A-HUUV 50 Hz



Note! All units are in [mm] unless others are stated.
Disclaimer: This simplified dimensional drawing does not show all details.

On request MTR 32-8/8 A-F-A-HUUV 50 Hz



IEC TP211 THERMALLY PROTECTED WHEN THE THERMISTORS ARE
 CONNECTED TO AMPLIFIER RELAY FOR CONTROL OF MAIN SUPPLY
 THERMISTORS PTC ACCORDING TO DIN 44082

Note! All units are in [mm] unless others are stated.

Order Data:

Position	Your pos.	Product name	Amount	Product No	Total
		MTR 32-8/8	1	On request	Price on request