
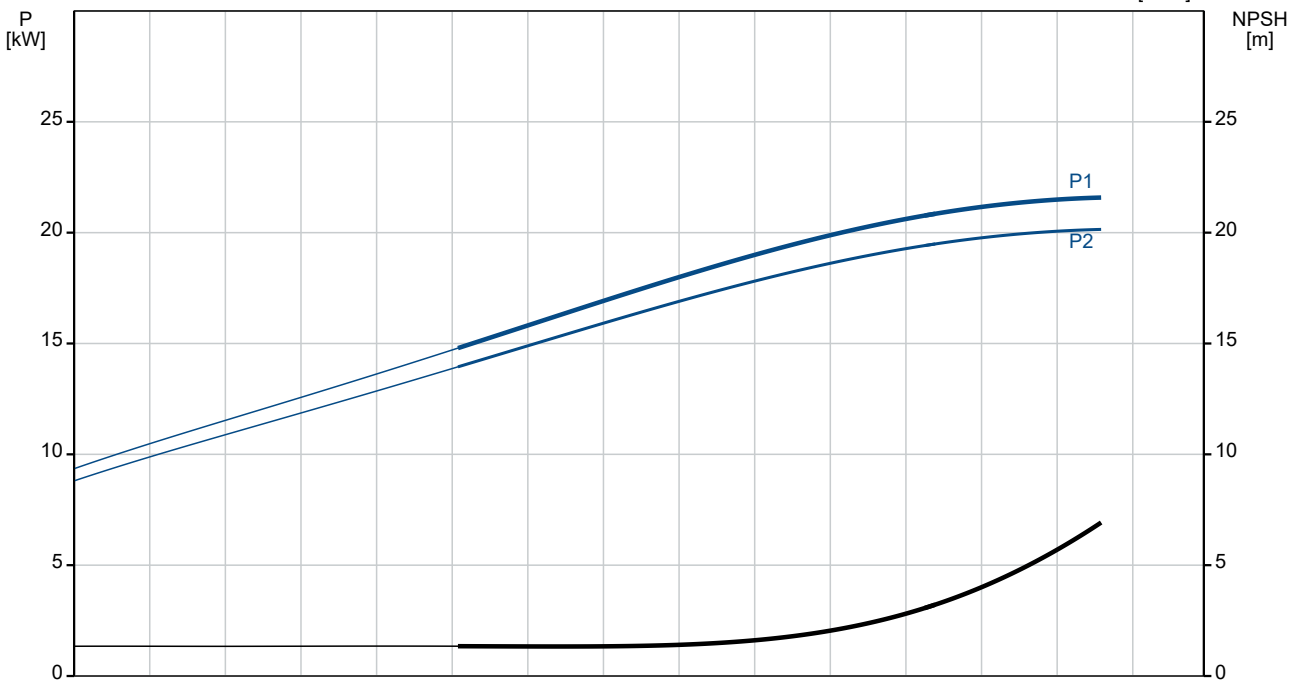
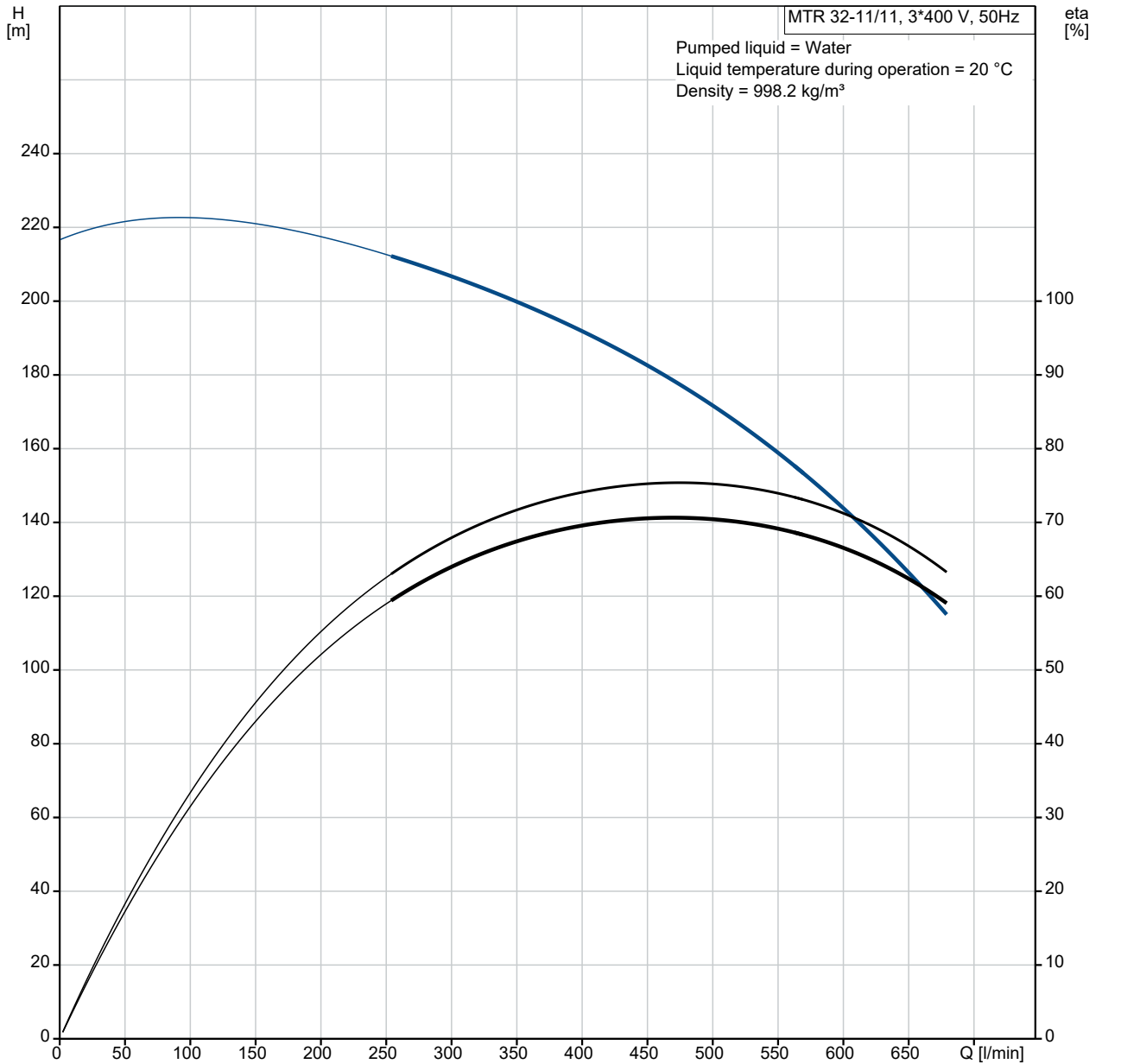


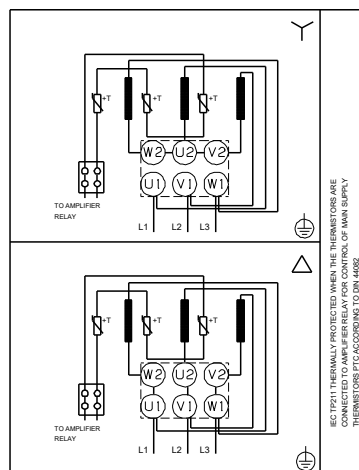
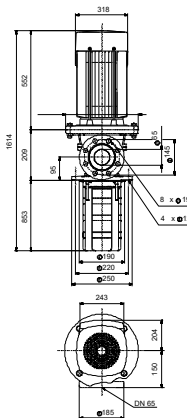
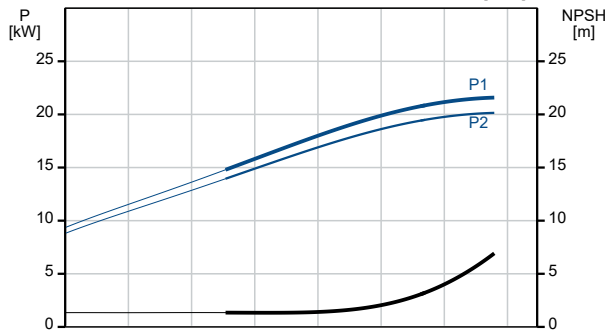
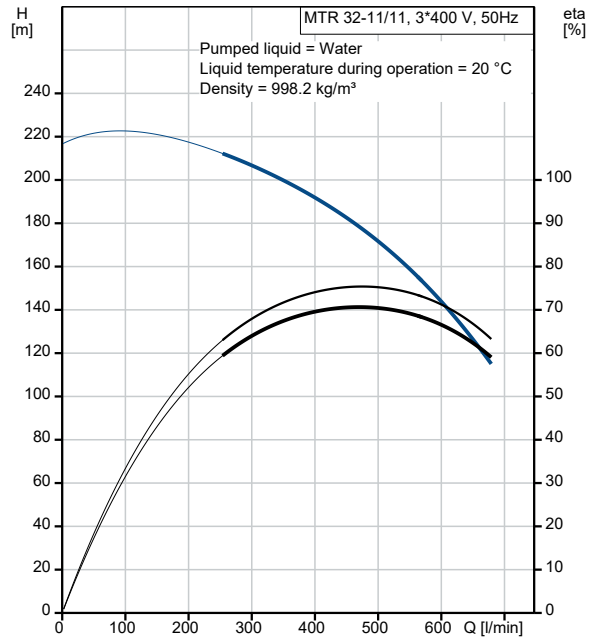
Qty.	Description
1	<p data-bbox="199 159 507 188">MTR 32-11/11 A-F-A-HUUV</p>  <p data-bbox="592 506 1066 530">Note! Product picture may differ from actual product</p> <p data-bbox="199 539 480 564">Product No.: On request</p> <p data-bbox="199 600 1430 678">Multistage, immersible, self-priming, centrifugal pump for vertical installation in tanks etc. The pump head and base are in cast iron – all other wetted parts are in stainless steel. The pump has the following characteristics:</p> <ul data-bbox="240 687 1117 801" style="list-style-type: none"> • Dimensions according to DIN 5440. • Impellers, intermediate chambers and spline shaft are made of Stainless steel. • Mechanical shaft seal according to EN 12756. • Power transmission via sintered metal split coupling. <p data-bbox="199 804 1430 857">A cartridge shaft seal ensures high reliability, safe handling, and easy access and service. The pump is fitted with a 3-phase, fan-cooled asynchronous motor.</p> <p data-bbox="199 893 300 918">Controls:</p> <p data-bbox="199 922 638 947">Frequency converter: NONE</p> <p data-bbox="199 983 276 1008">Liquid:</p> <p data-bbox="199 1012 692 1126">Pumped liquid: Water Liquid temperature range: -10 .. 90 °C Selected liquid temperature: 20 °C Density: 998.2 kg/m³</p> <p data-bbox="199 1162 316 1187">Technical:</p> <p data-bbox="199 1191 820 1453">Pump speed on which pump data are based: 2947 rpm Rated flow: 500 l/min Rated head: 169.2 m Chambers: 11 Drainage back to tank: N Pump orientation: Vertical Code for shaft seal: HUUV Approvals: CE,EAC Curve tolerance: ISO9906:2012 3B</p> <p data-bbox="199 1489 309 1514">Materials:</p> <p data-bbox="199 1518 802 1691">Pump head: Cast iron EN 1561 EN-GJL-200 ASTM A48-25B Impeller: Stainless steel EN 1.4301 AISI 304</p> <p data-bbox="199 1727 325 1751">Installation:</p> <p data-bbox="199 1756 718 1991">t max amb: 60 °C Maximum operating pressure: 25 bar Max pressure at stated temp: 25 bar / 90 °C Type of connection: DIN Size of outlet connection: DN 65 Immersion depth: 853 mm Pressure rating for connection: PN 40 Flange size for motor: FF300</p> <p data-bbox="199 2027 363 2051">Electrical data:</p> <p data-bbox="199 2056 608 2080">Motor standard: IEC</p>

Qty.	Description																																																						
1	<table> <tr> <td>Motor type:</td> <td>180MB</td> </tr> <tr> <td>IE Efficiency class:</td> <td>IE3</td> </tr> <tr> <td>Rated power - P2:</td> <td>22 kW</td> </tr> <tr> <td>Mains frequency:</td> <td>50 Hz</td> </tr> <tr> <td>Suitable for 50/60 Hz:</td> <td>N</td> </tr> <tr> <td>Rated voltage:</td> <td>3 x 380-415D/660-690Y V</td> </tr> <tr> <td>Rated current:</td> <td>39.5/22.8 A</td> </tr> <tr> <td>Starting current:</td> <td>830 %</td> </tr> <tr> <td>Cos phi - power factor:</td> <td>0.90-0.90</td> </tr> <tr> <td>Rated speed:</td> <td>2950 rpm</td> </tr> <tr> <td>Efficiency:</td> <td>IE3 92,7%</td> </tr> <tr> <td>Motor efficiency at full load:</td> <td>92.7-92.7 %</td> </tr> <tr> <td>Motor efficiency at 3/4 load:</td> <td>93.7 %</td> </tr> <tr> <td>Motor efficiency at 1/2 load:</td> <td>94.4 %</td> </tr> <tr> <td>Number of poles:</td> <td>2</td> </tr> <tr> <td>Enclosure class (IEC 34-5):</td> <td>55 Dust/Jetting</td> </tr> <tr> <td>Insulation class (IEC 85):</td> <td>F</td> </tr> <tr> <td>Motor No:</td> <td>85U17530</td> </tr> <tr> <td colspan="2">Others:</td> </tr> <tr> <td>Terminal box position:</td> <td>6</td> </tr> <tr> <td>Minimum efficiency index, MEI ≥:</td> <td>0.70</td> </tr> <tr> <td>Net weight:</td> <td>177 kg</td> </tr> <tr> <td>Gross weight:</td> <td>203 kg</td> </tr> <tr> <td>Shipping volume:</td> <td>0.608 m³</td> </tr> <tr> <td>Danish VVS No.:</td> <td>386969011</td> </tr> <tr> <td>Country of origin:</td> <td>HU</td> </tr> <tr> <td>Custom tariff no.:</td> <td>84137075</td> </tr> </table>	Motor type:	180MB	IE Efficiency class:	IE3	Rated power - P2:	22 kW	Mains frequency:	50 Hz	Suitable for 50/60 Hz:	N	Rated voltage:	3 x 380-415D/660-690Y V	Rated current:	39.5/22.8 A	Starting current:	830 %	Cos phi - power factor:	0.90-0.90	Rated speed:	2950 rpm	Efficiency:	IE3 92,7%	Motor efficiency at full load:	92.7-92.7 %	Motor efficiency at 3/4 load:	93.7 %	Motor efficiency at 1/2 load:	94.4 %	Number of poles:	2	Enclosure class (IEC 34-5):	55 Dust/Jetting	Insulation class (IEC 85):	F	Motor No:	85U17530	Others:		Terminal box position:	6	Minimum efficiency index, MEI ≥:	0.70	Net weight:	177 kg	Gross weight:	203 kg	Shipping volume:	0.608 m ³	Danish VVS No.:	386969011	Country of origin:	HU	Custom tariff no.:	84137075
Motor type:	180MB																																																						
IE Efficiency class:	IE3																																																						
Rated power - P2:	22 kW																																																						
Mains frequency:	50 Hz																																																						
Suitable for 50/60 Hz:	N																																																						
Rated voltage:	3 x 380-415D/660-690Y V																																																						
Rated current:	39.5/22.8 A																																																						
Starting current:	830 %																																																						
Cos phi - power factor:	0.90-0.90																																																						
Rated speed:	2950 rpm																																																						
Efficiency:	IE3 92,7%																																																						
Motor efficiency at full load:	92.7-92.7 %																																																						
Motor efficiency at 3/4 load:	93.7 %																																																						
Motor efficiency at 1/2 load:	94.4 %																																																						
Number of poles:	2																																																						
Enclosure class (IEC 34-5):	55 Dust/Jetting																																																						
Insulation class (IEC 85):	F																																																						
Motor No:	85U17530																																																						
Others:																																																							
Terminal box position:	6																																																						
Minimum efficiency index, MEI ≥:	0.70																																																						
Net weight:	177 kg																																																						
Gross weight:	203 kg																																																						
Shipping volume:	0.608 m ³																																																						
Danish VVS No.:	386969011																																																						
Country of origin:	HU																																																						
Custom tariff no.:	84137075																																																						

On request MTR 32-11/11 A-F-A-HUUV 50 Hz

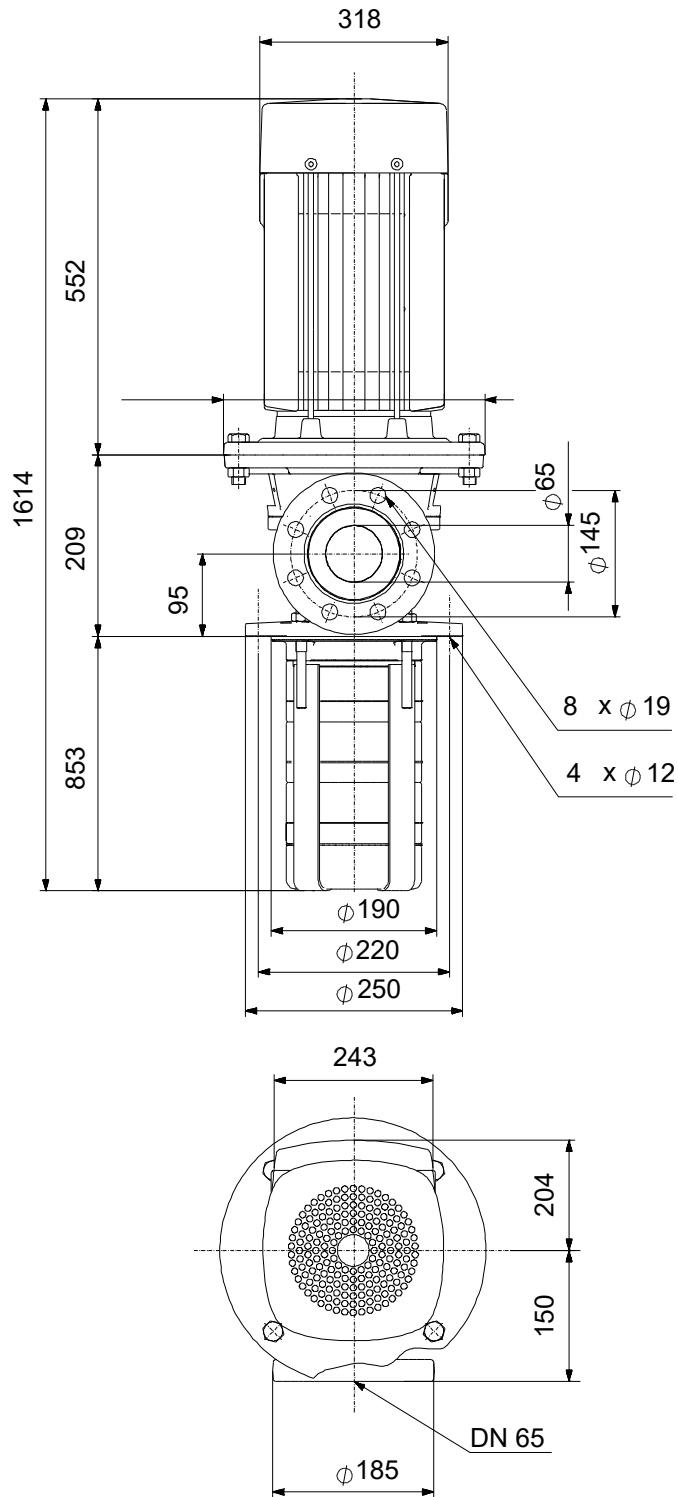


Description	Value
General information:	
Product name:	MTR 32-11/11 A-F-A-HUUU
Product No:	On request
EAN number:	On request
Technical:	
Pump speed on which pump data are based:	2947 rpm
Rated flow:	500 l/min
Rated head:	169.2 m
Chambers:	11
Impellers:	11
Number of reduced-diameter impellers:	0
Drainage back to tank:	N
Pump orientation:	Vertical
Code for shaft seal:	HUUU
Approvals:	CE,EAC
Curve tolerance:	ISO9906:2012 3B
Pump version:	A
Model:	B
Materials:	
Pump head:	Cast iron
Pump head:	EN 1561 EN-GJL-200
Pump head:	ASTM A48-25B
Impeller:	Stainless steel
Impeller:	EN 1.4301
Impeller:	AISI 304
Material code:	A
Installation:	
t max amb:	60 °C
Maximum operating pressure:	25 bar
Max pressure at stated temp:	25 bar / 90 °C
Type of connection:	DIN
Size of outlet connection:	DN 65
Immersion depth:	853 mm
Pressure rating for connection:	PN 40
Flange size for motor:	FF300
Connect code:	F
Liquid:	
Pumped liquid:	Water
Liquid temperature range:	-10 .. 90 °C
Selected liquid temperature:	20 °C
Density:	998.2 kg/m ³
Electrical data:	
Motor standard:	IEC
Motor type:	180MB
IE Efficiency class:	IE3
Rated power - P2:	22 kW
Mains frequency:	50 Hz
Suitable for 50/60 Hz:	N
Rated voltage:	3 x 380-415D/660-690Y V
Rated current:	39.5/22.8 A
Starting current:	830 %
Cos phi - power factor:	0.90-0.90
Rated speed:	2950 rpm
Efficiency:	IE3 92,7%
Motor efficiency at full load:	92.7-92.7 %
Motor efficiency at 3/4 load:	93.7 %
Motor efficiency at 1/2 load:	94.4 %
Number of poles:	2
Enclosure class (IEC 34-5):	55 Dust/Jetting
Insulation class (IEC 85):	F
Built-in motor protection:	PTC
Motor No:	85U17530



Description	Value
Controls:	
Frequency converter:	NONE
Others:	
Terminal box position:	6
Minimum efficiency index, MEI ≥:	0.70
Net weight:	177 kg
Gross weight:	203 kg
Shipping volume:	0.608 m ³
Danish VVS No.:	386969011
Country of origin:	HU
Custom tariff no.:	84137075

On request MTR 32-11/11 A-F-A-HUUV 50 Hz



Note! All units are in [mm] unless others are stated.
Disclaimer: This simplified dimensional drawing does not show all details.

On request MTR 32-11/11 A-F-A-HUUV 50 Hz



IEC TP211 THERMALLY PROTECTED WHEN THE THERMISTORS ARE
 CONNECTED TO AMPLIFIER RELAY FOR CONTROL OF MAIN SUPPLY
 THERMISTORS PTC ACCORDING TO DIN 44082

Note! All units are in [mm] unless others are stated.

