
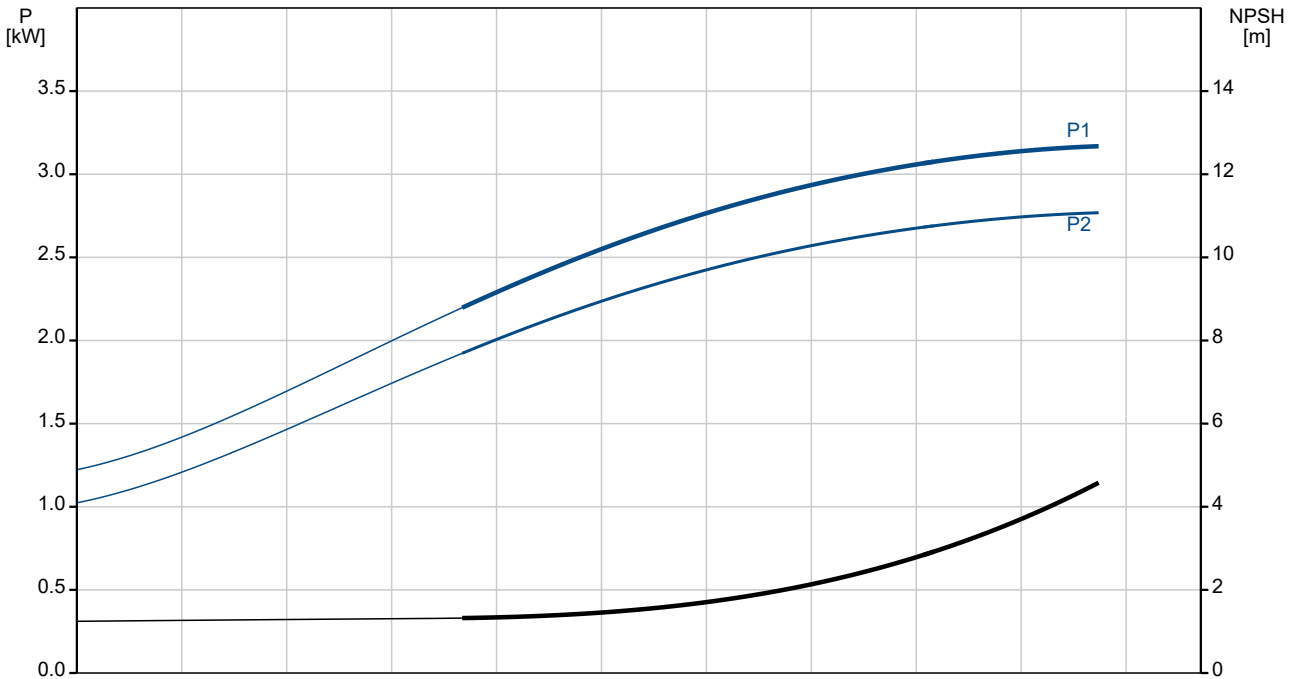
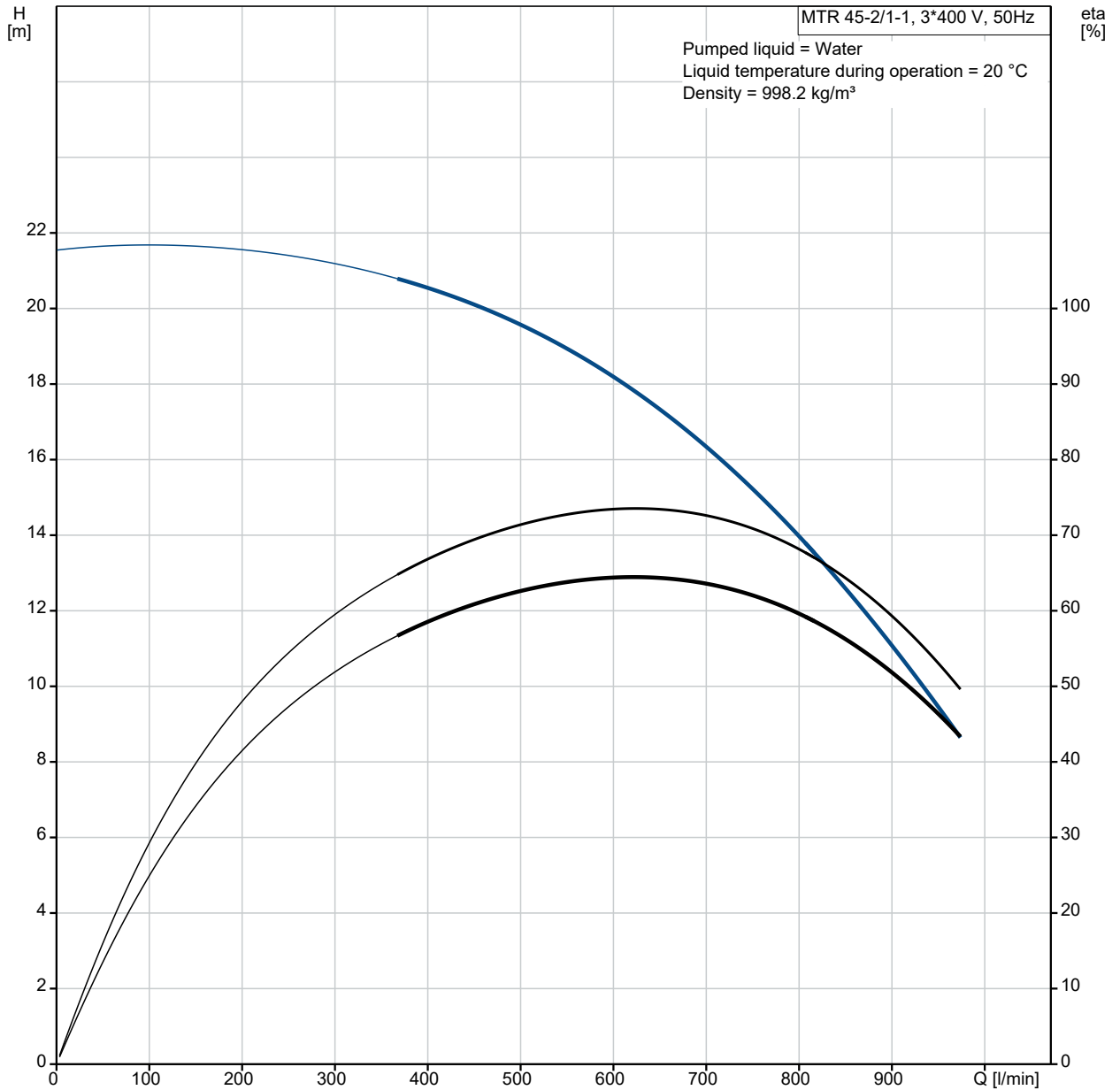


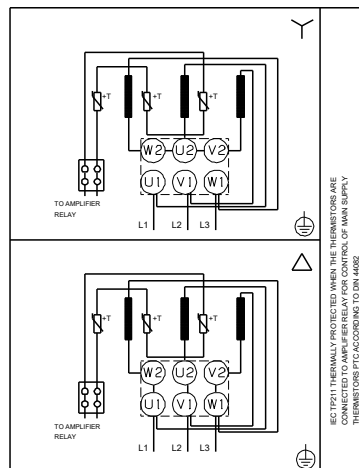
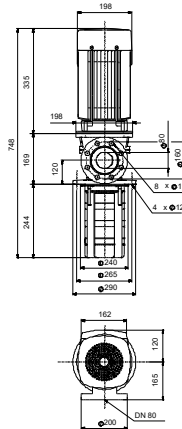
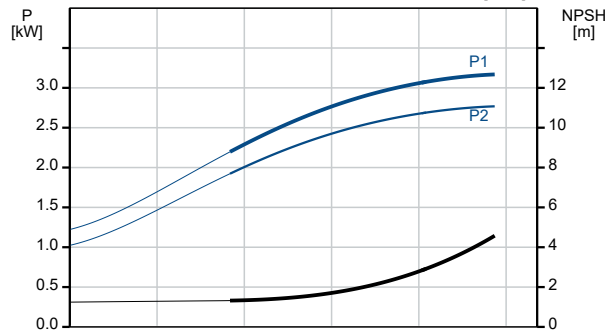
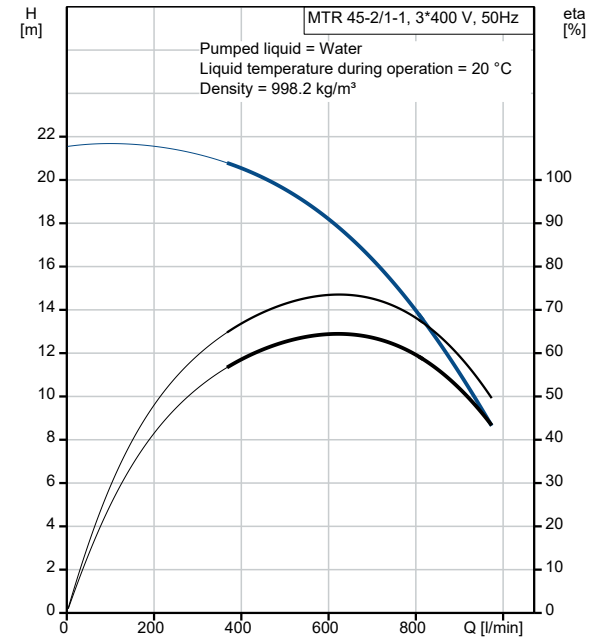
Qty.	Description
1	<p data-bbox="199 159 502 188">MTR 45-2/1-1 A-F-A-HUUV</p>  <p data-bbox="199 483 480 512">Product No.: On request</p> <p data-bbox="199 544 1430 622">Multistage, immersible, self-priming, centrifugal pump for vertical installation in tanks etc. The pump head and base are in cast iron – all other wetted parts are in stainless steel. The pump has the following characteristics:</p> <ul data-bbox="240 629 1117 745" style="list-style-type: none"> • Dimensions according to DIN 5440. • Impellers, intermediate chambers and spline shaft are made of Stainless steel. • Mechanical shaft seal according to EN 12756. • Power transmission via sintered metal split coupling. <p data-bbox="199 750 1430 801">A cartridge shaft seal ensures high reliability, safe handling, and easy access and service. The pump is fitted with a 3-phase, fan-cooled asynchronous motor.</p> <p data-bbox="199 837 300 866">Controls:</p> <p data-bbox="199 869 638 898">Frequency converter: NONE</p> <p data-bbox="199 927 276 956">Liquid:</p> <p data-bbox="199 958 635 987">Pumped liquid: Water</p> <p data-bbox="199 990 691 1019">Liquid temperature range: -10 .. 90 °C</p> <p data-bbox="199 1021 630 1050">Selected liquid temperature: 20 °C</p> <p data-bbox="199 1052 695 1081">Density: 998.2 kg/m³</p> <p data-bbox="199 1111 316 1140">Technical:</p> <p data-bbox="199 1142 820 1171">Pump speed on which pump data are based: 2902 rpm</p> <p data-bbox="199 1173 667 1202">Rated flow: 750 l/min</p> <p data-bbox="199 1205 643 1234">Rated head: 14.3 m</p> <p data-bbox="199 1236 582 1265">Chambers: 2</p> <p data-bbox="199 1267 582 1296">Drainage back to tank: N</p> <p data-bbox="199 1299 647 1328">Pump orientation: Vertical</p> <p data-bbox="199 1330 638 1359">Code for shaft seal: HUUV</p> <p data-bbox="199 1361 659 1391">Approvals: CE,EAC</p> <p data-bbox="199 1393 759 1422">Curve tolerance: ISO9906:2012 3B</p> <p data-bbox="199 1451 309 1480">Materials:</p> <p data-bbox="199 1482 802 1561">Pump head: Cast iron EN 1561 EN-GJL-200 ASTM A48-25B</p> <p data-bbox="199 1563 724 1641">Impeller: Stainless steel EN 1.4301 AISI 304</p> <p data-bbox="199 1671 327 1700">Installation:</p> <p data-bbox="199 1702 630 1731">t max amb: 60 °C</p> <p data-bbox="199 1733 638 1762">Maximum operating pressure: 25 bar</p> <p data-bbox="199 1765 718 1794">Max pressure at stated temp: 25 bar / 90 °C</p> <p data-bbox="199 1796 611 1825">Type of connection: DIN</p> <p data-bbox="199 1827 638 1856">Size of outlet connection: DN 80</p> <p data-bbox="199 1859 655 1888">Immersion depth: 244 mm</p> <p data-bbox="199 1890 638 1919">Pressure rating for connection: PN 40</p> <p data-bbox="199 1921 638 1951">Flange size for motor: FT130</p> <p data-bbox="199 1980 363 2009">Electrical data:</p> <p data-bbox="199 2011 611 2040">Motor standard: IEC</p> <p data-bbox="199 2042 638 2072">Motor type: 100LC</p> <p data-bbox="199 2074 611 2103">IE Efficiency class: IE3</p>

Qty.	Description
1	<p>Rated power - P2: 3 kW Mains frequency: 50 Hz Suitable for 50/60 Hz: N Rated voltage: 3 x 380-415D V Rated current: 6.3 A Starting current: 840-920 % Cos phi - power factor: 0.87-0.82 Rated speed: 2900-2920 rpm Efficiency: IE3 87,1% Motor efficiency at full load: 87.1 % Motor efficiency at 3/4 load: 88.0 % Motor efficiency at 1/2 load: 87.7 % Number of poles: 2 Enclosure class (IEC 34-5): 55 Dust/Jetting Insulation class (IEC 85): F Motor No: 85U15510</p> <p>Others: Terminal box position: 6 Minimum efficiency index, MEI \geq: 0.70 Net weight: 70.9 kg Gross weight: 87.6 kg Shipping volume: 0.169 m³ Country of origin: HU Custom tariff no.: 84137075</p>

On request MTR 45-2/1-1 A-F-A-HUUV 50 Hz

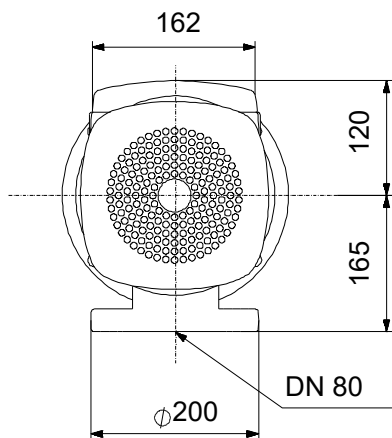
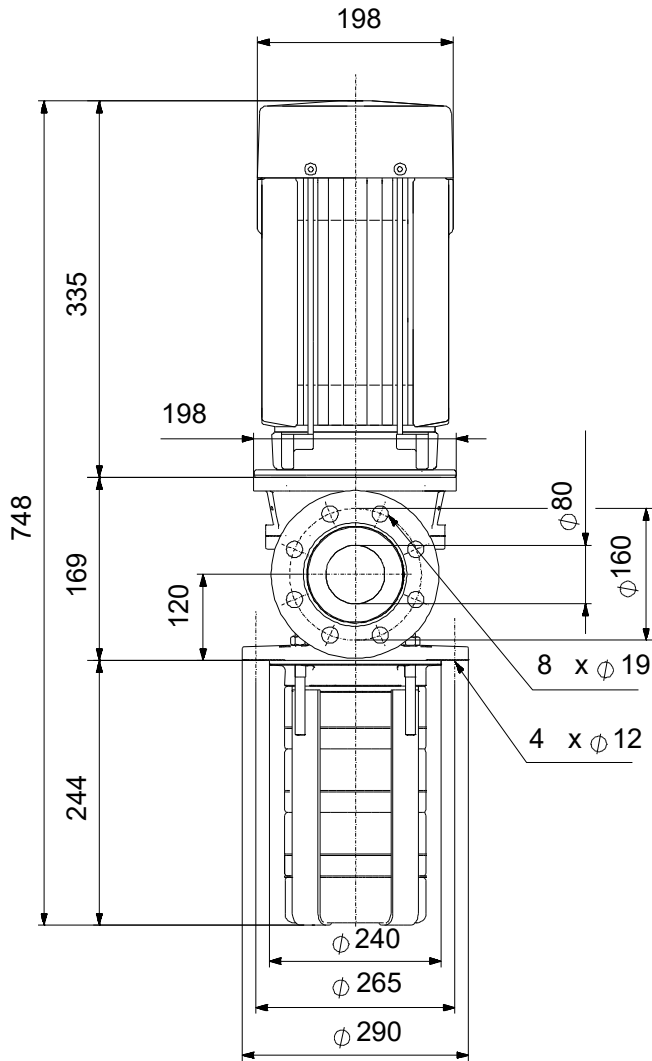


Description	Value
General information:	
Product name:	MTR 45-2/1-1 A-F-A-HUUV
Product No:	On request
EAN number:	On request
Technical:	
Pump speed on which pump data are based:	2902 rpm
Rated flow:	750 l/min
Rated head:	14.3 m
Chambers:	2
Impellers:	1
Number of reduced-diameter impellers:	1
Drainage back to tank:	N
Pump orientation:	Vertical
Code for shaft seal:	HUUV
Approvals:	CE,EAC
Curve tolerance:	ISO9906:2012 3B
Pump version:	A
Model:	B
Materials:	
Pump head:	Cast iron
Pump head:	EN 1561 EN-GJL-200
Pump head:	ASTM A48-25B
Impeller:	Stainless steel
Impeller:	EN 1.4301
Impeller:	AISI 304
Material code:	A
Installation:	
t max amb:	60 °C
Maximum operating pressure:	25 bar
Max pressure at stated temp:	25 bar / 90 °C
Type of connection:	DIN
Size of outlet connection:	DN 80
Immersion depth:	244 mm
Pressure rating for connection:	PN 40
Flange size for motor:	FT130
Connect code:	F
Liquid:	
Pumped liquid:	Water
Liquid temperature range:	-10 .. 90 °C
Selected liquid temperature:	20 °C
Density:	998.2 kg/m ³
Electrical data:	
Motor standard:	IEC
Motor type:	100LC
IE Efficiency class:	IE3
Rated power - P2:	3 kW
Mains frequency:	50 Hz
Suitable for 50/60 Hz:	N
Rated voltage:	3 x 380-415D V
Rated current:	6.3 A
Starting current:	840-920 %
Cos phi - power factor:	0.87-0.82
Rated speed:	2900-2920 rpm
Efficiency:	IE3 87,1%
Motor efficiency at full load:	87.1 %
Motor efficiency at 3/4 load:	88.0 %
Motor efficiency at 1/2 load:	87.7 %
Number of poles:	2
Enclosure class (IEC 34-5):	55 Dust/Jetting
Insulation class (IEC 85):	F
Built-in motor protection:	PTC
Motor No:	85U15510



Description	Value
Controls:	
Frequency converter:	NONE
Others:	
Terminal box position:	6
Minimum efficiency index, MEI ≥:	0.70
Net weight:	70.9 kg
Gross weight:	87.6 kg
Shipping volume:	0.169 m ³
Country of origin:	HU
Custom tariff no.:	84137075

On request MTR 45-2/1-1 A-F-A-HUUV 50 Hz



Note! All units are in [mm] unless others are stated.
Disclaimer: This simplified dimensional drawing does not show all details.

On request MTR 45-2/1-1 A-F-A-HUUV 50 Hz



IEC TP211 THERMALLY PROTECTED WHEN THE THERMISTORS ARE
CONNECTED TO AMPLIFIER RELAY FOR CONTROL OF MAIN SUPPLY
THERMISTORS PTC ACCORDING TO DIN 44082

Note! All units are in [mm] unless others are stated.

