
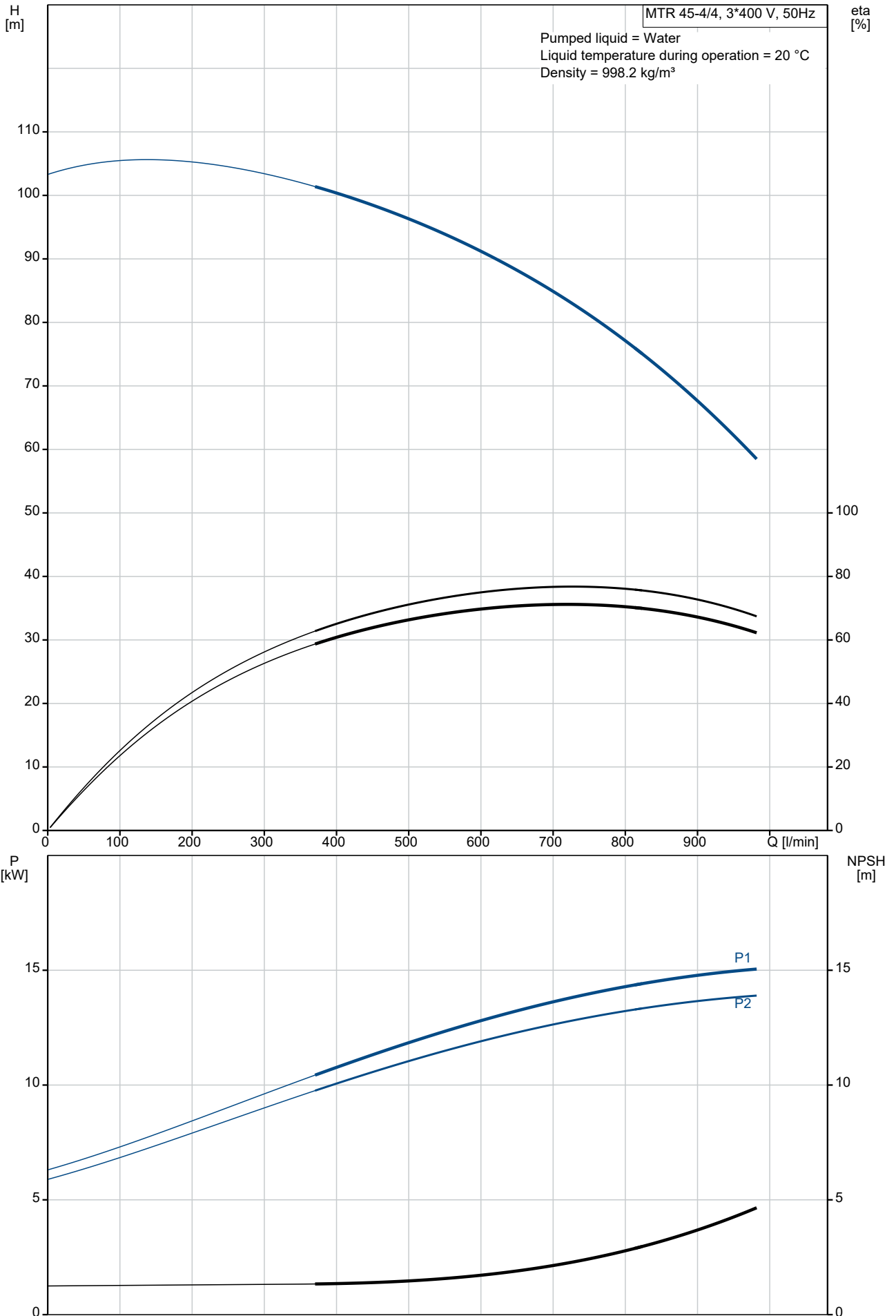


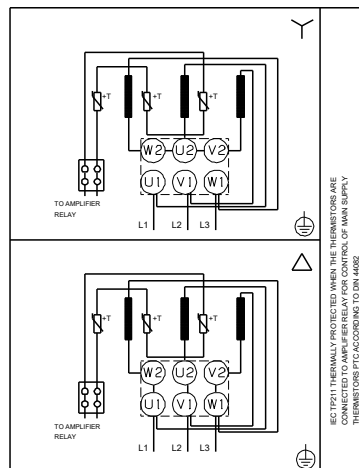
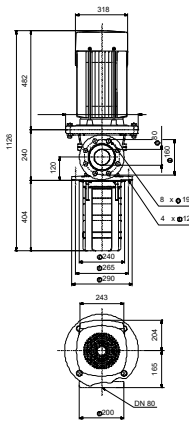
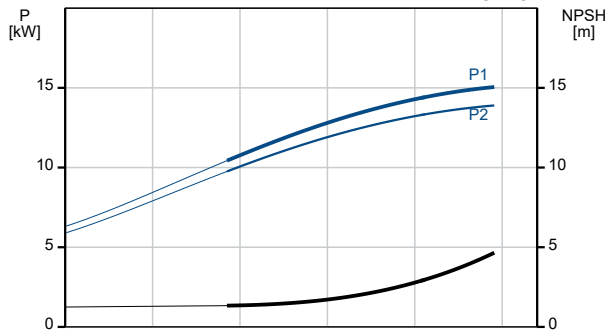
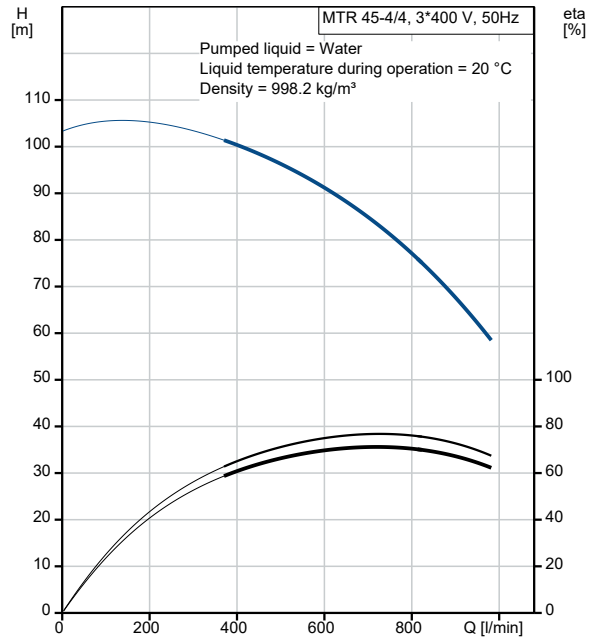
Qty.	Description
1	<b>MTR 45-4/4 A-F-A-HUUV</b>
	
	Product No.: On request
	<p>Multistage, immersible, self-priming, centrifugal pump for vertical installation in tanks etc.            The pump head and base are in cast iron – all other wetted parts are in stainless steel. The pump has the following characteristics:</p>
	<ul style="list-style-type: none"> <li>• Dimensions according to DIN 5440.</li> <li>• Impellers, intermediate chambers and spline shaft are made of Stainless steel.</li> <li>• Mechanical shaft seal according to EN 12756.</li> <li>• Power transmission via sintered metal split coupling.</li> </ul>
	<p>A cartridge shaft seal ensures high reliability, safe handling, and easy access and service. The pump is fitted with a 3-phase, fan-cooled asynchronous motor.</p>
	<p>Controls:            Frequency converter: NONE</p>
	<p>Liquid:            Pumped liquid: Water            Liquid temperature range: -10 .. 90 °C            Selected liquid temperature: 20 °C            Density: 998.2 kg/m<sup>3</sup></p>
	<p>Technical:            Pump speed on which pump data are based: 2923 rpm            Rated flow: 750 l/min            Rated head: 79.6 m            Chambers: 4            Drainage back to tank: N            Pump orientation: Vertical            Code for shaft seal: HUUV            Approvals: CE,EAC            Curve tolerance: ISO9906:2012 3B</p>
	<p>Materials:            Pump head: Cast iron                              EN 1561 EN-GJL-200                              ASTM A48-25B            Impeller: Stainless steel                              EN 1.4301                              AISI 304</p>
	<p>Installation:            t max amb: 60 °C            Maximum operating pressure: 25 bar            Max pressure at stated temp: 25 bar / 90 °C            Type of connection: DIN            Size of outlet connection: DN 80            Immersion depth: 404 mm            Pressure rating for connection: PN 40            Flange size for motor: FF300</p>
	<p>Electrical data:            Motor standard: IEC            Motor type: 160MD            IE Efficiency class: IE3</p>

Qty.	Description																																																		
1	<table> <tr> <td>Rated power - P2:</td> <td>15 kW</td> </tr> <tr> <td>Mains frequency:</td> <td>50 Hz</td> </tr> <tr> <td>Suitable for 50/60 Hz:</td> <td>N</td> </tr> <tr> <td>Rated voltage:</td> <td>3 x 380-415D/660-690Y V</td> </tr> <tr> <td>Rated current:</td> <td>28,0-26,0/16,2-15,6 A</td> </tr> <tr> <td>Starting current:</td> <td>660-780 %</td> </tr> <tr> <td>Cos phi - power factor:</td> <td>0.89-0.87</td> </tr> <tr> <td>Rated speed:</td> <td>2930-2950 rpm</td> </tr> <tr> <td>Efficiency:</td> <td>IE3 91,9%</td> </tr> <tr> <td>Motor efficiency at full load:</td> <td>91.9-91.9 %</td> </tr> <tr> <td>Motor efficiency at 3/4 load:</td> <td>92.4 %</td> </tr> <tr> <td>Motor efficiency at 1/2 load:</td> <td>92.4 %</td> </tr> <tr> <td>Number of poles:</td> <td>2</td> </tr> <tr> <td>Enclosure class (IEC 34-5):</td> <td>55 Dust/Jetting</td> </tr> <tr> <td>Insulation class (IEC 85):</td> <td>F</td> </tr> <tr> <td>Motor No:</td> <td>85U17526</td> </tr> <tr> <td colspan="2">Others:</td> </tr> <tr> <td>Terminal box position:</td> <td>6</td> </tr> <tr> <td>Minimum efficiency index, MEI ≥:</td> <td>0.70</td> </tr> <tr> <td>Net weight:</td> <td>157 kg</td> </tr> <tr> <td>Gross weight:</td> <td>182 kg</td> </tr> <tr> <td>Shipping volume:</td> <td>0.479 m<sup>3</sup></td> </tr> <tr> <td>Danish VVS No.:</td> <td>386970004</td> </tr> <tr> <td>Country of origin:</td> <td>HU</td> </tr> <tr> <td>Custom tariff no.:</td> <td>84137075</td> </tr> </table>	Rated power - P2:	15 kW	Mains frequency:	50 Hz	Suitable for 50/60 Hz:	N	Rated voltage:	3 x 380-415D/660-690Y V	Rated current:	28,0-26,0/16,2-15,6 A	Starting current:	660-780 %	Cos phi - power factor:	0.89-0.87	Rated speed:	2930-2950 rpm	Efficiency:	IE3 91,9%	Motor efficiency at full load:	91.9-91.9 %	Motor efficiency at 3/4 load:	92.4 %	Motor efficiency at 1/2 load:	92.4 %	Number of poles:	2	Enclosure class (IEC 34-5):	55 Dust/Jetting	Insulation class (IEC 85):	F	Motor No:	85U17526	Others:		Terminal box position:	6	Minimum efficiency index, MEI ≥:	0.70	Net weight:	157 kg	Gross weight:	182 kg	Shipping volume:	0.479 m <sup>3</sup>	Danish VVS No.:	386970004	Country of origin:	HU	Custom tariff no.:	84137075
Rated power - P2:	15 kW																																																		
Mains frequency:	50 Hz																																																		
Suitable for 50/60 Hz:	N																																																		
Rated voltage:	3 x 380-415D/660-690Y V																																																		
Rated current:	28,0-26,0/16,2-15,6 A																																																		
Starting current:	660-780 %																																																		
Cos phi - power factor:	0.89-0.87																																																		
Rated speed:	2930-2950 rpm																																																		
Efficiency:	IE3 91,9%																																																		
Motor efficiency at full load:	91.9-91.9 %																																																		
Motor efficiency at 3/4 load:	92.4 %																																																		
Motor efficiency at 1/2 load:	92.4 %																																																		
Number of poles:	2																																																		
Enclosure class (IEC 34-5):	55 Dust/Jetting																																																		
Insulation class (IEC 85):	F																																																		
Motor No:	85U17526																																																		
Others:																																																			
Terminal box position:	6																																																		
Minimum efficiency index, MEI ≥:	0.70																																																		
Net weight:	157 kg																																																		
Gross weight:	182 kg																																																		
Shipping volume:	0.479 m <sup>3</sup>																																																		
Danish VVS No.:	386970004																																																		
Country of origin:	HU																																																		
Custom tariff no.:	84137075																																																		

# On request MTR 45-4/4 A-F-A-HUUV 50 Hz

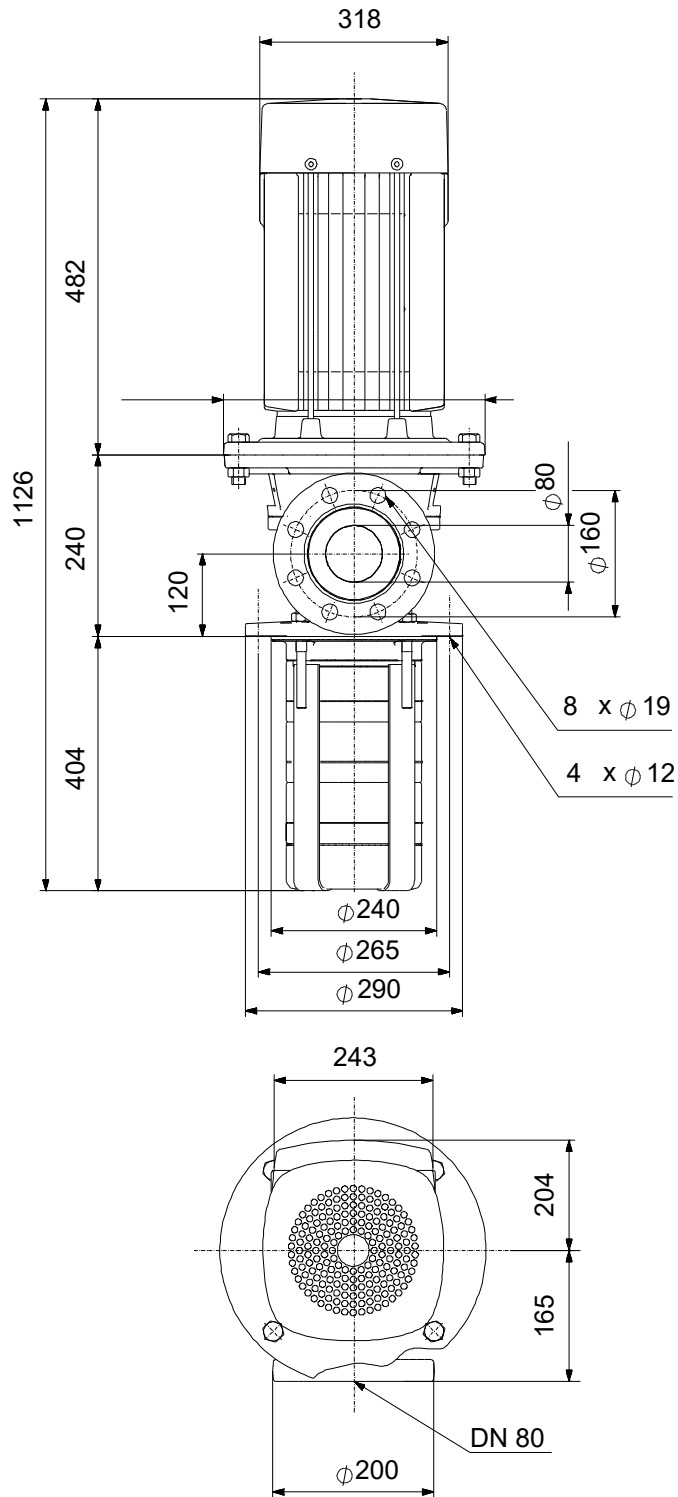


Description	Value
<b>General information:</b>	
Product name:	MTR 45-4/4 A-F-A-HUUV
Product No:	On request
EAN number:	On request
<b>Technical:</b>	
Pump speed on which pump data are based:	2923 rpm
Rated flow:	750 l/min
Rated head:	79.6 m
Chambers:	4
Impellers:	4
Number of reduced-diameter impellers:	0
Drainage back to tank:	N
Pump orientation:	Vertical
Code for shaft seal:	HUUV
Approvals:	CE, EAC
Curve tolerance:	ISO9906:2012 3B
Pump version:	A
Model:	B
<b>Materials:</b>	
Pump head:	Cast iron
Pump head:	EN 1561 EN-GJL-200
Pump head:	ASTM A48-25B
Impeller:	Stainless steel
Impeller:	EN 1.4301
Impeller:	AISI 304
Material code:	A
<b>Installation:</b>	
t max amb:	60 °C
Maximum operating pressure:	25 bar
Max pressure at stated temp:	25 bar / 90 °C
Type of connection:	DIN
Size of outlet connection:	DN 80
Immersion depth:	404 mm
Pressure rating for connection:	PN 40
Flange size for motor:	FF300
Connect code:	F
<b>Liquid:</b>	
Pumped liquid:	Water
Liquid temperature range:	-10 .. 90 °C
Selected liquid temperature:	20 °C
Density:	998.2 kg/m <sup>3</sup>
<b>Electrical data:</b>	
Motor standard:	IEC
Motor type:	160MD
IE Efficiency class:	IE3
Rated power - P2:	15 kW
Mains frequency:	50 Hz
Suitable for 50/60 Hz:	N
Rated voltage:	3 x 380-415D/660-690Y V
Rated current:	28,0-26,0/16,2-15,6 A
Starting current:	660-780 %
Cos phi - power factor:	0.89-0.87
Rated speed:	2930-2950 rpm
Efficiency:	IE3 91,9%
Motor efficiency at full load:	91.9-91.9 %
Motor efficiency at 3/4 load:	92.4 %
Motor efficiency at 1/2 load:	92.4 %
Number of poles:	2
Enclosure class (IEC 34-5):	55 Dust/Jetting
Insulation class (IEC 85):	F
Built-in motor protection:	PTC
Motor No:	85U17526



Description	Value
<b>Controls:</b>	
Frequency converter:	NONE
<b>Others:</b>	
Terminal box position:	6
Minimum efficiency index, MEI ≥:	0.70
Net weight:	157 kg
Gross weight:	182 kg
Shipping volume:	0.479 m <sup>3</sup>
Danish VVS No.:	386970004
Country of origin:	HU
Custom tariff no.:	84137075

# On request MTR 45-4/4 A-F-A-HUUV 50 Hz



Note! All units are in [mm] unless others are stated.  
Disclaimer: This simplified dimensional drawing does not show all details.

# On request MTR 45-4/4 A-F-A-HUUV 50 Hz



IEC TP211 THERMALLY PROTECTED WHEN THE THERMISTORS ARE  
CONNECTED TO AMPLIFIER RELAY FOR CONTROL OF MAIN SUPPLY  
THERMISTORS PTC ACCORDING TO DIN 44082

Note! All units are in [mm] unless others are stated.

