
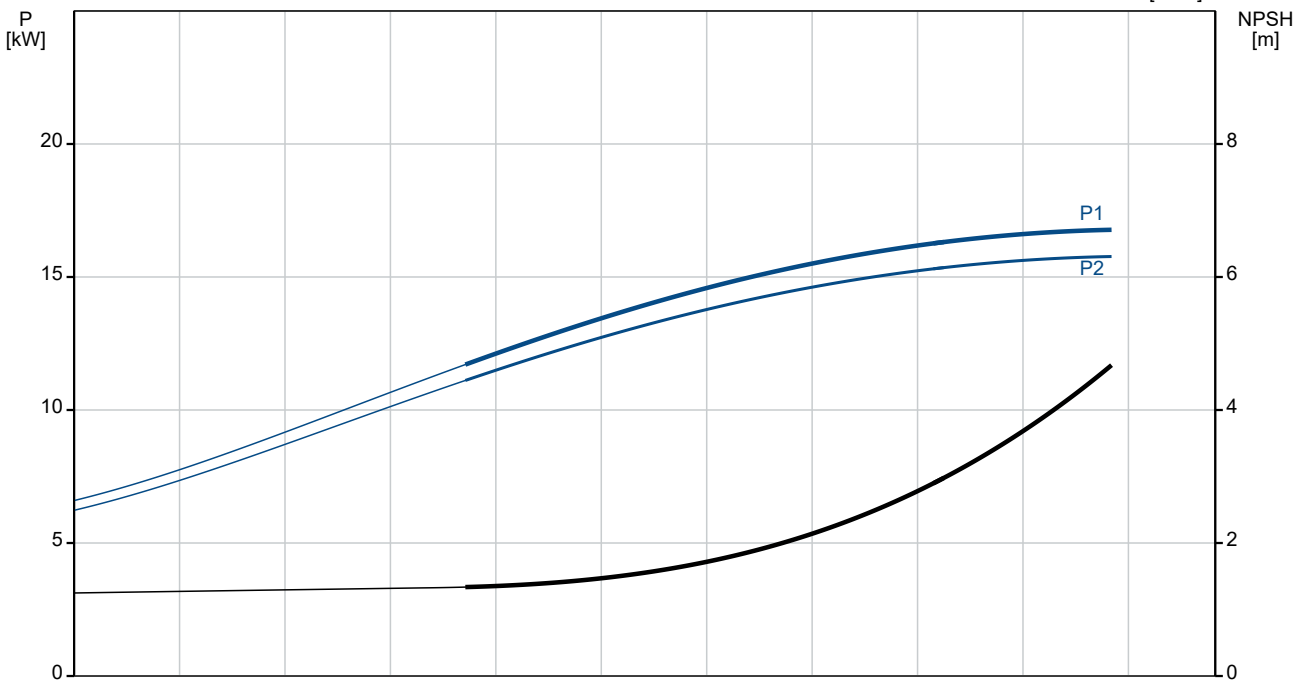
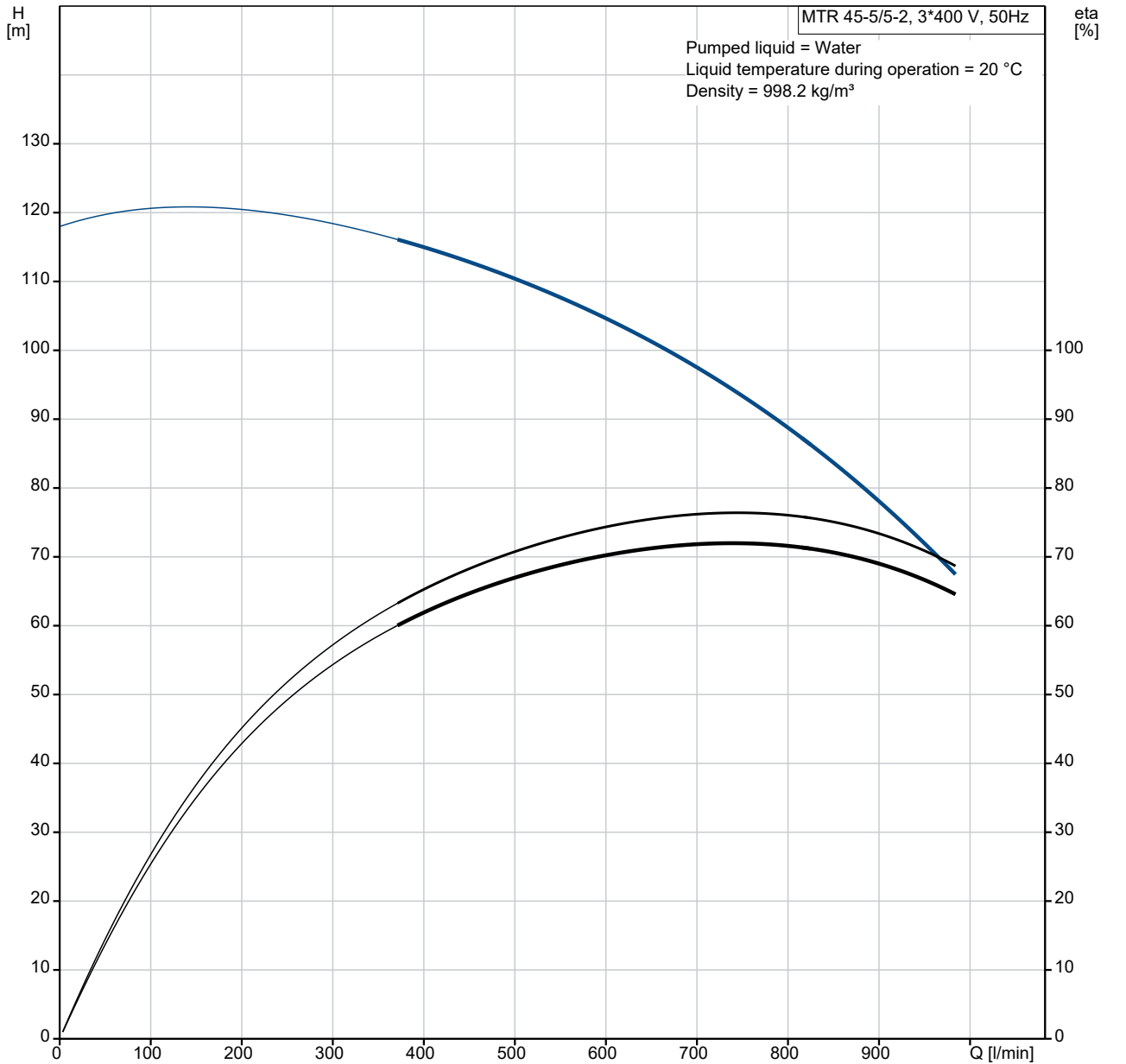


Qty.	Description
1	<p data-bbox="199 159 502 190">MTR 45-5/5-2 A-F-A-HUUV</p>  <p data-bbox="199 483 480 515">Product No.: On request</p> <p data-bbox="199 544 1430 622">Multistage, immersible, self-priming, centrifugal pump for vertical installation in tanks etc. The pump head and base are in cast iron – all other wetted parts are in stainless steel. The pump has the following characteristics:</p> <ul data-bbox="240 629 1117 745" style="list-style-type: none"> • Dimensions according to DIN 5440. • Impellers, intermediate chambers and spline shaft are made of Stainless steel. • Mechanical shaft seal according to EN 12756. • Power transmission via sintered metal split coupling. <p data-bbox="199 750 1430 801">A cartridge shaft seal ensures high reliability, safe handling, and easy access and service. The pump is fitted with a 3-phase, fan-cooled asynchronous motor.</p> <p data-bbox="199 837 300 864">Controls:</p> <p data-bbox="199 869 638 896">Frequency converter: NONE</p> <p data-bbox="199 927 277 954">Liquid:</p> <p data-bbox="199 958 699 1075">Pumped liquid: Water Liquid temperature range: -10 .. 90 °C Selected liquid temperature: 20 °C Density: 998.2 kg/m³</p> <p data-bbox="199 1106 316 1133">Technical:</p> <p data-bbox="199 1137 820 1402">Pump speed on which pump data are based: 2934 rpm Rated flow: 750 l/min Rated head: 92.8 m Chambers: 5 Drainage back to tank: N Pump orientation: Vertical Code for shaft seal: HUUV Approvals: CE,EAC Curve tolerance: ISO9906:2012 3B</p> <p data-bbox="199 1433 309 1460">Materials:</p> <p data-bbox="199 1464 804 1635">Pump head: Cast iron EN 1561 EN-GJL-200 ASTM A48-25B Impeller: Stainless steel EN 1.4301 AISI 304</p> <p data-bbox="199 1666 328 1693">Installation:</p> <p data-bbox="199 1697 718 1939">t max amb: 60 °C Maximum operating pressure: 25 bar Max pressure at stated temp: 25 bar / 90 °C Type of connection: DIN Size of outlet connection: DN 80 Immersion depth: 484 mm Pressure rating for connection: PN 40 Flange size for motor: FF300</p> <p data-bbox="199 1971 363 1998">Electrical data:</p> <p data-bbox="199 2002 638 2083">Motor standard: IEC Motor type: 160LB IE Efficiency class: IE3</p>

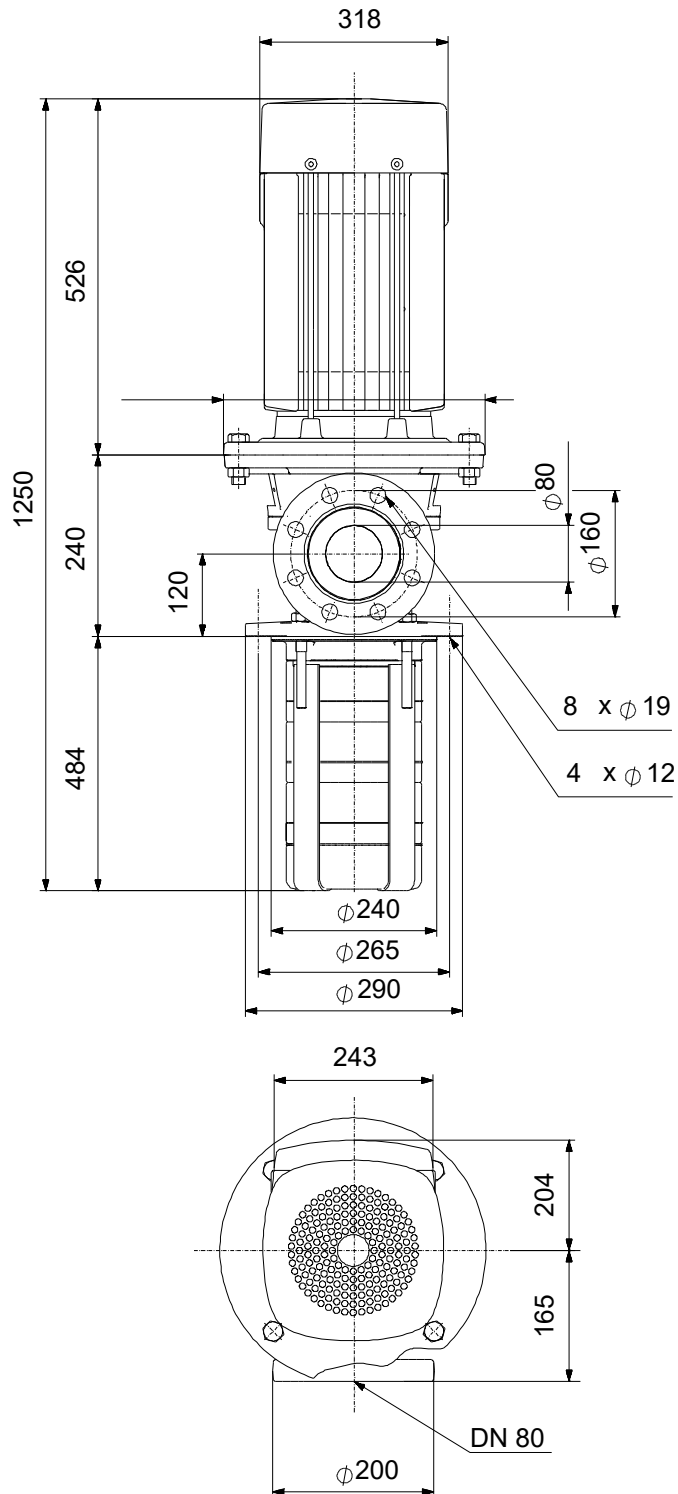
Qty.	Description																																																
1	<table> <tr> <td>Rated power - P2:</td> <td>18.5 kW</td> </tr> <tr> <td>Mains frequency:</td> <td>50 Hz</td> </tr> <tr> <td>Suitable for 50/60 Hz:</td> <td>N</td> </tr> <tr> <td>Rated voltage:</td> <td>3 x 380-415D/660-690Y V</td> </tr> <tr> <td>Rated current:</td> <td>34,5-32,5/20,0-18,8 A</td> </tr> <tr> <td>Starting current:</td> <td>830-980 %</td> </tr> <tr> <td>Cos phi - power factor:</td> <td>0.89-0.85</td> </tr> <tr> <td>Rated speed:</td> <td>2940-2950 rpm</td> </tr> <tr> <td>Efficiency:</td> <td>IE3 92,4%</td> </tr> <tr> <td>Motor efficiency at full load:</td> <td>92.4-92.4 %</td> </tr> <tr> <td>Motor efficiency at 3/4 load:</td> <td>93.2 %</td> </tr> <tr> <td>Motor efficiency at 1/2 load:</td> <td>93.2 %</td> </tr> <tr> <td>Number of poles:</td> <td>2</td> </tr> <tr> <td>Enclosure class (IEC 34-5):</td> <td>55 Dust/Jetting</td> </tr> <tr> <td>Insulation class (IEC 85):</td> <td>F</td> </tr> <tr> <td>Motor No:</td> <td>85U17528</td> </tr> <tr> <td colspan="2">Others:</td> </tr> <tr> <td>Terminal box position:</td> <td>6</td> </tr> <tr> <td>Minimum efficiency index, MEI ≥:</td> <td>0.70</td> </tr> <tr> <td>Net weight:</td> <td>170 kg</td> </tr> <tr> <td>Gross weight:</td> <td>195 kg</td> </tr> <tr> <td>Shipping volume:</td> <td>0.479 m³</td> </tr> <tr> <td>Country of origin:</td> <td>HU</td> </tr> <tr> <td>Custom tariff no.:</td> <td>84137075</td> </tr> </table>	Rated power - P2:	18.5 kW	Mains frequency:	50 Hz	Suitable for 50/60 Hz:	N	Rated voltage:	3 x 380-415D/660-690Y V	Rated current:	34,5-32,5/20,0-18,8 A	Starting current:	830-980 %	Cos phi - power factor:	0.89-0.85	Rated speed:	2940-2950 rpm	Efficiency:	IE3 92,4%	Motor efficiency at full load:	92.4-92.4 %	Motor efficiency at 3/4 load:	93.2 %	Motor efficiency at 1/2 load:	93.2 %	Number of poles:	2	Enclosure class (IEC 34-5):	55 Dust/Jetting	Insulation class (IEC 85):	F	Motor No:	85U17528	Others:		Terminal box position:	6	Minimum efficiency index, MEI ≥:	0.70	Net weight:	170 kg	Gross weight:	195 kg	Shipping volume:	0.479 m ³	Country of origin:	HU	Custom tariff no.:	84137075
Rated power - P2:	18.5 kW																																																
Mains frequency:	50 Hz																																																
Suitable for 50/60 Hz:	N																																																
Rated voltage:	3 x 380-415D/660-690Y V																																																
Rated current:	34,5-32,5/20,0-18,8 A																																																
Starting current:	830-980 %																																																
Cos phi - power factor:	0.89-0.85																																																
Rated speed:	2940-2950 rpm																																																
Efficiency:	IE3 92,4%																																																
Motor efficiency at full load:	92.4-92.4 %																																																
Motor efficiency at 3/4 load:	93.2 %																																																
Motor efficiency at 1/2 load:	93.2 %																																																
Number of poles:	2																																																
Enclosure class (IEC 34-5):	55 Dust/Jetting																																																
Insulation class (IEC 85):	F																																																
Motor No:	85U17528																																																
Others:																																																	
Terminal box position:	6																																																
Minimum efficiency index, MEI ≥:	0.70																																																
Net weight:	170 kg																																																
Gross weight:	195 kg																																																
Shipping volume:	0.479 m ³																																																
Country of origin:	HU																																																
Custom tariff no.:	84137075																																																

On request MTR 45-5/5-2 A-F-A-HUUV 50 Hz



Description	Value
Controls:	
Frequency converter:	NONE
Others:	
Terminal box position:	6
Minimum efficiency index, MEI ≥:	0.70
Net weight:	170 kg
Gross weight:	195 kg
Shipping volume:	0.479 m ³
Country of origin:	HU
Custom tariff no.:	84137075

On request MTR 45-5/5-2 A-F-A-HUUV 50 Hz



Note! All units are in [mm] unless others are stated.
Disclaimer: This simplified dimensional drawing does not show all details.

On request MTR 45-5/5-2 A-F-A-HUUV 50 Hz



IEC TP211 THERMALLY PROTECTED WHEN THE THERMISTORS ARE
CONNECTED TO AMPLIFIER RELAY FOR CONTROL OF MAIN SUPPLY
THERMISTORS PTC ACCORDING TO DIN 44082

Note! All units are in [mm] unless others are stated.

