
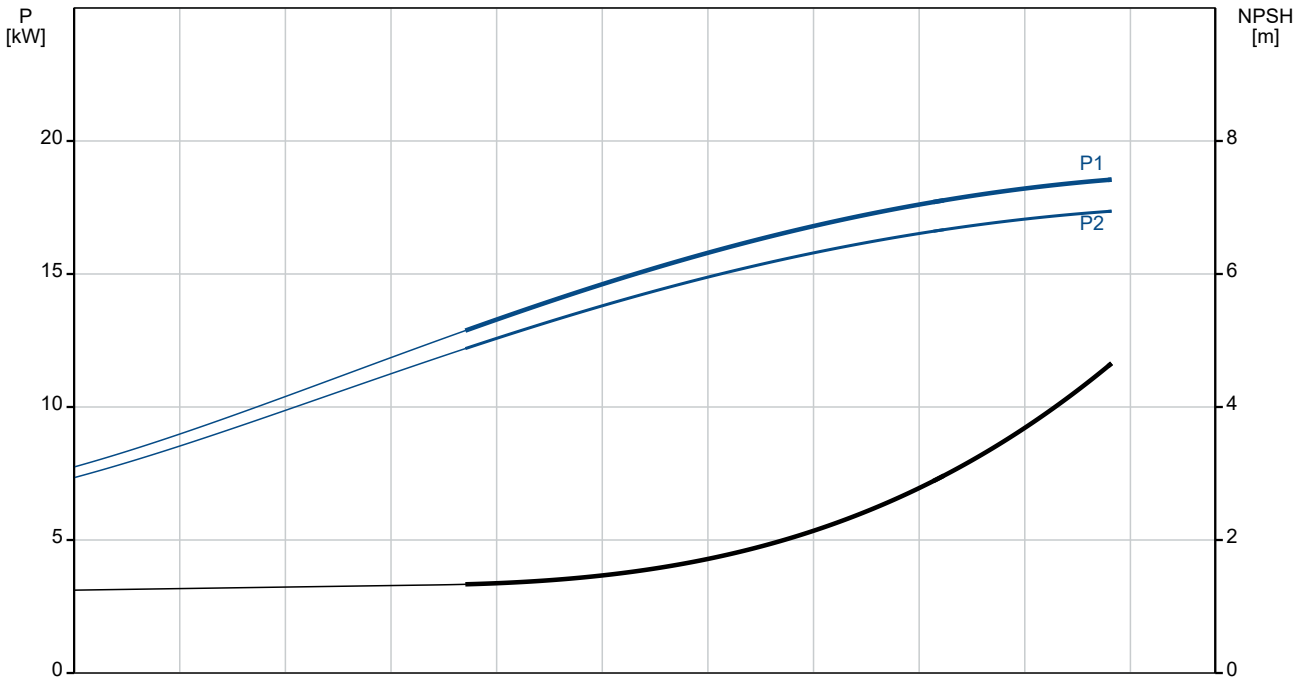
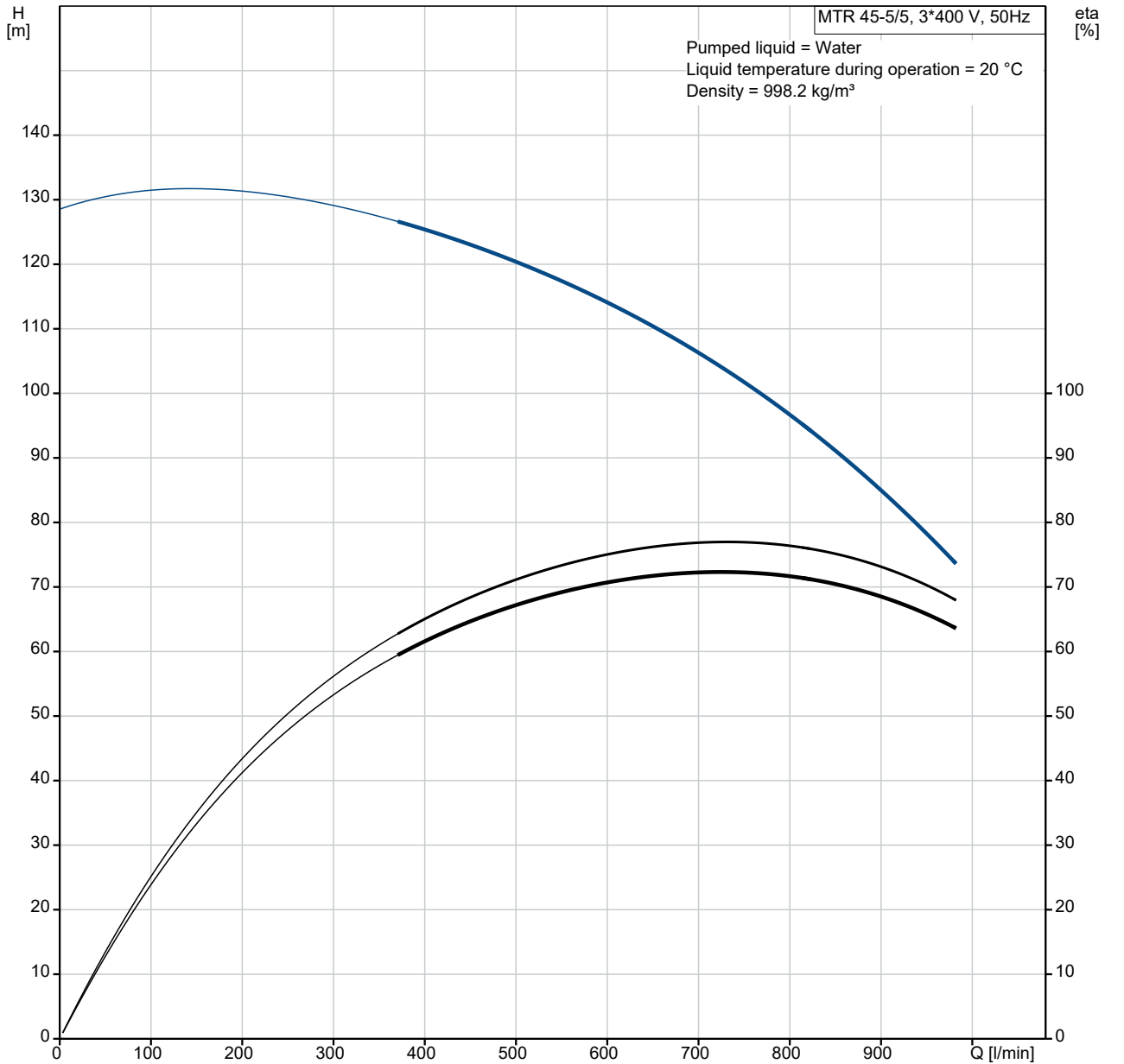


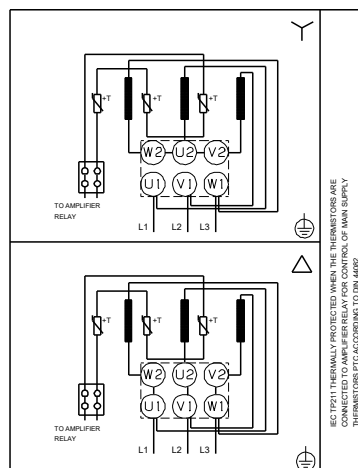
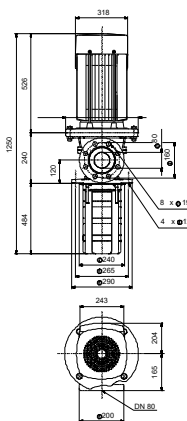
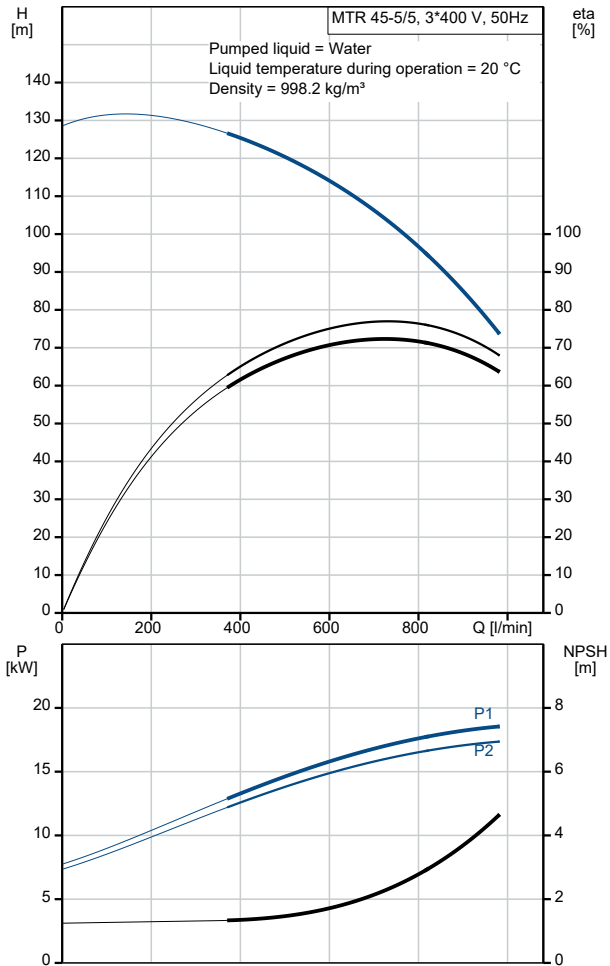
Qty.	Description
1	<p data-bbox="204 163 480 185">MTR 45-5/5 A-F-A-HUUV</p>  <p data-bbox="204 483 480 506">Product No.: On request</p> <p data-bbox="204 544 1430 618">Multistage, immersible, self-priming, centrifugal pump for vertical installation in tanks etc. The pump head and base are in cast iron – all other wetted parts are in stainless steel. The pump has the following characteristics:</p> <ul data-bbox="240 633 1118 745" style="list-style-type: none"> • Dimensions according to DIN 5440. • Impellers, intermediate chambers and spline shaft are made of Stainless steel. • Mechanical shaft seal according to EN 12756. • Power transmission via sintered metal split coupling. <p data-bbox="204 752 1430 797">A cartridge shaft seal ensures high reliability, safe handling, and easy access and service. The pump is fitted with a 3-phase, fan-cooled asynchronous motor.</p> <p data-bbox="204 842 300 864">Controls:</p> <p data-bbox="204 871 639 893">Frequency converter: NONE</p> <p data-bbox="204 931 276 954">Liquid:</p> <p data-bbox="204 960 695 1072">Pumped liquid: Water Liquid temperature range: -10 .. 90 °C Selected liquid temperature: 20 °C Density: 998.2 kg/m³</p> <p data-bbox="204 1111 316 1133">Technical:</p> <p data-bbox="204 1140 818 1402">Pump speed on which pump data are based: 2934 rpm Rated flow: 750 l/min Rated head: 100.4 m Chambers: 5 Drainage back to tank: N Pump orientation: Vertical Code for shaft seal: HUUV Approvals: CE,EAC Curve tolerance: ISO9906:2012 3B</p> <p data-bbox="204 1440 308 1462">Materials:</p> <p data-bbox="204 1469 802 1637">Pump head: Cast iron EN 1561 EN-GJL-200 ASTM A48-25B Impeller: Stainless steel EN 1.4301 AISI 304</p> <p data-bbox="204 1675 323 1697">Installation:</p> <p data-bbox="204 1704 719 1939">t max amb: 60 °C Maximum operating pressure: 25 bar Max pressure at stated temp: 25 bar / 90 °C Type of connection: DIN Size of outlet connection: DN 80 Immersion depth: 484 mm Pressure rating for connection: PN 40 Flange size for motor: FF300</p> <p data-bbox="204 1977 363 2000">Electrical data:</p> <p data-bbox="204 2007 639 2085">Motor standard: IEC Motor type: 160LB IE Efficiency class: IE3</p>

Qty.	Description																																																		
1	<table> <tr> <td>Rated power - P2:</td> <td>18.5 kW</td> </tr> <tr> <td>Mains frequency:</td> <td>50 Hz</td> </tr> <tr> <td>Suitable for 50/60 Hz:</td> <td>N</td> </tr> <tr> <td>Rated voltage:</td> <td>3 x 380-415D/660-690Y V</td> </tr> <tr> <td>Rated current:</td> <td>34,5-32,5/20,0-18,8 A</td> </tr> <tr> <td>Starting current:</td> <td>830-980 %</td> </tr> <tr> <td>Cos phi - power factor:</td> <td>0.89-0.85</td> </tr> <tr> <td>Rated speed:</td> <td>2940-2950 rpm</td> </tr> <tr> <td>Efficiency:</td> <td>IE3 92,4%</td> </tr> <tr> <td>Motor efficiency at full load:</td> <td>92.4-92.4 %</td> </tr> <tr> <td>Motor efficiency at 3/4 load:</td> <td>93.2 %</td> </tr> <tr> <td>Motor efficiency at 1/2 load:</td> <td>93.2 %</td> </tr> <tr> <td>Number of poles:</td> <td>2</td> </tr> <tr> <td>Enclosure class (IEC 34-5):</td> <td>55 Dust/Jetting</td> </tr> <tr> <td>Insulation class (IEC 85):</td> <td>F</td> </tr> <tr> <td>Motor No:</td> <td>85U17528</td> </tr> <tr> <td colspan="2">Others:</td> </tr> <tr> <td>Terminal box position:</td> <td>6</td> </tr> <tr> <td>Minimum efficiency index, MEI ≥:</td> <td>0.70</td> </tr> <tr> <td>Net weight:</td> <td>170 kg</td> </tr> <tr> <td>Gross weight:</td> <td>195 kg</td> </tr> <tr> <td>Shipping volume:</td> <td>0.479 m³</td> </tr> <tr> <td>Danish VVS No.:</td> <td>386970005</td> </tr> <tr> <td>Country of origin:</td> <td>HU</td> </tr> <tr> <td>Custom tariff no.:</td> <td>84137075</td> </tr> </table>	Rated power - P2:	18.5 kW	Mains frequency:	50 Hz	Suitable for 50/60 Hz:	N	Rated voltage:	3 x 380-415D/660-690Y V	Rated current:	34,5-32,5/20,0-18,8 A	Starting current:	830-980 %	Cos phi - power factor:	0.89-0.85	Rated speed:	2940-2950 rpm	Efficiency:	IE3 92,4%	Motor efficiency at full load:	92.4-92.4 %	Motor efficiency at 3/4 load:	93.2 %	Motor efficiency at 1/2 load:	93.2 %	Number of poles:	2	Enclosure class (IEC 34-5):	55 Dust/Jetting	Insulation class (IEC 85):	F	Motor No:	85U17528	Others:		Terminal box position:	6	Minimum efficiency index, MEI ≥:	0.70	Net weight:	170 kg	Gross weight:	195 kg	Shipping volume:	0.479 m ³	Danish VVS No.:	386970005	Country of origin:	HU	Custom tariff no.:	84137075
Rated power - P2:	18.5 kW																																																		
Mains frequency:	50 Hz																																																		
Suitable for 50/60 Hz:	N																																																		
Rated voltage:	3 x 380-415D/660-690Y V																																																		
Rated current:	34,5-32,5/20,0-18,8 A																																																		
Starting current:	830-980 %																																																		
Cos phi - power factor:	0.89-0.85																																																		
Rated speed:	2940-2950 rpm																																																		
Efficiency:	IE3 92,4%																																																		
Motor efficiency at full load:	92.4-92.4 %																																																		
Motor efficiency at 3/4 load:	93.2 %																																																		
Motor efficiency at 1/2 load:	93.2 %																																																		
Number of poles:	2																																																		
Enclosure class (IEC 34-5):	55 Dust/Jetting																																																		
Insulation class (IEC 85):	F																																																		
Motor No:	85U17528																																																		
Others:																																																			
Terminal box position:	6																																																		
Minimum efficiency index, MEI ≥:	0.70																																																		
Net weight:	170 kg																																																		
Gross weight:	195 kg																																																		
Shipping volume:	0.479 m ³																																																		
Danish VVS No.:	386970005																																																		
Country of origin:	HU																																																		
Custom tariff no.:	84137075																																																		

On request MTR 45-5/5 A-F-A-HUUV 50 Hz

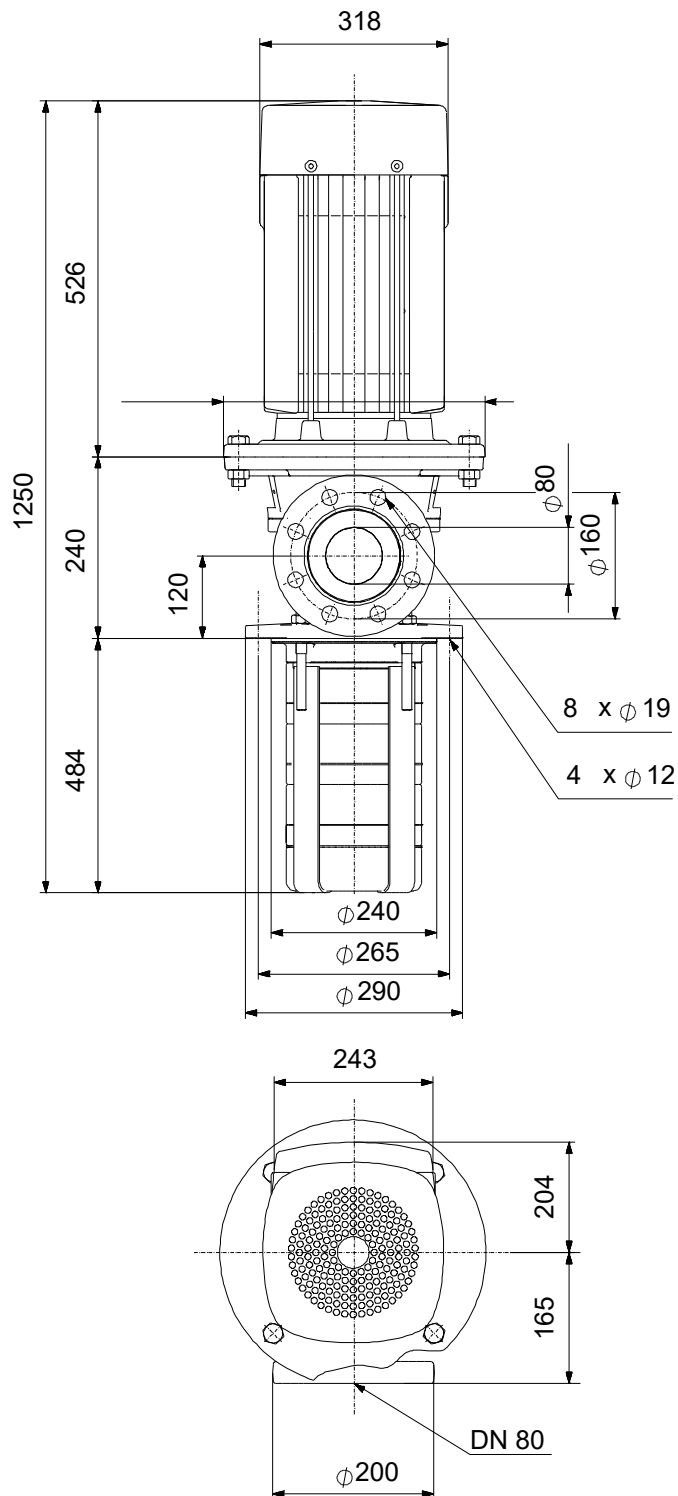


Description	Value
General information:	
Product name:	MTR 45-5/5 A-F-A-HUUV
Product No:	On request
EAN number:	On request
Technical:	
Pump speed on which pump data are based:	2934 rpm
Rated flow:	750 l/min
Rated head:	100.4 m
Chambers:	5
Impellers:	5
Number of reduced-diameter impellers:	0
Drainage back to tank:	N
Pump orientation:	Vertical
Code for shaft seal:	HUUV
Approvals:	CE, EAC
Curve tolerance:	ISO9906:2012 3B
Pump version:	A
Model:	B
Materials:	
Pump head:	Cast iron
Pump head:	EN 1561 EN-GJL-200
Pump head:	ASTM A48-25B
Impeller:	Stainless steel
Impeller:	EN 1.4301
Impeller:	AISI 304
Material code:	A
Installation:	
t max amb:	60 °C
Maximum operating pressure:	25 bar
Max pressure at stated temp:	25 bar / 90 °C
Type of connection:	DIN
Size of outlet connection:	DN 80
Immersion depth:	484 mm
Pressure rating for connection:	PN 40
Flange size for motor:	FF300
Connect code:	F
Liquid:	
Pumped liquid:	Water
Liquid temperature range:	-10 .. 90 °C
Selected liquid temperature:	20 °C
Density:	998.2 kg/m ³
Electrical data:	
Motor standard:	IEC
Motor type:	160LB
IE Efficiency class:	IE3
Rated power - P2:	18.5 kW
Mains frequency:	50 Hz
Suitable for 50/60 Hz:	N
Rated voltage:	3 x 380-415D/660-690Y V
Rated current:	34,5-32,5/20,0-18,8 A
Starting current:	830-980 %
Cos phi - power factor:	0.89-0.85
Rated speed:	2940-2950 rpm
Efficiency:	IE3 92,4%
Motor efficiency at full load:	92.4-92.4 %
Motor efficiency at 3/4 load:	93.2 %
Motor efficiency at 1/2 load:	93.2 %
Number of poles:	2
Enclosure class (IEC 34-5):	55 Dust/Jetting
Insulation class (IEC 85):	F
Built-in motor protection:	PTC
Motor No:	85U17528



Description	Value
Controls:	
Frequency converter:	NONE
Others:	
Terminal box position:	6
Minimum efficiency index, MEI ≥:	0.70
Net weight:	170 kg
Gross weight:	195 kg
Shipping volume:	0.479 m ³
Danish VVS No.:	386970005
Country of origin:	HU
Custom tariff no.:	84137075

On request MTR 45-5/5 A-F-A-HUUV 50 Hz



Note! All units are in [mm] unless others are stated.
Disclaimer: This simplified dimensional drawing does not show all details.

On request MTR 45-5/5 A-F-A-HUUV 50 Hz



IEC TP211 THERMALLY PROTECTED WHEN THE THERMISTORS ARE
 CONNECTED TO AMPLIFIER RELAY FOR CONTROL OF MAIN SUPPLY
 THERMISTORS PTC ACCORDING TO DIN 44082

Note! All units are in [mm] unless others are stated.

