
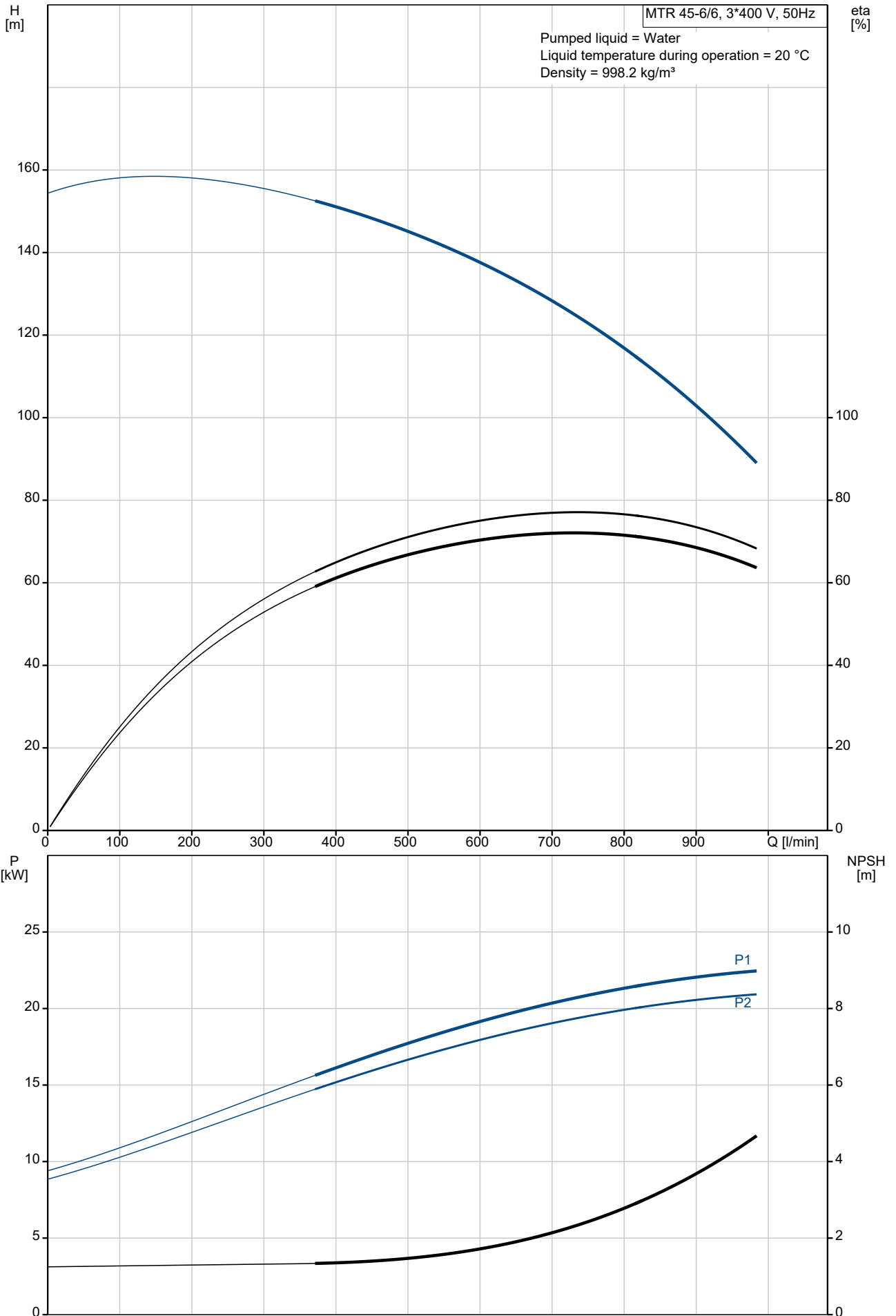


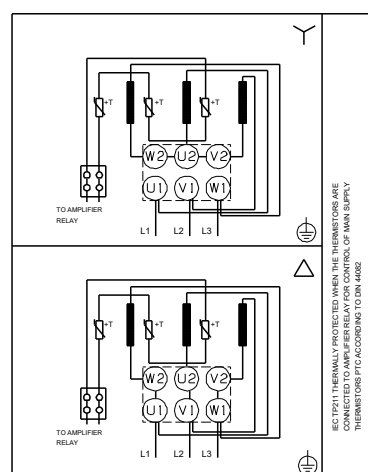
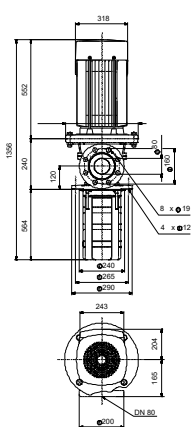
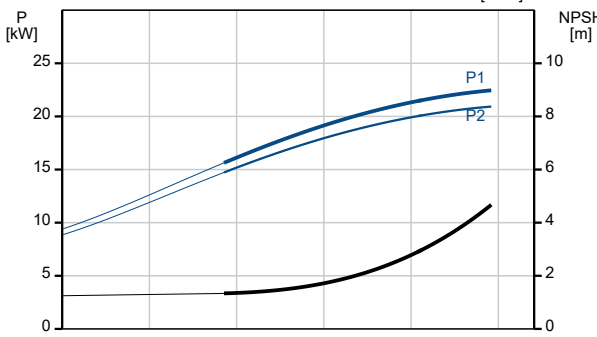
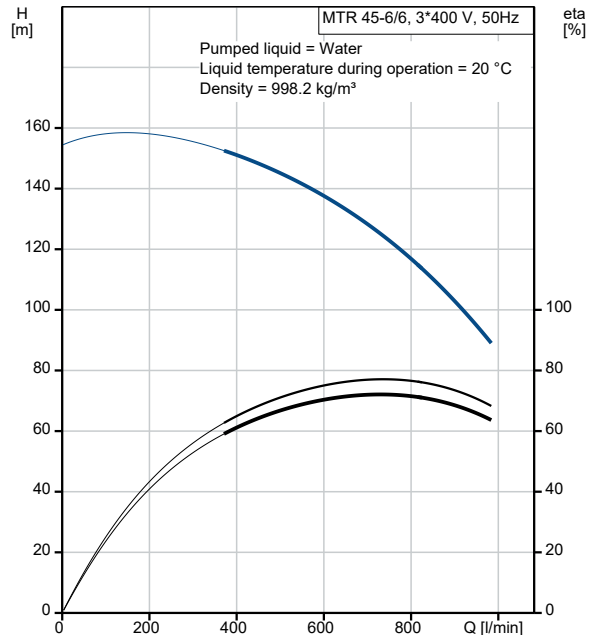
Qty.	Description
1	<p data-bbox="204 163 480 185"><b>MTR 45-6/6 A-F-A-HUUV</b></p>  <p data-bbox="204 483 480 506">Product No.: On request</p> <p data-bbox="204 544 1430 618">Multistage, immersible, self-priming, centrifugal pump for vertical installation in tanks etc. The pump head and base are in cast iron – all other wetted parts are in stainless steel. The pump has the following characteristics:</p> <ul data-bbox="240 629 1118 741" style="list-style-type: none"> <li>• Dimensions according to DIN 5440.</li> <li>• Impellers, intermediate chambers and spline shaft are made of Stainless steel.</li> <li>• Mechanical shaft seal according to EN 12756.</li> <li>• Power transmission via sintered metal split coupling.</li> </ul> <p data-bbox="204 752 1430 797">A cartridge shaft seal ensures high reliability, safe handling, and easy access and service. The pump is fitted with a 3-phase, fan-cooled asynchronous motor.</p> <p data-bbox="204 835 300 857"><b>Controls:</b></p> <p data-bbox="204 869 635 891">Frequency converter:                    NONE</p> <p data-bbox="204 927 276 949"><b>Liquid:</b></p> <p data-bbox="204 960 635 983">Pumped liquid:                            Water</p> <p data-bbox="204 994 691 1016">Liquid temperature range:            -10 .. 90 °C</p> <p data-bbox="204 1028 635 1050">Selected liquid temperature:        20 °C</p> <p data-bbox="204 1061 691 1084">Density:                                      998.2 kg/m<sup>3</sup></p> <p data-bbox="204 1117 316 1140"><b>Technical:</b></p> <p data-bbox="204 1151 818 1173">Pump speed on which pump data are based:    2947 rpm</p> <p data-bbox="204 1184 667 1207">Rated flow:                                 750 l/min</p> <p data-bbox="204 1218 655 1240">Rated head:                                 121.1 m</p> <p data-bbox="204 1252 579 1274">Chambers:                                    6</p> <p data-bbox="204 1285 579 1308">Drainage back to tank:                 N</p> <p data-bbox="204 1319 647 1341">Pump orientation:                         Vertical</p> <p data-bbox="204 1352 635 1375">Code for shaft seal:                     HUUV</p> <p data-bbox="204 1386 655 1408">Approvals:                                 CE,EAC</p> <p data-bbox="204 1420 759 1442">Curve tolerance:                         ISO9906:2012 3B</p> <p data-bbox="204 1476 308 1498"><b>Materials:</b></p> <p data-bbox="204 1509 802 1644">Pump head:                                 Cast iron EN 1561 EN-GJL-200 ASTM A48-25B</p> <p data-bbox="204 1655 722 1789">Impeller:                                     Stainless steel EN 1.4301 AISI 304</p> <p data-bbox="204 1823 323 1845"><b>Installation:</b></p> <p data-bbox="204 1856 635 1879">t max amb:                                 60 °C</p> <p data-bbox="204 1890 639 1912">Maximum operating pressure:        25 bar</p> <p data-bbox="204 1924 715 1946">Max pressure at stated temp:        25 bar / 90 °C</p> <p data-bbox="204 1957 608 1980">Type of connection:                     DIN</p> <p data-bbox="204 1991 635 2013">Size of outlet connection:             DN 80</p> <p data-bbox="204 2024 655 2047">Immersion depth:                        564 mm</p> <p data-bbox="204 2058 635 2080">Pressure rating for connection:     PN 40</p> <p data-bbox="204 2092 635 2114">Flange size for motor:                 FF300</p> <p data-bbox="204 2148 363 2170"><b>Electrical data:</b></p> <p data-bbox="204 2181 608 2204">Motor standard:                         IEC</p> <p data-bbox="204 2215 647 2237">Motor type:                                180MB</p> <p data-bbox="204 2226 603 2240">IE Efficiency class:                     IE3</p>

Qty.	Description																																																		
1	<table> <tr> <td>Rated power - P2:</td> <td>22 kW</td> </tr> <tr> <td>Mains frequency:</td> <td>50 Hz</td> </tr> <tr> <td>Suitable for 50/60 Hz:</td> <td>N</td> </tr> <tr> <td>Rated voltage:</td> <td>3 x 380-415D/660-690Y V</td> </tr> <tr> <td>Rated current:</td> <td>39.5/22.8 A</td> </tr> <tr> <td>Starting current:</td> <td>830 %</td> </tr> <tr> <td>Cos phi - power factor:</td> <td>0.90-0.90</td> </tr> <tr> <td>Rated speed:</td> <td>2950 rpm</td> </tr> <tr> <td>Efficiency:</td> <td>IE3 92,7%</td> </tr> <tr> <td>Motor efficiency at full load:</td> <td>92.7-92.7 %</td> </tr> <tr> <td>Motor efficiency at 3/4 load:</td> <td>93.7 %</td> </tr> <tr> <td>Motor efficiency at 1/2 load:</td> <td>94.4 %</td> </tr> <tr> <td>Number of poles:</td> <td>2</td> </tr> <tr> <td>Enclosure class (IEC 34-5):</td> <td>55 Dust/Jetting</td> </tr> <tr> <td>Insulation class (IEC 85):</td> <td>F</td> </tr> <tr> <td>Motor No:</td> <td>85U17530</td> </tr> <tr> <td colspan="2">Others:</td> </tr> <tr> <td>Terminal box position:</td> <td>6</td> </tr> <tr> <td>Minimum efficiency index, MEI ≥:</td> <td>0.70</td> </tr> <tr> <td>Net weight:</td> <td>185 kg</td> </tr> <tr> <td>Gross weight:</td> <td>211 kg</td> </tr> <tr> <td>Shipping volume:</td> <td>0.479 m<sup>3</sup></td> </tr> <tr> <td>Danish VVS No.:</td> <td>386970006</td> </tr> <tr> <td>Country of origin:</td> <td>HU</td> </tr> <tr> <td>Custom tariff no.:</td> <td>84137075</td> </tr> </table>	Rated power - P2:	22 kW	Mains frequency:	50 Hz	Suitable for 50/60 Hz:	N	Rated voltage:	3 x 380-415D/660-690Y V	Rated current:	39.5/22.8 A	Starting current:	830 %	Cos phi - power factor:	0.90-0.90	Rated speed:	2950 rpm	Efficiency:	IE3 92,7%	Motor efficiency at full load:	92.7-92.7 %	Motor efficiency at 3/4 load:	93.7 %	Motor efficiency at 1/2 load:	94.4 %	Number of poles:	2	Enclosure class (IEC 34-5):	55 Dust/Jetting	Insulation class (IEC 85):	F	Motor No:	85U17530	Others:		Terminal box position:	6	Minimum efficiency index, MEI ≥:	0.70	Net weight:	185 kg	Gross weight:	211 kg	Shipping volume:	0.479 m <sup>3</sup>	Danish VVS No.:	386970006	Country of origin:	HU	Custom tariff no.:	84137075
Rated power - P2:	22 kW																																																		
Mains frequency:	50 Hz																																																		
Suitable for 50/60 Hz:	N																																																		
Rated voltage:	3 x 380-415D/660-690Y V																																																		
Rated current:	39.5/22.8 A																																																		
Starting current:	830 %																																																		
Cos phi - power factor:	0.90-0.90																																																		
Rated speed:	2950 rpm																																																		
Efficiency:	IE3 92,7%																																																		
Motor efficiency at full load:	92.7-92.7 %																																																		
Motor efficiency at 3/4 load:	93.7 %																																																		
Motor efficiency at 1/2 load:	94.4 %																																																		
Number of poles:	2																																																		
Enclosure class (IEC 34-5):	55 Dust/Jetting																																																		
Insulation class (IEC 85):	F																																																		
Motor No:	85U17530																																																		
Others:																																																			
Terminal box position:	6																																																		
Minimum efficiency index, MEI ≥:	0.70																																																		
Net weight:	185 kg																																																		
Gross weight:	211 kg																																																		
Shipping volume:	0.479 m <sup>3</sup>																																																		
Danish VVS No.:	386970006																																																		
Country of origin:	HU																																																		
Custom tariff no.:	84137075																																																		

# On request MTR 45-6/6 A-F-A-HUUV 50 Hz

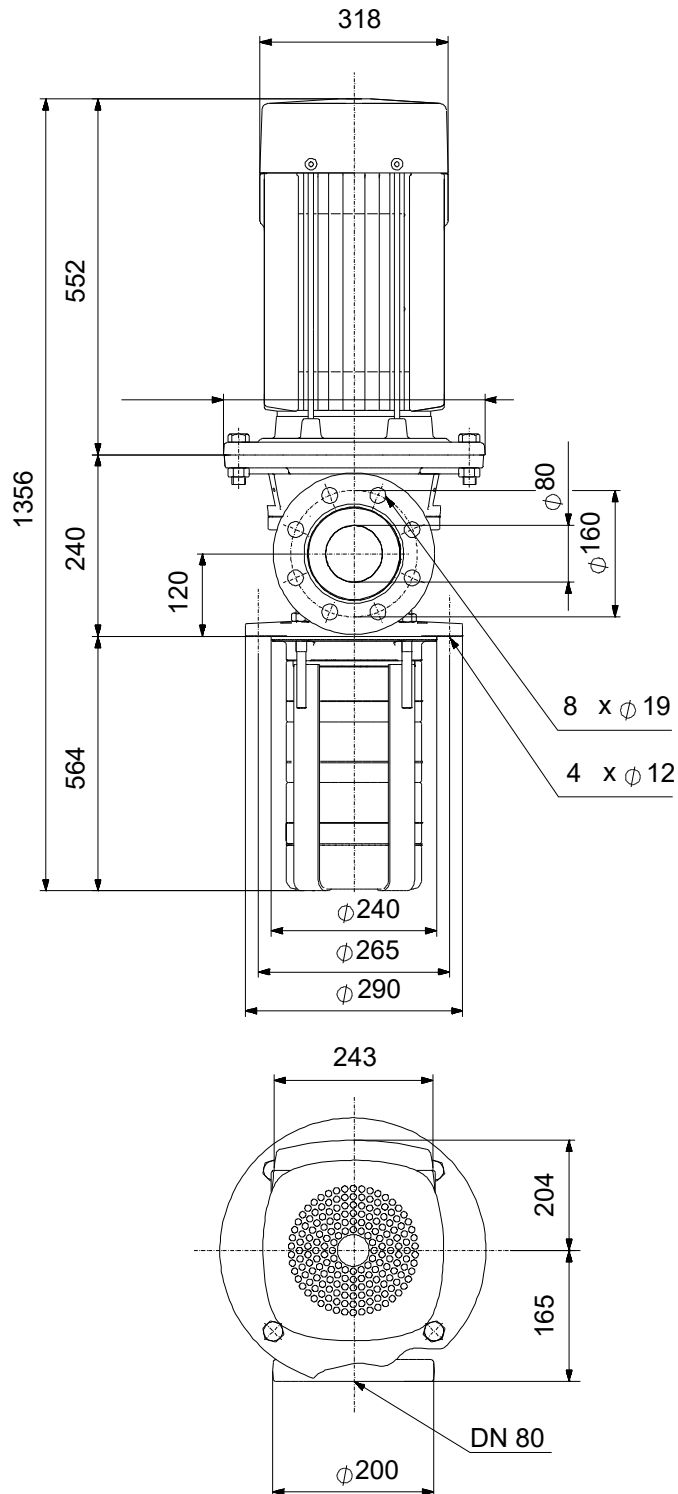


Description	Value
<b>General information:</b>	
Product name:	MTR 45-6/6 A-F-A-HUUV
Product No:	On request
EAN number:	On request
<b>Technical:</b>	
Pump speed on which pump data are based:	2947 rpm
Rated flow:	750 l/min
Rated head:	121.1 m
Chambers:	6
Impellers:	6
Number of reduced-diameter impellers:	0
Drainage back to tank:	N
Pump orientation:	Vertical
Code for shaft seal:	HUUV
Approvals:	CE, EAC
Curve tolerance:	ISO9906:2012 3B
Pump version:	A
Model:	B
<b>Materials:</b>	
Pump head:	Cast iron
Pump head:	EN 1561 EN-GJL-200
Pump head:	ASTM A48-25B
Impeller:	Stainless steel
Impeller:	EN 1.4301
Impeller:	AISI 304
Material code:	A
<b>Installation:</b>	
t max amb:	60 °C
Maximum operating pressure:	25 bar
Max pressure at stated temp:	25 bar / 90 °C
Type of connection:	DIN
Size of outlet connection:	DN 80
Immersion depth:	564 mm
Pressure rating for connection:	PN 40
Flange size for motor:	FF300
Connect code:	F
<b>Liquid:</b>	
Pumped liquid:	Water
Liquid temperature range:	-10 .. 90 °C
Selected liquid temperature:	20 °C
Density:	998.2 kg/m <sup>3</sup>
<b>Electrical data:</b>	
Motor standard:	IEC
Motor type:	180MB
IE Efficiency class:	IE3
Rated power - P2:	22 kW
Mains frequency:	50 Hz
Suitable for 50/60 Hz:	N
Rated voltage:	3 x 380-415D/660-690Y V
Rated current:	39.5/22.8 A
Starting current:	830 %
Cos phi - power factor:	0.90-0.90
Rated speed:	2950 rpm
Efficiency:	IE3 92,7%
Motor efficiency at full load:	92.7-92.7 %
Motor efficiency at 3/4 load:	93.7 %
Motor efficiency at 1/2 load:	94.4 %
Number of poles:	2
Enclosure class (IEC 34-5):	55 Dust/Jetting
Insulation class (IEC 85):	F
Built-in motor protection:	PTC
Motor No:	85U17530



Description	Value
<b>Controls:</b>	
Frequency converter:	NONE
<b>Others:</b>	
Terminal box position:	6
Minimum efficiency index, MEI ≥:	0.70
Net weight:	185 kg
Gross weight:	211 kg
Shipping volume:	0.479 m <sup>3</sup>
Danish VVS No.:	386970006
Country of origin:	HU
Custom tariff no.:	84137075

# On request MTR 45-6/6 A-F-A-HUUV 50 Hz



Note! All units are in [mm] unless others are stated.  
Disclaimer: This simplified dimensional drawing does not show all details.

**On request MTR 45-6/6 A-F-A-HUUV 50 Hz**



IEC TP211 THERMALLY PROTECTED WHEN THE THERMISTORS ARE  
CONNECTED TO AMPLIFIER RELAY FOR CONTROL OF MAIN SUPPLY  
THERMISTORS PTC ACCORDING TO DIN 44082

Note! All units are in [mm] unless others are stated.

