
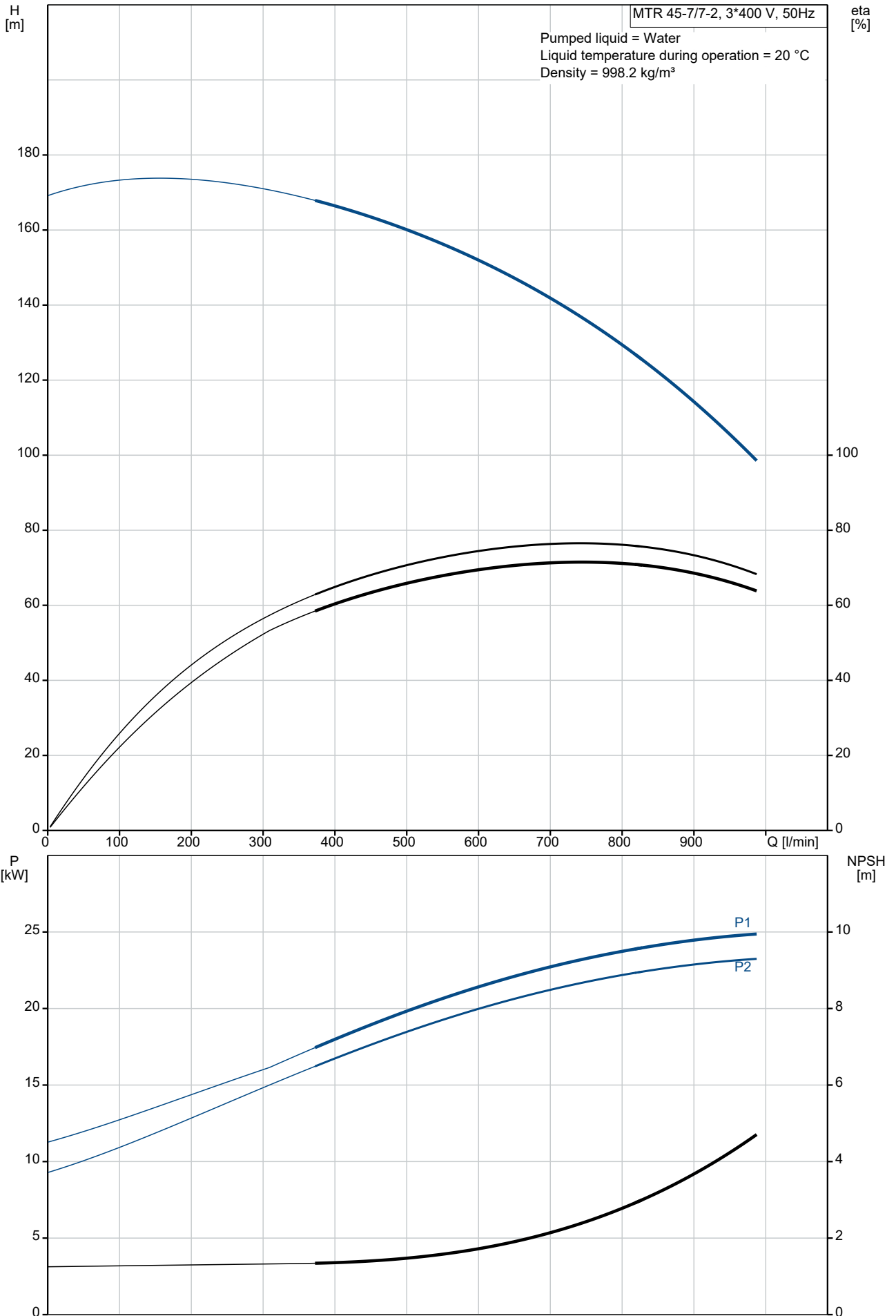


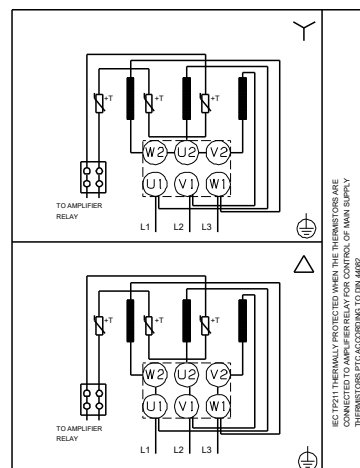
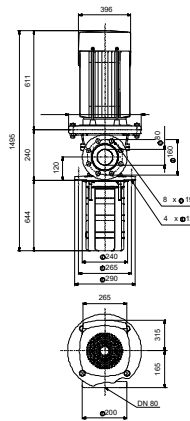
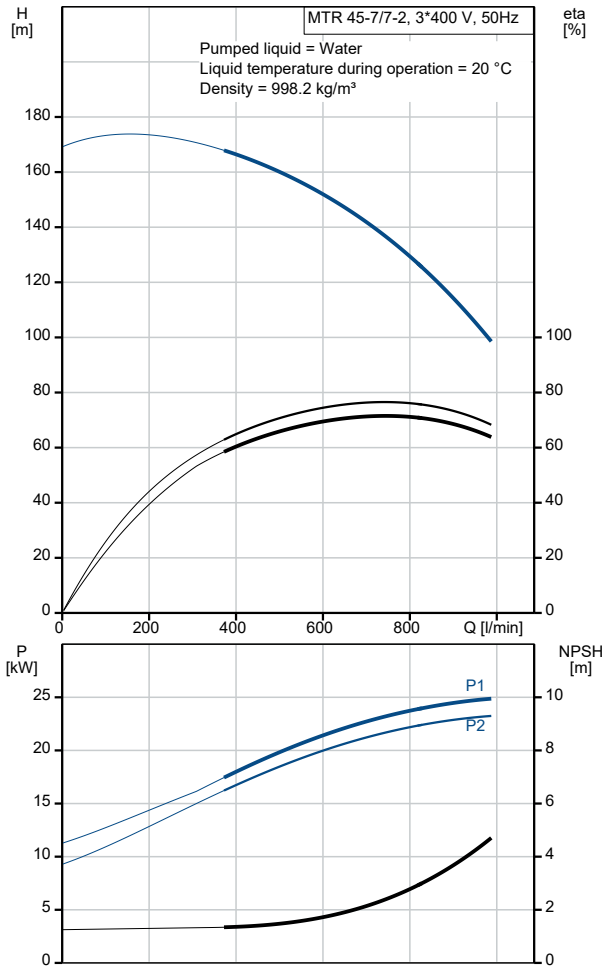
Qty.	Description
1	<p data-bbox="204 163 501 185">MTR 45-7/7-2 A-F-A-HUUV</p>  <p data-bbox="204 483 478 506">Product No.: On request</p> <p data-bbox="204 544 1430 618">Multistage, immersible, self-priming, centrifugal pump for vertical installation in tanks etc. The pump head and base are in cast iron – all other wetted parts are in stainless steel. The pump has the following characteristics:</p> <ul data-bbox="240 629 1114 741" style="list-style-type: none"> • Dimensions according to DIN 5440. • Impellers, intermediate chambers and spline shaft are made of Stainless steel. • Mechanical shaft seal according to EN 12756. • Power transmission via sintered metal split coupling. <p data-bbox="204 750 1430 797">A cartridge shaft seal ensures high reliability, safe handling, and easy access and service. The pump is fitted with a 3-phase, fan-cooled asynchronous motor.</p> <p data-bbox="204 837 300 860">Controls:</p> <p data-bbox="204 869 635 891">Frequency converter: NONE</p> <p data-bbox="204 927 272 949">Liquid:</p> <p data-bbox="204 958 635 981">Pumped liquid: Water</p> <p data-bbox="204 990 687 1012">Liquid temperature range: -10 .. 90 °C</p> <p data-bbox="204 1021 635 1043">Selected liquid temperature: 20 °C</p> <p data-bbox="204 1052 695 1075">Density: 998.2 kg/m³</p> <p data-bbox="204 1111 316 1133">Technical:</p> <p data-bbox="204 1142 820 1164">Pump speed on which pump data are based: 2951 rpm</p> <p data-bbox="204 1173 667 1196">Rated flow: 750 l/min</p> <p data-bbox="204 1205 655 1227">Rated head: 135.9 m</p> <p data-bbox="204 1236 580 1258">Chambers: 7</p> <p data-bbox="204 1267 580 1290">Drainage back to tank: N</p> <p data-bbox="204 1299 647 1321">Pump orientation: Vertical</p> <p data-bbox="204 1330 635 1352">Code for shaft seal: HUUV</p> <p data-bbox="204 1361 667 1384">Approvals: CE, EAC</p> <p data-bbox="204 1393 759 1415">Curve tolerance: ISO9906:2012 3B</p> <p data-bbox="204 1451 309 1473">Materials:</p> <p data-bbox="204 1482 801 1550">Pump head: Cast iron EN 1561 EN-GJL-200 ASTM A48-25B</p> <p data-bbox="204 1559 724 1639">Impeller: Stainless steel EN 1.4301 AISI 304</p> <p data-bbox="204 1675 325 1697">Installation:</p> <p data-bbox="204 1706 628 1729">t max amb: 55 °C</p> <p data-bbox="204 1738 635 1760">Maximum operating pressure: 25 bar</p> <p data-bbox="204 1769 715 1792">Max pressure at stated temp: 25 bar / 90 °C</p> <p data-bbox="204 1800 608 1823">Type of connection: DIN</p> <p data-bbox="204 1832 635 1854">Size of outlet connection: DN 80</p> <p data-bbox="204 1863 655 1886">Immersion depth: 644 mm</p> <p data-bbox="204 1895 635 1917">Pressure rating for connection: PN 40</p> <p data-bbox="204 1926 635 1948">Flange size for motor: FF350</p> <p data-bbox="204 1984 363 2007">Electrical data:</p> <p data-bbox="204 2016 608 2038">Motor standard: IEC</p> <p data-bbox="204 2047 676 2069">Motor type: SIEMENS</p> <p data-bbox="204 2078 603 2101">IE Efficiency class: IE3</p>

Qty.	Description
1	<p>Rated power - P2: 30 kW Mains frequency: 50 Hz Suitable for 50/60 Hz: N Rated voltage: 3 x 380-420D/660-725Y V Rated current: 53/31 A Starting current: 700-700 % Cos phi - power factor: 0.87 Rated speed: 2955 rpm Efficiency: IE3 93,3% Motor efficiency at full load: 93.3-93.3 % Motor efficiency at 3/4 load: 93.5-93.5 % Motor efficiency at 1/2 load: 92.9-92.9 % Number of poles: 2 Enclosure class (IEC 34-5): IP55 Insulation class (IEC 85): F Motor No: 81U15332</p> <p>Others: Terminal box position: 6 Minimum efficiency index, MEI ≥: 0.70 Net weight: 285 kg Gross weight: 342 kg Shipping volume: 1.12 m³ Country of origin: HU Custom tariff no.: 84137075</p>

On request MTR 45-7/7-2 A-F-A-HUUV 50 Hz

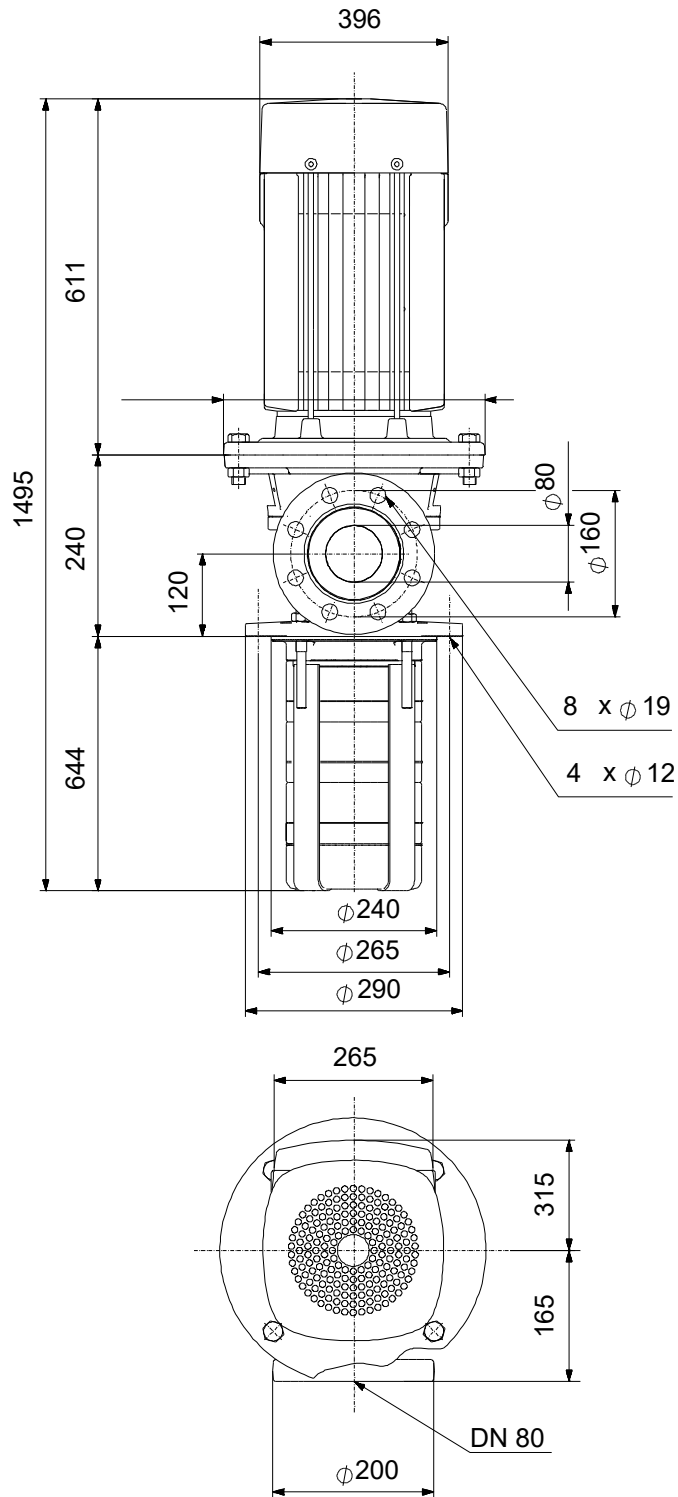


Description	Value
General information:	
Product name:	MTR 45-7/7-2 A-F-A-HUUV
Product No:	On request
EAN number:	On request
Technical:	
Pump speed on which pump data are based:	2951 rpm
Rated flow:	750 l/min
Rated head:	135.9 m
Chambers:	7
Impellers:	7
Number of reduced-diameter impellers:	2
Drainage back to tank:	N
Pump orientation:	Vertical
Code for shaft seal:	HUUV
Approvals:	CE, EAC
Curve tolerance:	ISO9906:2012 3B
Pump version:	A
Model:	B
Materials:	
Pump head:	Cast iron
Pump head:	EN 1561 EN-GJL-200
Pump head:	ASTM A48-25B
Impeller:	Stainless steel
Impeller:	EN 1.4301
Impeller:	AISI 304
Material code:	A
Installation:	
t max amb:	55 °C
Maximum operating pressure:	25 bar
Max pressure at stated temp:	25 bar / 90 °C
Type of connection:	DIN
Size of outlet connection:	DN 80
Immersion depth:	644 mm
Pressure rating for connection:	PN 40
Flange size for motor:	FF350
Connect code:	F
Liquid:	
Pumped liquid:	Water
Liquid temperature range:	-10 .. 90 °C
Selected liquid temperature:	20 °C
Density:	998.2 kg/m ³
Electrical data:	
Motor standard:	IEC
Motor type:	SIEMENS
IE Efficiency class:	IE3
Rated power - P2:	30 kW
Mains frequency:	50 Hz
Suitable for 50/60 Hz:	N
Rated voltage:	3 x 380-420D/660-725Y V
Rated current:	53/31 A
Starting current:	700-700 %
Cos phi - power factor:	0.87
Rated speed:	2951 rpm
Efficiency:	IE3 93,3%
Motor efficiency at full load:	93.3-93.3 %
Motor efficiency at 3/4 load:	93.5-93.5 %
Motor efficiency at 1/2 load:	92.9-92.9 %
Number of poles:	2
Enclosure class (IEC 34-5):	IP55
Insulation class (IEC 85):	F
Built-in motor protection:	PTC
Motor No:	81U15332



Description	Value
Controls:	
Frequency converter:	NONE
Others:	
Terminal box position:	6
Minimum efficiency index, MEI ≥:	0.70
Net weight:	285 kg
Gross weight:	342 kg
Shipping volume:	1.12 m ³
Country of origin:	HU
Custom tariff no.:	84137075

On request MTR 45-7/7-2 A-F-A-HUUV 50 Hz



Note! All units are in [mm] unless others are stated.
Disclaimer: This simplified dimensional drawing does not show all details.

On request MTR 45-7/7-2 A-F-A-HUUV 50 Hz



IEC TP211 THERMALLY PROTECTED WHEN THE THERMISTORS ARE
CONNECTED TO AMPLIFIER RELAY FOR CONTROL OF MAIN SUPPLY
THERMISTORS PTC ACCORDING TO DIN 44082

Note! All units are in [mm] unless others are stated.

Order Data:

Position	Your pos.	Product name	Amount	Product No	Total
		MTR 45-7/7-2	1	On request	Price on request

--	--	--	--	--	--