
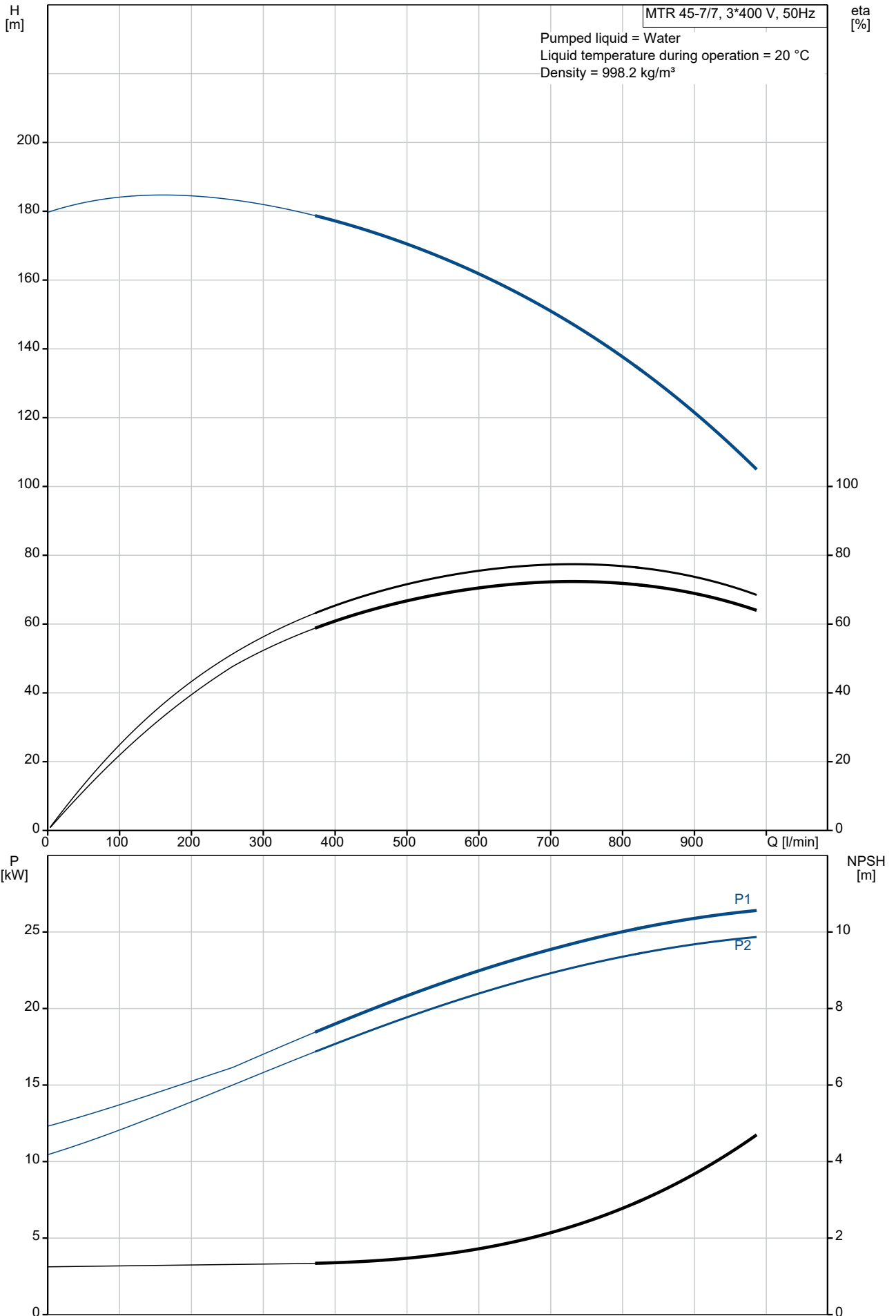


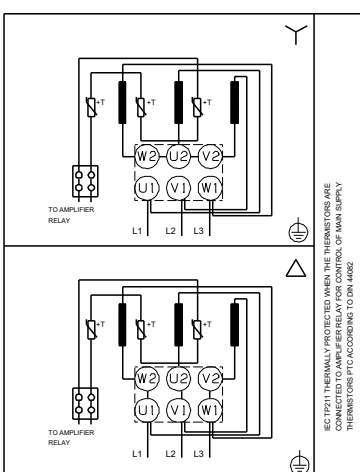
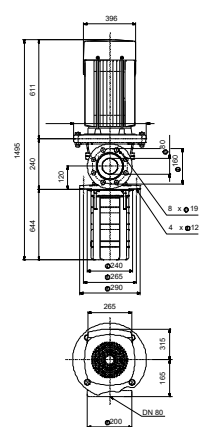
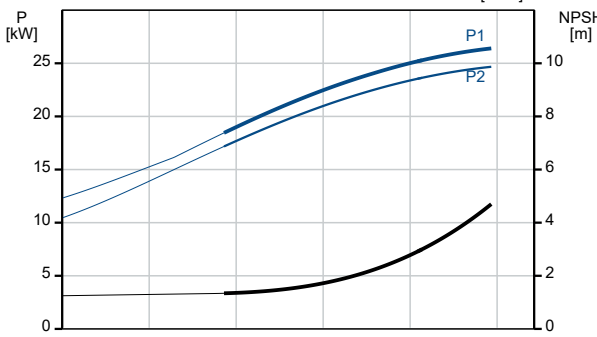
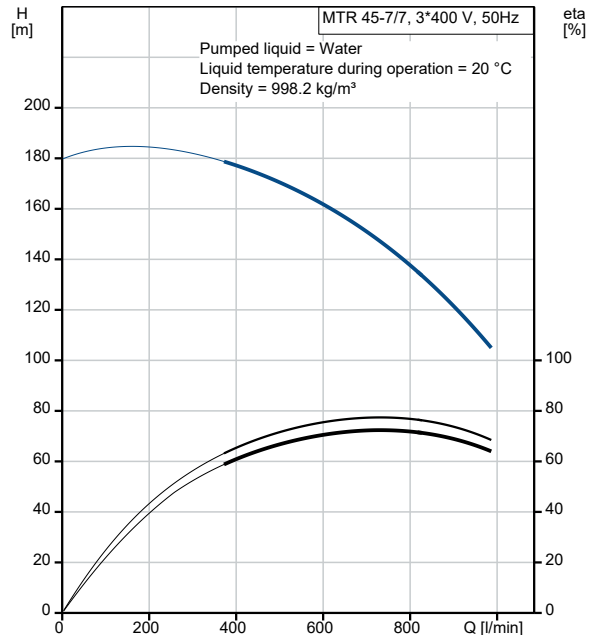
Qty.	Description
1	<p data-bbox="204 163 480 185">MTR 45-7/7 A-F-A-HUUV</p>  <p data-bbox="204 483 480 506">Product No.: On request</p> <p data-bbox="204 546 1430 618">Multistage, immersible, self-priming, centrifugal pump for vertical installation in tanks etc. The pump head and base are in cast iron – all other wetted parts are in stainless steel. The pump has the following characteristics:</p> <ul data-bbox="240 633 1115 745" style="list-style-type: none"> • Dimensions according to DIN 5440. • Impellers, intermediate chambers and spline shaft are made of Stainless steel. • Mechanical shaft seal according to EN 12756. • Power transmission via sintered metal split coupling. <p data-bbox="204 752 1430 801">A cartridge shaft seal ensures high reliability, safe handling, and easy access and service. The pump is fitted with a 3-phase, fan-cooled asynchronous motor.</p> <p data-bbox="204 842 300 864">Controls:</p> <p data-bbox="204 871 636 893">Frequency converter: NONE</p> <p data-bbox="204 931 272 954">Liquid:</p> <p data-bbox="204 960 632 983">Pumped liquid: Water</p> <p data-bbox="204 990 691 1012">Liquid temperature range: -10 .. 90 °C</p> <p data-bbox="204 1019 632 1041">Selected liquid temperature: 20 °C</p> <p data-bbox="204 1048 695 1070">Density: 998.2 kg/m³</p> <p data-bbox="204 1108 316 1131">Technical:</p> <p data-bbox="204 1137 818 1160">Pump speed on which pump data are based: 2951 rpm</p> <p data-bbox="204 1167 667 1189">Rated flow: 750 l/min</p> <p data-bbox="204 1196 655 1218">Rated head: 143.9 m</p> <p data-bbox="204 1225 580 1247">Chambers: 7</p> <p data-bbox="204 1254 580 1276">Drainage back to tank: N</p> <p data-bbox="204 1283 647 1305">Pump orientation: Vertical</p> <p data-bbox="204 1312 636 1335">Code for shaft seal: HUUV</p> <p data-bbox="204 1341 663 1364">Approvals: CE, EAC</p> <p data-bbox="204 1370 759 1393">Curve tolerance: ISO9906:2012 3B</p> <p data-bbox="204 1431 309 1453">Materials:</p> <p data-bbox="204 1460 802 1543">Pump head: Cast iron EN 1561 EN-GJL-200 ASTM A48-25B</p> <p data-bbox="204 1550 724 1632">Impeller: Stainless steel EN 1.4301 AISI 304</p> <p data-bbox="204 1671 325 1693">Installation:</p> <p data-bbox="204 1700 628 1722">t max amb: 55 °C</p> <p data-bbox="204 1729 636 1751">Maximum operating pressure: 25 bar</p> <p data-bbox="204 1758 716 1780">Max pressure at stated temp: 25 bar / 90 °C</p> <p data-bbox="204 1787 608 1809">Type of connection: DIN</p> <p data-bbox="204 1816 636 1839">Size of outlet connection: DN 80</p> <p data-bbox="204 1845 655 1868">Immersion depth: 644 mm</p> <p data-bbox="204 1874 636 1897">Pressure rating for connection: PN 40</p> <p data-bbox="204 1904 636 1926">Flange size for motor: FF350</p> <p data-bbox="204 1964 363 1986">Electrical data:</p> <p data-bbox="204 1993 608 2016">Motor standard: IEC</p> <p data-bbox="204 2022 676 2045">Motor type: SIEMENS</p> <p data-bbox="204 2051 604 2074">IE Efficiency class: IE3</p>

Qty.	Description																																																		
1	<table> <tr> <td>Rated power - P2:</td> <td>30 kW</td> </tr> <tr> <td>Mains frequency:</td> <td>50 Hz</td> </tr> <tr> <td>Suitable for 50/60 Hz:</td> <td>N</td> </tr> <tr> <td>Rated voltage:</td> <td>3 x 380-420D/660-725Y V</td> </tr> <tr> <td>Rated current:</td> <td>53/31 A</td> </tr> <tr> <td>Starting current:</td> <td>700-700 %</td> </tr> <tr> <td>Cos phi - power factor:</td> <td>0.87</td> </tr> <tr> <td>Rated speed:</td> <td>2955 rpm</td> </tr> <tr> <td>Efficiency:</td> <td>IE3 93,3%</td> </tr> <tr> <td>Motor efficiency at full load:</td> <td>93.3-93.3 %</td> </tr> <tr> <td>Motor efficiency at 3/4 load:</td> <td>93.5-93.5 %</td> </tr> <tr> <td>Motor efficiency at 1/2 load:</td> <td>92.9-92.9 %</td> </tr> <tr> <td>Number of poles:</td> <td>2</td> </tr> <tr> <td>Enclosure class (IEC 34-5):</td> <td>IP55</td> </tr> <tr> <td>Insulation class (IEC 85):</td> <td>F</td> </tr> <tr> <td>Motor No:</td> <td>81U15332</td> </tr> <tr> <td colspan="2">Others:</td> </tr> <tr> <td>Terminal box position:</td> <td>6</td> </tr> <tr> <td>Minimum efficiency index, MEI ≥:</td> <td>0.70</td> </tr> <tr> <td>Net weight:</td> <td>285 kg</td> </tr> <tr> <td>Gross weight:</td> <td>342 kg</td> </tr> <tr> <td>Shipping volume:</td> <td>1.12 m³</td> </tr> <tr> <td>Danish VVS No.:</td> <td>386970007</td> </tr> <tr> <td>Country of origin:</td> <td>HU</td> </tr> <tr> <td>Custom tariff no.:</td> <td>84137075</td> </tr> </table>	Rated power - P2:	30 kW	Mains frequency:	50 Hz	Suitable for 50/60 Hz:	N	Rated voltage:	3 x 380-420D/660-725Y V	Rated current:	53/31 A	Starting current:	700-700 %	Cos phi - power factor:	0.87	Rated speed:	2955 rpm	Efficiency:	IE3 93,3%	Motor efficiency at full load:	93.3-93.3 %	Motor efficiency at 3/4 load:	93.5-93.5 %	Motor efficiency at 1/2 load:	92.9-92.9 %	Number of poles:	2	Enclosure class (IEC 34-5):	IP55	Insulation class (IEC 85):	F	Motor No:	81U15332	Others:		Terminal box position:	6	Minimum efficiency index, MEI ≥:	0.70	Net weight:	285 kg	Gross weight:	342 kg	Shipping volume:	1.12 m ³	Danish VVS No.:	386970007	Country of origin:	HU	Custom tariff no.:	84137075
Rated power - P2:	30 kW																																																		
Mains frequency:	50 Hz																																																		
Suitable for 50/60 Hz:	N																																																		
Rated voltage:	3 x 380-420D/660-725Y V																																																		
Rated current:	53/31 A																																																		
Starting current:	700-700 %																																																		
Cos phi - power factor:	0.87																																																		
Rated speed:	2955 rpm																																																		
Efficiency:	IE3 93,3%																																																		
Motor efficiency at full load:	93.3-93.3 %																																																		
Motor efficiency at 3/4 load:	93.5-93.5 %																																																		
Motor efficiency at 1/2 load:	92.9-92.9 %																																																		
Number of poles:	2																																																		
Enclosure class (IEC 34-5):	IP55																																																		
Insulation class (IEC 85):	F																																																		
Motor No:	81U15332																																																		
Others:																																																			
Terminal box position:	6																																																		
Minimum efficiency index, MEI ≥:	0.70																																																		
Net weight:	285 kg																																																		
Gross weight:	342 kg																																																		
Shipping volume:	1.12 m ³																																																		
Danish VVS No.:	386970007																																																		
Country of origin:	HU																																																		
Custom tariff no.:	84137075																																																		

On request MTR 45-7/7 A-F-A-HUUV 50 Hz

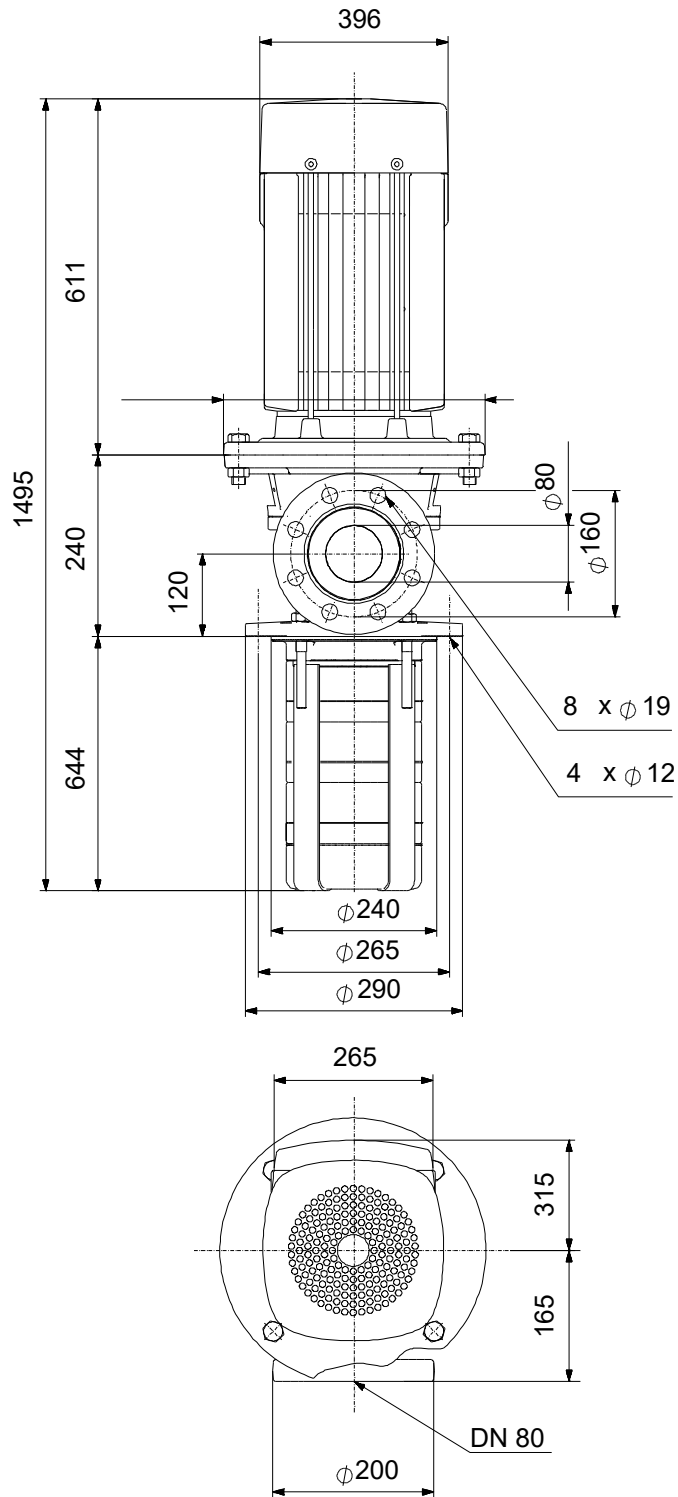


Description	Value
General information:	
Product name:	MTR 45-7/7 A-F-A-HUUU
Product No:	On request
EAN number:	On request
Technical:	
Pump speed on which pump data are based:	2951 rpm
Rated flow:	750 l/min
Rated head:	143.9 m
Chambers:	7
Impellers:	7
Number of reduced-diameter impellers:	0
Drainage back to tank:	N
Pump orientation:	Vertical
Code for shaft seal:	HUUU
Approvals:	CE, EAC
Curve tolerance:	ISO9906:2012 3B
Pump version:	A
Model:	B
Materials:	
Pump head:	Cast iron
Pump head:	EN 1561 EN-GJL-200
Pump head:	ASTM A48-25B
Impeller:	Stainless steel
Impeller:	EN 1.4301
Impeller:	AISI 304
Material code:	A
Installation:	
t max amb:	55 °C
Maximum operating pressure:	25 bar
Max pressure at stated temp:	25 bar / 90 °C
Type of connection:	DIN
Size of outlet connection:	DN 80
Immersion depth:	644 mm
Pressure rating for connection:	PN 40
Flange size for motor:	FF350
Connect code:	F
Liquid:	
Pumped liquid:	Water
Liquid temperature range:	-10 .. 90 °C
Selected liquid temperature:	20 °C
Density:	998.2 kg/m ³
Electrical data:	
Motor standard:	IEC
Motor type:	SIEMENS
IE Efficiency class:	IE3
Rated power - P2:	30 kW
Mains frequency:	50 Hz
Suitable for 50/60 Hz:	N
Rated voltage:	3 x 380-420D/660-725Y V
Rated current:	53/31 A
Starting current:	700-700 %
Cos phi - power factor:	0.87
Rated speed:	2955 rpm
Efficiency:	IE3 93,3%
Motor efficiency at full load:	93.3-93.3 %
Motor efficiency at 3/4 load:	93.5-93.5 %
Motor efficiency at 1/2 load:	92.9-92.9 %
Number of poles:	2
Enclosure class (IEC 34-5):	IP55
Insulation class (IEC 85):	F
Built-in motor protection:	PTC
Motor No:	81U15332



Description	Value
Controls:	
Frequency converter:	NONE
Others:	
Terminal box position:	6
Minimum efficiency index, MEI ≥:	0.70
Net weight:	285 kg
Gross weight:	342 kg
Shipping volume:	1.12 m ³
Danish VVS No.:	386970007
Country of origin:	HU
Custom tariff no.:	84137075

On request MTR 45-7/7 A-F-A-HUUV 50 Hz



Note! All units are in [mm] unless others are stated.
Disclaimer: This simplified dimensional drawing does not show all details.

On request MTR 45-7/7 A-F-A-HUUV 50 Hz



Note! All units are in [mm] unless others are stated.

Order Data:

Position	Your pos.	Product name	Amount	Product No	Total
		MTR 45-7/7	1	On request	Price on request