
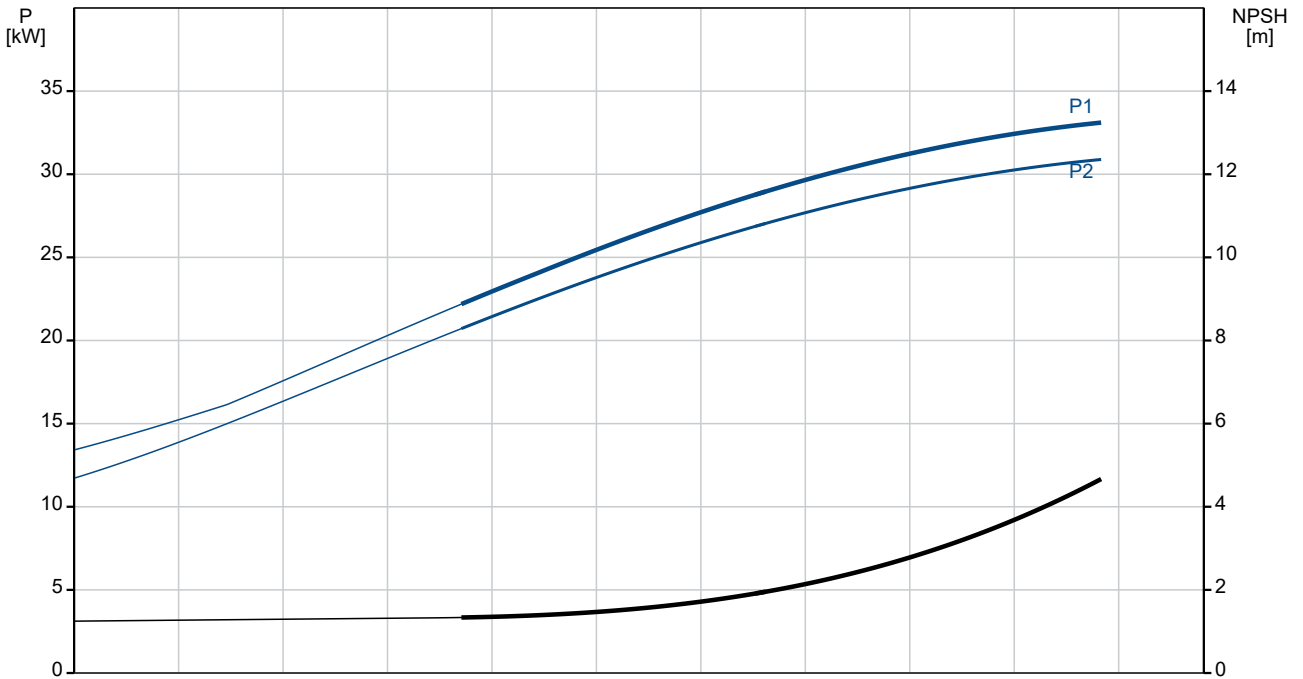
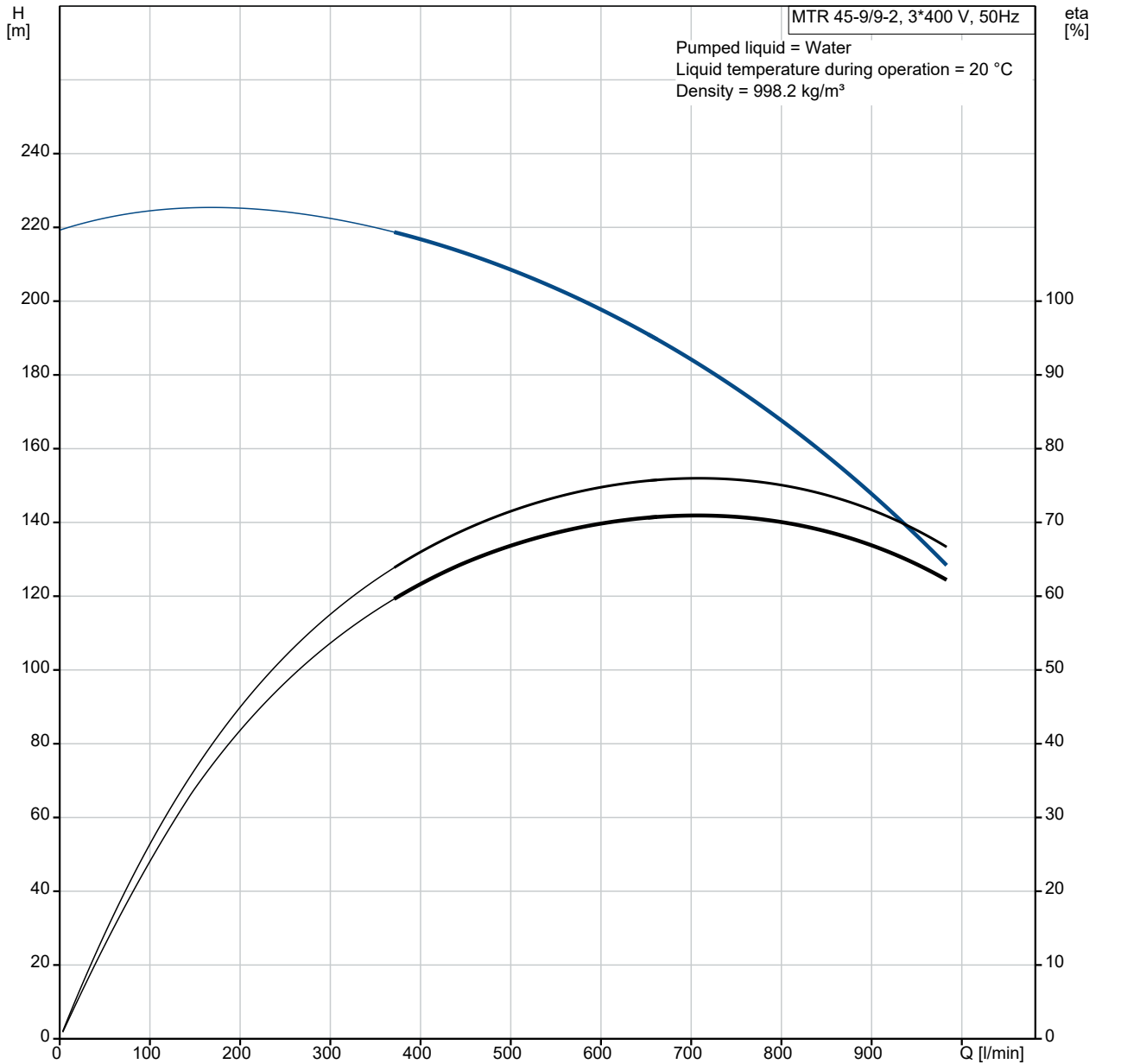


Qty.	Description
1	<p data-bbox="196 159 502 185"><b>MTR 45-9/9-2 A-F-A-HUUV</b></p>  <p data-bbox="196 479 480 506">Product No.: On request</p> <p data-bbox="196 539 1430 618">Multistage, immersible, self-priming, centrifugal pump for vertical installation in tanks etc. The pump head and base are in cast iron – all other wetted parts are in stainless steel. The pump has the following characteristics:</p> <ul data-bbox="240 629 1117 741" style="list-style-type: none"> <li>• Dimensions according to DIN 5440.</li> <li>• Impellers, intermediate chambers and spline shaft are made of Stainless steel.</li> <li>• Mechanical shaft seal according to EN 12756.</li> <li>• Power transmission via sintered metal split coupling.</li> </ul> <p data-bbox="196 748 1430 797">A cartridge shaft seal ensures high reliability, safe handling, and easy access and service. The pump is fitted with a 3-phase, fan-cooled asynchronous motor.</p> <p data-bbox="196 831 304 857">Controls:</p> <p data-bbox="196 864 638 891">Frequency converter: NONE</p> <p data-bbox="196 925 277 952">Liquid:</p> <p data-bbox="196 958 699 1070">Pumped liquid: Water Liquid temperature range: -10 .. 90 °C Selected liquid temperature: 20 °C Density: 998.2 kg/m<sup>3</sup></p> <p data-bbox="196 1104 316 1131">Technical:</p> <p data-bbox="196 1137 820 1397">Pump speed on which pump data are based: 2951 rpm Rated flow: 750 l/min Rated head: 175.5 m Chambers: 9 Drainage back to tank: N Pump orientation: Vertical Code for shaft seal: HUUV Approvals: CE, EAC Curve tolerance: ISO9906:2012 3B</p> <p data-bbox="196 1431 309 1458">Materials:</p> <p data-bbox="196 1464 802 1632">Pump head: Cast iron EN 1561 EN-GJL-200 ASTM A48-25B Impeller: Stainless steel EN 1.4301 AISI 304</p> <p data-bbox="196 1666 325 1693">Installation:</p> <p data-bbox="196 1700 718 1935">t max amb: 55 °C Maximum operating pressure: 25 bar Max pressure at stated temp: 25 bar / 90 °C Type of connection: DIN Size of outlet connection: DN 80 Immersion depth: 804 mm Pressure rating for connection: PN 40 Flange size for motor: FF350</p> <p data-bbox="196 1968 363 1995">Electrical data:</p> <p data-bbox="196 2002 676 2083">Motor standard: IEC Motor type: SIEMENS IE Efficiency class: IE3</p>

Qty.	Description																																																
1	<table> <tr> <td>Rated power - P2:</td> <td>30 kW</td> </tr> <tr> <td>Mains frequency:</td> <td>50 Hz</td> </tr> <tr> <td>Suitable for 50/60 Hz:</td> <td>N</td> </tr> <tr> <td>Rated voltage:</td> <td>3 x 380-420D/660-725Y V</td> </tr> <tr> <td>Rated current:</td> <td>53/31 A</td> </tr> <tr> <td>Starting current:</td> <td>700-700 %</td> </tr> <tr> <td>Cos phi - power factor:</td> <td>0.87</td> </tr> <tr> <td>Rated speed:</td> <td>2955 rpm</td> </tr> <tr> <td>Efficiency:</td> <td>IE3 93,3%</td> </tr> <tr> <td>Motor efficiency at full load:</td> <td>93.3-93.3 %</td> </tr> <tr> <td>Motor efficiency at 3/4 load:</td> <td>93.5-93.5 %</td> </tr> <tr> <td>Motor efficiency at 1/2 load:</td> <td>92.9-92.9 %</td> </tr> <tr> <td>Number of poles:</td> <td>2</td> </tr> <tr> <td>Enclosure class (IEC 34-5):</td> <td>IP55</td> </tr> <tr> <td>Insulation class (IEC 85):</td> <td>F</td> </tr> <tr> <td>Motor No:</td> <td>81U15332</td> </tr> <tr> <td colspan="2">Others:</td> </tr> <tr> <td>Terminal box position:</td> <td>6</td> </tr> <tr> <td>Minimum efficiency index, MEI ≥:</td> <td>0.70</td> </tr> <tr> <td>Net weight:</td> <td>286 kg</td> </tr> <tr> <td>Gross weight:</td> <td>343 kg</td> </tr> <tr> <td>Shipping volume:</td> <td>1.12 m<sup>3</sup></td> </tr> <tr> <td>Country of origin:</td> <td>HU</td> </tr> <tr> <td>Custom tariff no.:</td> <td>84137075</td> </tr> </table>	Rated power - P2:	30 kW	Mains frequency:	50 Hz	Suitable for 50/60 Hz:	N	Rated voltage:	3 x 380-420D/660-725Y V	Rated current:	53/31 A	Starting current:	700-700 %	Cos phi - power factor:	0.87	Rated speed:	2955 rpm	Efficiency:	IE3 93,3%	Motor efficiency at full load:	93.3-93.3 %	Motor efficiency at 3/4 load:	93.5-93.5 %	Motor efficiency at 1/2 load:	92.9-92.9 %	Number of poles:	2	Enclosure class (IEC 34-5):	IP55	Insulation class (IEC 85):	F	Motor No:	81U15332	Others:		Terminal box position:	6	Minimum efficiency index, MEI ≥:	0.70	Net weight:	286 kg	Gross weight:	343 kg	Shipping volume:	1.12 m <sup>3</sup>	Country of origin:	HU	Custom tariff no.:	84137075
Rated power - P2:	30 kW																																																
Mains frequency:	50 Hz																																																
Suitable for 50/60 Hz:	N																																																
Rated voltage:	3 x 380-420D/660-725Y V																																																
Rated current:	53/31 A																																																
Starting current:	700-700 %																																																
Cos phi - power factor:	0.87																																																
Rated speed:	2955 rpm																																																
Efficiency:	IE3 93,3%																																																
Motor efficiency at full load:	93.3-93.3 %																																																
Motor efficiency at 3/4 load:	93.5-93.5 %																																																
Motor efficiency at 1/2 load:	92.9-92.9 %																																																
Number of poles:	2																																																
Enclosure class (IEC 34-5):	IP55																																																
Insulation class (IEC 85):	F																																																
Motor No:	81U15332																																																
Others:																																																	
Terminal box position:	6																																																
Minimum efficiency index, MEI ≥:	0.70																																																
Net weight:	286 kg																																																
Gross weight:	343 kg																																																
Shipping volume:	1.12 m <sup>3</sup>																																																
Country of origin:	HU																																																
Custom tariff no.:	84137075																																																

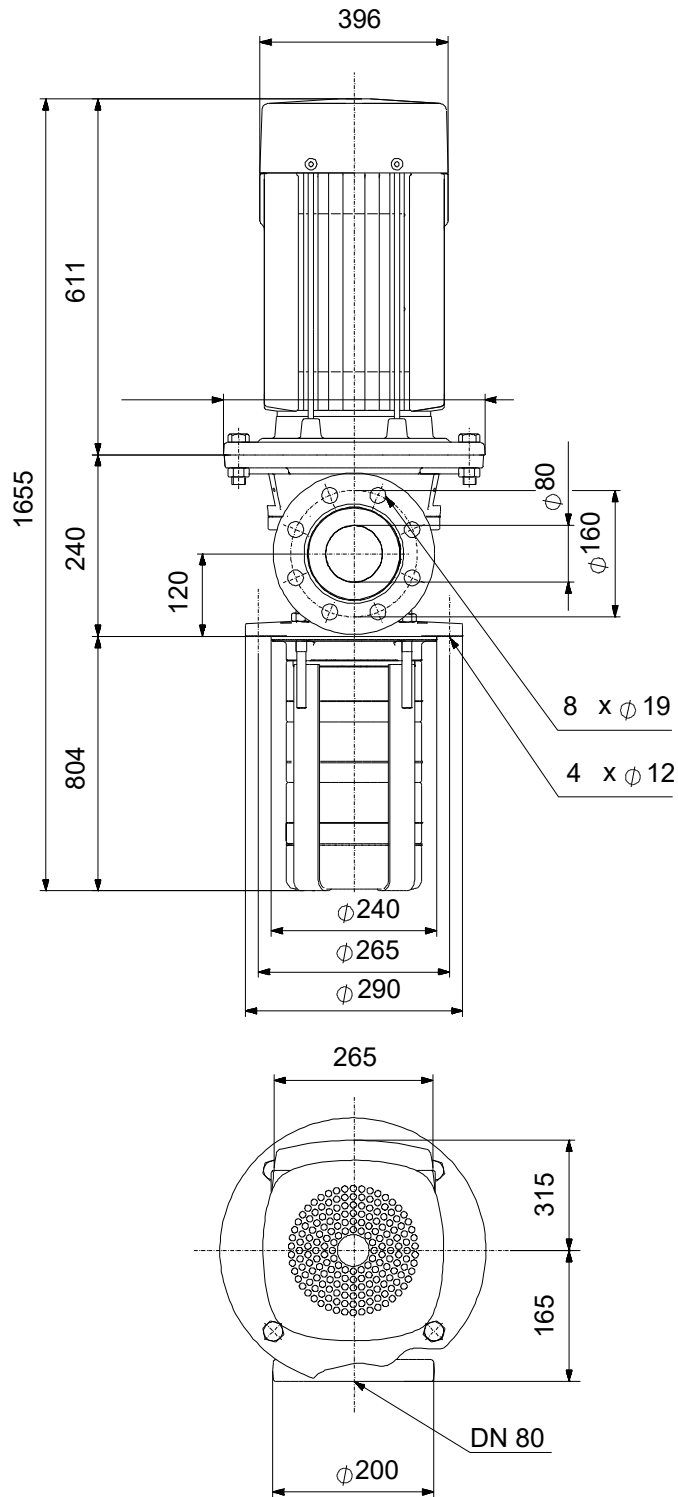
# On request MTR 45-9/9-2 A-F-A-HUUV 50 Hz





Description	Value
<b>Controls:</b>	
Frequency converter:	NONE
<b>Others:</b>	
Terminal box position:	6
Minimum efficiency index, MEI ≥:	0.70
Net weight:	286 kg
Gross weight:	343 kg
Shipping volume:	1.12 m <sup>3</sup>
Country of origin:	HU
Custom tariff no.:	84137075

# On request MTR 45-9/9-2 A-F-A-HUUUV 50 Hz



Note! All units are in [mm] unless others are stated.  
Disclaimer: This simplified dimensional drawing does not show all details.

**On request MTR 45-9/9-2 A-F-A-HUUV 50 Hz**



IEC TP211 THERMALLY PROTECTED WHEN THE THERMISTORS ARE  
CONNECTED TO AMPLIFIER RELAY FOR CONTROL OF MAIN SUPPLY  
THERMISTORS PTC ACCORDING TO DIN 44082

Note! All units are in [mm] unless others are stated.

