
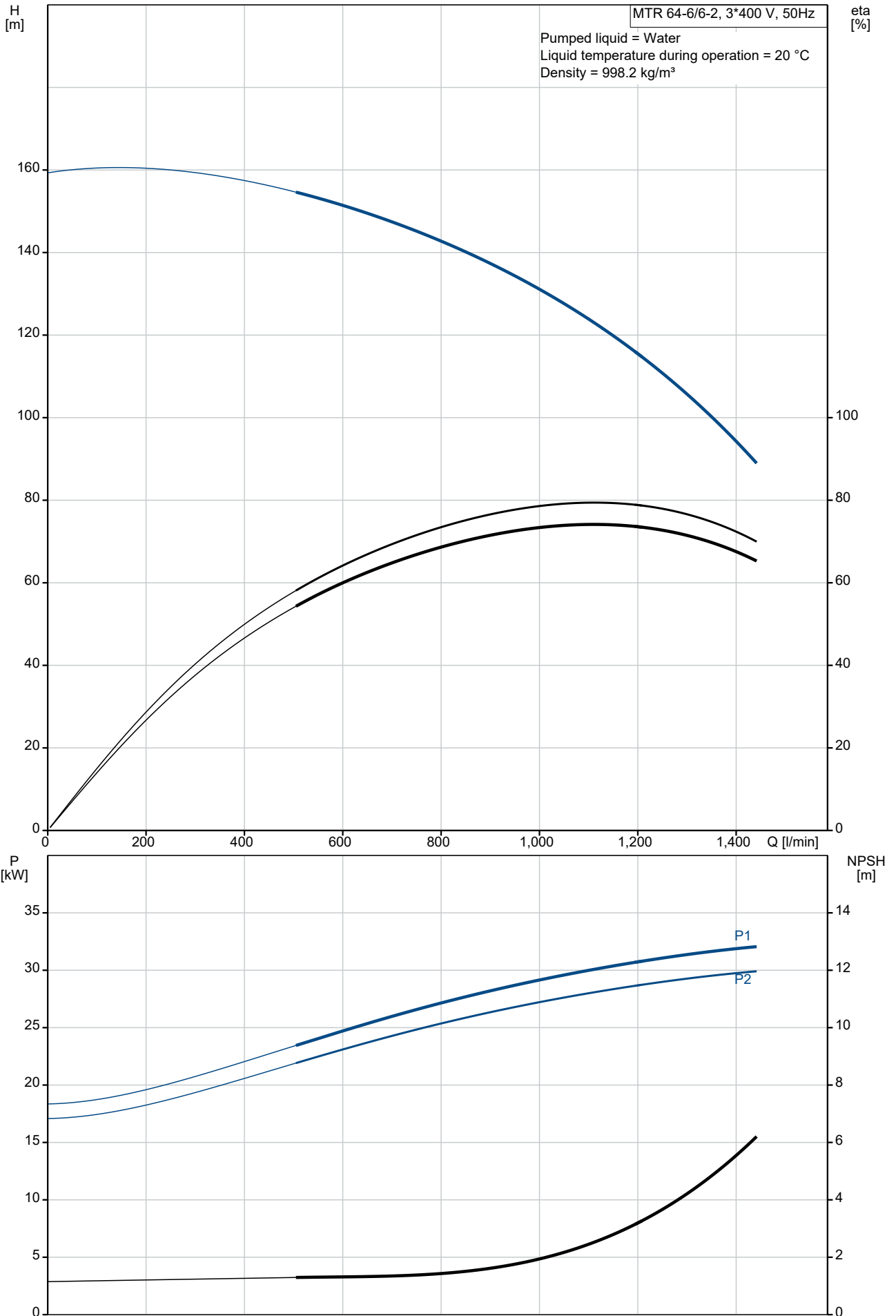


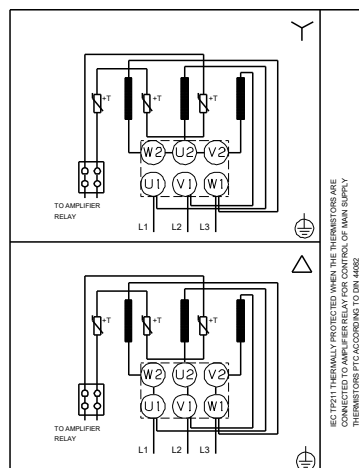
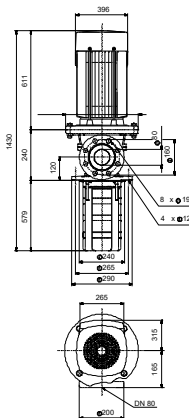
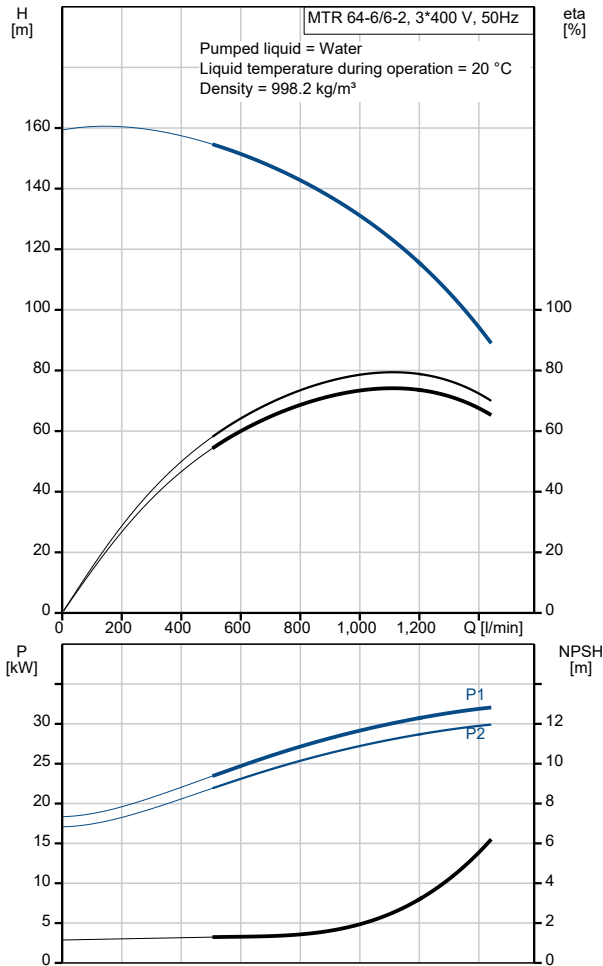
Qty.	Description
1	<p data-bbox="204 163 501 185">MTR 64-6/6-2 A-F-A-HUUV</p>  <p data-bbox="204 483 478 506">Product No.: On request</p> <p data-bbox="204 544 1430 618">Multistage, immersible, self-priming, centrifugal pump for vertical installation in tanks etc. The pump head and base are in cast iron – all other wetted parts are in stainless steel. The pump has the following characteristics:</p> <ul data-bbox="240 629 1114 745" style="list-style-type: none"> • Dimensions according to DIN 5440. • Impellers, intermediate chambers and spline shaft are made of Stainless steel. • Mechanical shaft seal according to EN 12756. • Power transmission via sintered metal split coupling. <p data-bbox="204 750 1430 799">A cartridge shaft seal ensures high reliability, safe handling, and easy access and service. The pump is fitted with a 3-phase, fan-cooled asynchronous motor.</p> <p data-bbox="204 837 300 860">Controls:</p> <p data-bbox="204 866 635 889">Frequency converter: NONE</p> <p data-bbox="204 927 276 949">Liquid:</p> <p data-bbox="204 956 632 978">Pumped liquid: Water</p> <p data-bbox="204 985 687 1008">Liquid temperature range: -10 .. 90 °C</p> <p data-bbox="204 1014 628 1037">Selected liquid temperature: 20 °C</p> <p data-bbox="204 1043 695 1066">Density: 998.2 kg/m³</p> <p data-bbox="204 1104 312 1126">Technical:</p> <p data-bbox="204 1133 818 1155">Pump speed on which pump data are based: 2951 rpm</p> <p data-bbox="204 1162 679 1184">Rated flow: 1070 l/min</p> <p data-bbox="204 1191 655 1214">Rated head: 123.9 m</p> <p data-bbox="204 1220 579 1243">Chambers: 6</p> <p data-bbox="204 1249 579 1272">Drainage back to tank: N</p> <p data-bbox="204 1279 647 1301">Pump orientation: Vertical</p> <p data-bbox="204 1308 635 1330">Code for shaft seal: HUUV</p> <p data-bbox="204 1337 663 1359">Approvals: CE, EAC</p> <p data-bbox="204 1366 759 1388">Curve tolerance: ISO9906:2012 3B</p> <p data-bbox="204 1426 308 1449">Materials:</p> <p data-bbox="204 1456 802 1543">Pump head: Cast iron EN 1561 EN-GJL-200 ASTM A48-25B</p> <p data-bbox="204 1550 722 1637">Impeller: Stainless steel EN 1.4301 AISI 304</p> <p data-bbox="204 1675 325 1697">Installation:</p> <p data-bbox="204 1704 628 1727">t max amb: 55 °C</p> <p data-bbox="204 1733 635 1756">Maximum operating pressure: 25 bar</p> <p data-bbox="204 1762 715 1785">Max pressure at stated temp: 25 bar / 90 °C</p> <p data-bbox="204 1792 608 1814">Type of connection: DIN</p> <p data-bbox="204 1821 635 1843">Size of outlet connection: DN 80</p> <p data-bbox="204 1850 655 1872">Immersion depth: 579 mm</p> <p data-bbox="204 1879 635 1901">Pressure rating for connection: PN 40</p> <p data-bbox="204 1908 635 1930">Flange size for motor: FF350</p> <p data-bbox="204 1968 360 1991">Electrical data:</p> <p data-bbox="204 1998 608 2020">Motor standard: IEC</p> <p data-bbox="204 2027 675 2049">Motor type: SIEMENS</p> <p data-bbox="204 2056 603 2078">IE Efficiency class: IE3</p>

Qty.	Description																																																
1	<table> <tr> <td>Rated power - P2:</td> <td>30 kW</td> </tr> <tr> <td>Mains frequency:</td> <td>50 Hz</td> </tr> <tr> <td>Suitable for 50/60 Hz:</td> <td>N</td> </tr> <tr> <td>Rated voltage:</td> <td>3 x 380-420D/660-725Y V</td> </tr> <tr> <td>Rated current:</td> <td>53/31 A</td> </tr> <tr> <td>Starting current:</td> <td>700-700 %</td> </tr> <tr> <td>Cos phi - power factor:</td> <td>0.87</td> </tr> <tr> <td>Rated speed:</td> <td>2955 rpm</td> </tr> <tr> <td>Efficiency:</td> <td>IE3 93,3%</td> </tr> <tr> <td>Motor efficiency at full load:</td> <td>93.3-93.3 %</td> </tr> <tr> <td>Motor efficiency at 3/4 load:</td> <td>93.5-93.5 %</td> </tr> <tr> <td>Motor efficiency at 1/2 load:</td> <td>92.9-92.9 %</td> </tr> <tr> <td>Number of poles:</td> <td>2</td> </tr> <tr> <td>Enclosure class (IEC 34-5):</td> <td>IP55</td> </tr> <tr> <td>Insulation class (IEC 85):</td> <td>F</td> </tr> <tr> <td>Motor No:</td> <td>81U15332</td> </tr> <tr> <td colspan="2">Others:</td> </tr> <tr> <td>Terminal box position:</td> <td>6</td> </tr> <tr> <td>Minimum efficiency index, MEI ≥:</td> <td>0.70</td> </tr> <tr> <td>Net weight:</td> <td>288 kg</td> </tr> <tr> <td>Gross weight:</td> <td>345 kg</td> </tr> <tr> <td>Shipping volume:</td> <td>1.12 m³</td> </tr> <tr> <td>Country of origin:</td> <td>HU</td> </tr> <tr> <td>Custom tariff no.:</td> <td>84137075</td> </tr> </table>	Rated power - P2:	30 kW	Mains frequency:	50 Hz	Suitable for 50/60 Hz:	N	Rated voltage:	3 x 380-420D/660-725Y V	Rated current:	53/31 A	Starting current:	700-700 %	Cos phi - power factor:	0.87	Rated speed:	2955 rpm	Efficiency:	IE3 93,3%	Motor efficiency at full load:	93.3-93.3 %	Motor efficiency at 3/4 load:	93.5-93.5 %	Motor efficiency at 1/2 load:	92.9-92.9 %	Number of poles:	2	Enclosure class (IEC 34-5):	IP55	Insulation class (IEC 85):	F	Motor No:	81U15332	Others:		Terminal box position:	6	Minimum efficiency index, MEI ≥:	0.70	Net weight:	288 kg	Gross weight:	345 kg	Shipping volume:	1.12 m ³	Country of origin:	HU	Custom tariff no.:	84137075
Rated power - P2:	30 kW																																																
Mains frequency:	50 Hz																																																
Suitable for 50/60 Hz:	N																																																
Rated voltage:	3 x 380-420D/660-725Y V																																																
Rated current:	53/31 A																																																
Starting current:	700-700 %																																																
Cos phi - power factor:	0.87																																																
Rated speed:	2955 rpm																																																
Efficiency:	IE3 93,3%																																																
Motor efficiency at full load:	93.3-93.3 %																																																
Motor efficiency at 3/4 load:	93.5-93.5 %																																																
Motor efficiency at 1/2 load:	92.9-92.9 %																																																
Number of poles:	2																																																
Enclosure class (IEC 34-5):	IP55																																																
Insulation class (IEC 85):	F																																																
Motor No:	81U15332																																																
Others:																																																	
Terminal box position:	6																																																
Minimum efficiency index, MEI ≥:	0.70																																																
Net weight:	288 kg																																																
Gross weight:	345 kg																																																
Shipping volume:	1.12 m ³																																																
Country of origin:	HU																																																
Custom tariff no.:	84137075																																																

On request MTR 64-6/6-2 A-F-A-HUUV 50 Hz

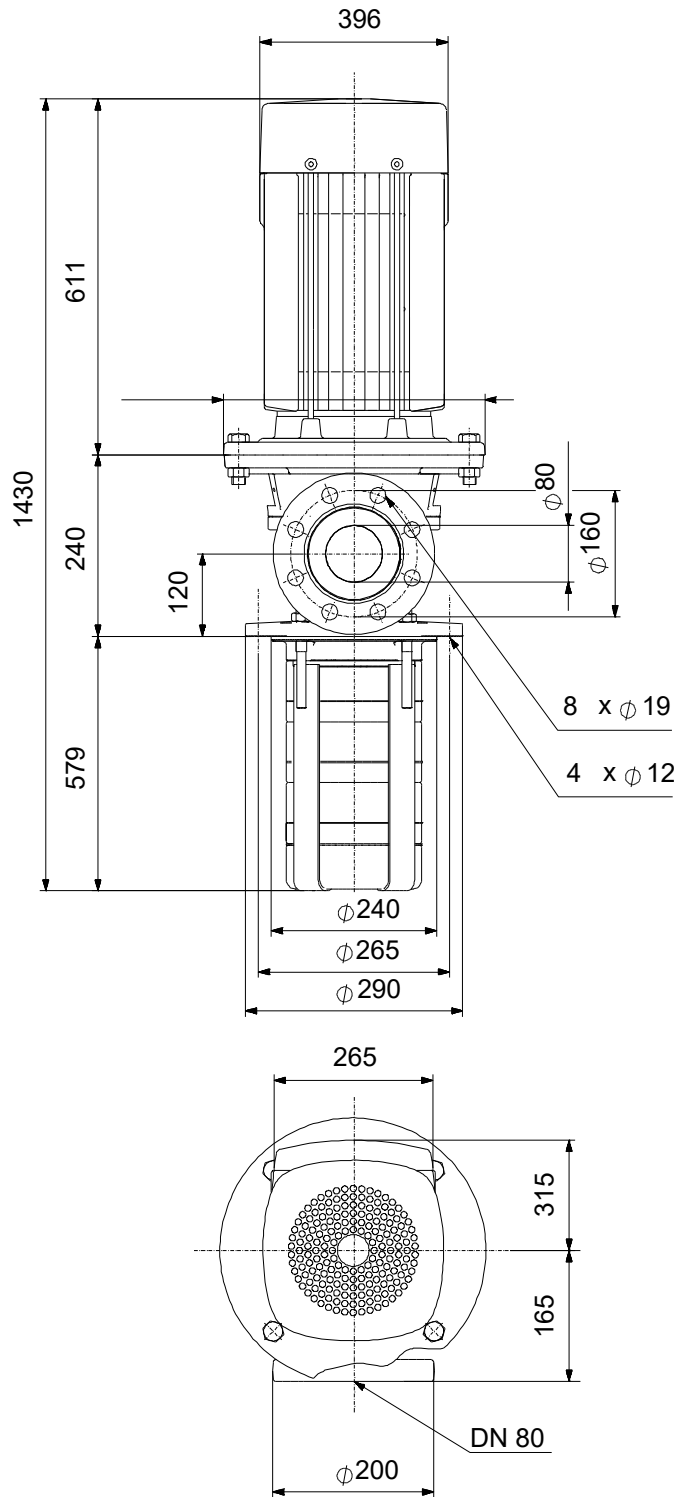


Description	Value
General information:	
Product name:	MTR 64-6/6-2 A-F-A-HUUV
Product No:	On request
EAN number:	On request
Technical:	
Pump speed on which pump data are based:	2951 rpm
Rated flow:	1070 l/min
Rated head:	123.9 m
Chambers:	6
Impellers:	6
Number of reduced-diameter impellers:	2
Drainage back to tank:	N
Pump orientation:	Vertical
Code for shaft seal:	HUUV
Approvals:	CE, EAC
Curve tolerance:	ISO9906:2012 3B
Pump version:	A
Model:	B
Materials:	
Pump head:	Cast iron
Pump head:	EN 1561 EN-GJL-200
Pump head:	ASTM A48-25B
Impeller:	Stainless steel
Impeller:	EN 1.4301
Impeller:	AISI 304
Material code:	A
Installation:	
t max amb:	55 °C
Maximum operating pressure:	25 bar
Max pressure at stated temp:	25 bar / 90 °C
Type of connection:	DIN
Size of outlet connection:	DN 80
Immersion depth:	579 mm
Pressure rating for connection:	PN 40
Flange size for motor:	FF350
Connect code:	F
Liquid:	
Pumped liquid:	Water
Liquid temperature range:	-10 .. 90 °C
Selected liquid temperature:	20 °C
Density:	998.2 kg/m ³
Electrical data:	
Motor standard:	IEC
Motor type:	SIEMENS
IE Efficiency class:	IE3
Rated power - P2:	30 kW
Mains frequency:	50 Hz
Suitable for 50/60 Hz:	N
Rated voltage:	3 x 380-420D/660-725Y V
Rated current:	53/31 A
Starting current:	700-700 %
Cos phi - power factor:	0.87
Rated speed:	2951 rpm
Efficiency:	IE3 93,3%
Motor efficiency at full load:	93.3-93.3 %
Motor efficiency at 3/4 load:	93.5-93.5 %
Motor efficiency at 1/2 load:	92.9-92.9 %
Number of poles:	2
Enclosure class (IEC 34-5):	IP55
Insulation class (IEC 85):	F
Built-in motor protection:	PTC
Motor No:	81U15332



Description	Value
Controls:	
Frequency converter:	NONE
Others:	
Terminal box position:	6
Minimum efficiency index, MEI ≥:	0.70
Net weight:	288 kg
Gross weight:	345 kg
Shipping volume:	1.12 m ³
Country of origin:	HU
Custom tariff no.:	84137075

On request MTR 64-6/6-2 A-F-A-HUUV 50 Hz



Note! All units are in [mm] unless others are stated.
Disclaimer: This simplified dimensional drawing does not show all details.

On request MTR 64-6/6-2 A-F-A-HUUV 50 Hz



IEC TP211 THERMALLY PROTECTED WHEN THE THERMISTORS ARE
CONNECTED TO AMPLIFIER RELAY FOR CONTROL OF MAIN SUPPLY
THERMISTORS PTC ACCORDING TO DIN 44082

Note! All units are in [mm] unless others are stated.

