
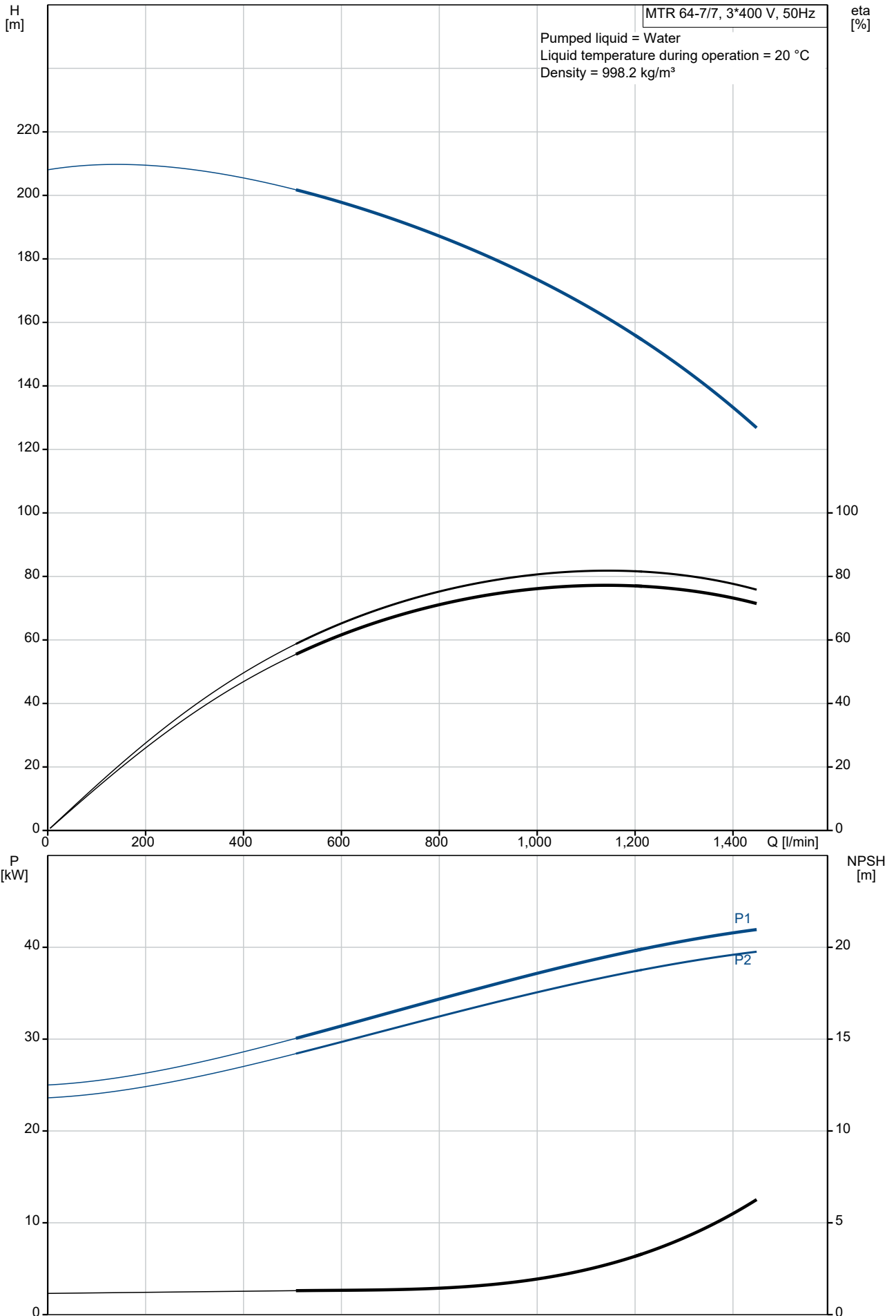


Qty.	Description
1	<p data-bbox="204 163 480 185">MTR 64-7/7 A-F-A-HUUV</p>  <p data-bbox="204 483 480 506">Product No.: On request</p> <p data-bbox="204 546 1430 618">Multistage, immersible, self-priming, centrifugal pump for vertical installation in tanks etc. The pump head and base are in cast iron – all other wetted parts are in stainless steel. The pump has the following characteristics:</p> <ul data-bbox="240 633 1114 745" style="list-style-type: none"> • Dimensions according to DIN 5440. • Impellers, intermediate chambers and spline shaft are made of Stainless steel. • Mechanical shaft seal according to EN 12756. • Power transmission via sintered metal split coupling. <p data-bbox="204 752 1430 797">A cartridge shaft seal ensures high reliability, safe handling, and easy access and service. The pump is fitted with a 3-phase, fan-cooled asynchronous motor.</p> <p data-bbox="204 837 300 860">Controls:</p> <p data-bbox="204 866 635 889">Frequency converter: NONE</p> <p data-bbox="204 929 272 952">Liquid:</p> <p data-bbox="204 958 635 981">Pumped liquid: Water</p> <p data-bbox="204 987 687 1010">Liquid temperature range: -10 .. 90 °C</p> <p data-bbox="204 1016 635 1039">Selected liquid temperature: 20 °C</p> <p data-bbox="204 1046 695 1068">Density: 998.2 kg/m³</p> <p data-bbox="204 1108 316 1131">Technical:</p> <p data-bbox="204 1137 815 1160">Pump speed on which pump data are based: 2960 rpm</p> <p data-bbox="204 1167 679 1189">Rated flow: 1070 l/min</p> <p data-bbox="204 1196 655 1218">Rated head: 165.3 m</p> <p data-bbox="204 1225 576 1247">Chambers: 7</p> <p data-bbox="204 1254 576 1276">Drainage back to tank: N</p> <p data-bbox="204 1283 647 1305">Pump orientation: Vertical</p> <p data-bbox="204 1312 635 1335">Code for shaft seal: HUUV</p> <p data-bbox="204 1341 663 1364">Approvals: CE, EAC</p> <p data-bbox="204 1370 759 1393">Curve tolerance: ISO9906:2012 3B</p> <p data-bbox="204 1433 308 1456">Materials:</p> <p data-bbox="204 1462 799 1547">Pump head: Cast iron EN 1561 EN-GJL-200 ASTM A48-25B</p> <p data-bbox="204 1554 724 1639">Impeller: Stainless steel EN 1.4301 AISI 304</p> <p data-bbox="204 1680 323 1702">Installation:</p> <p data-bbox="204 1709 635 1731">t max amb: 55 °C</p> <p data-bbox="204 1738 635 1760">Maximum operating pressure: 25 bar</p> <p data-bbox="204 1767 715 1789">Max pressure at stated temp: 25 bar / 90 °C</p> <p data-bbox="204 1796 608 1818">Type of connection: DIN</p> <p data-bbox="204 1825 635 1848">Size of outlet connection: DN 80</p> <p data-bbox="204 1854 655 1877">Immersion depth: 662 mm</p> <p data-bbox="204 1883 635 1906">Pressure rating for connection: PN 40</p> <p data-bbox="204 1912 635 1935">Flange size for motor: FF400</p> <p data-bbox="204 1975 360 1998">Electrical data:</p> <p data-bbox="204 2004 608 2027">Motor standard: IEC</p> <p data-bbox="204 2033 671 2056">Motor type: SIEMENS</p> <p data-bbox="204 2063 603 2085">IE Efficiency class: IE3</p>

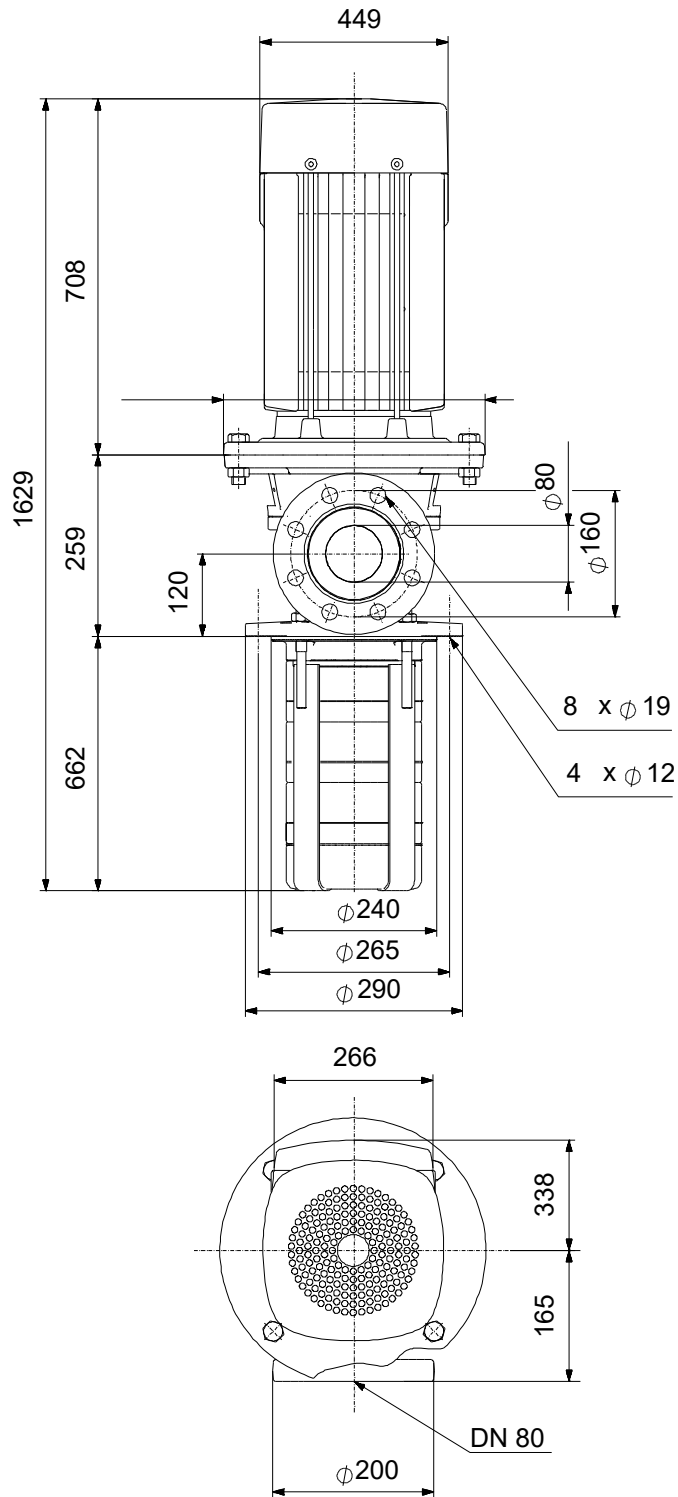
Qty.	Description																																																		
1	<table> <tr> <td>Rated power - P2:</td> <td>45 kW</td> </tr> <tr> <td>Mains frequency:</td> <td>50 Hz</td> </tr> <tr> <td>Suitable for 50/60 Hz:</td> <td>N</td> </tr> <tr> <td>Rated voltage:</td> <td>3 x 380-420D/660-725Y V</td> </tr> <tr> <td>Rated current:</td> <td>78/45 A</td> </tr> <tr> <td>Starting current:</td> <td>690-690 %</td> </tr> <tr> <td>Cos phi - power factor:</td> <td>0.89</td> </tr> <tr> <td>Rated speed:</td> <td>2960 rpm</td> </tr> <tr> <td>Efficiency:</td> <td>IE3 94,0%</td> </tr> <tr> <td>Motor efficiency at full load:</td> <td>94.0-94.0 %</td> </tr> <tr> <td>Motor efficiency at 3/4 load:</td> <td>94.5-94.5 %</td> </tr> <tr> <td>Motor efficiency at 1/2 load:</td> <td>94.4-94.4 %</td> </tr> <tr> <td>Number of poles:</td> <td>2</td> </tr> <tr> <td>Enclosure class (IEC 34-5):</td> <td>IP55</td> </tr> <tr> <td>Insulation class (IEC 85):</td> <td>F</td> </tr> <tr> <td>Motor No:</td> <td>81U15336</td> </tr> <tr> <td colspan="2">Others:</td> </tr> <tr> <td>Terminal box position:</td> <td>6</td> </tr> <tr> <td>Minimum efficiency index, MEI ≥:</td> <td>0.70</td> </tr> <tr> <td>Net weight:</td> <td>416 kg</td> </tr> <tr> <td>Gross weight:</td> <td>467 kg</td> </tr> <tr> <td>Shipping volume:</td> <td>0.801 m³</td> </tr> <tr> <td>Danish VVS No.:</td> <td>386971007</td> </tr> <tr> <td>Country of origin:</td> <td>HU</td> </tr> <tr> <td>Custom tariff no.:</td> <td>84137075</td> </tr> </table>	Rated power - P2:	45 kW	Mains frequency:	50 Hz	Suitable for 50/60 Hz:	N	Rated voltage:	3 x 380-420D/660-725Y V	Rated current:	78/45 A	Starting current:	690-690 %	Cos phi - power factor:	0.89	Rated speed:	2960 rpm	Efficiency:	IE3 94,0%	Motor efficiency at full load:	94.0-94.0 %	Motor efficiency at 3/4 load:	94.5-94.5 %	Motor efficiency at 1/2 load:	94.4-94.4 %	Number of poles:	2	Enclosure class (IEC 34-5):	IP55	Insulation class (IEC 85):	F	Motor No:	81U15336	Others:		Terminal box position:	6	Minimum efficiency index, MEI ≥:	0.70	Net weight:	416 kg	Gross weight:	467 kg	Shipping volume:	0.801 m ³	Danish VVS No.:	386971007	Country of origin:	HU	Custom tariff no.:	84137075
Rated power - P2:	45 kW																																																		
Mains frequency:	50 Hz																																																		
Suitable for 50/60 Hz:	N																																																		
Rated voltage:	3 x 380-420D/660-725Y V																																																		
Rated current:	78/45 A																																																		
Starting current:	690-690 %																																																		
Cos phi - power factor:	0.89																																																		
Rated speed:	2960 rpm																																																		
Efficiency:	IE3 94,0%																																																		
Motor efficiency at full load:	94.0-94.0 %																																																		
Motor efficiency at 3/4 load:	94.5-94.5 %																																																		
Motor efficiency at 1/2 load:	94.4-94.4 %																																																		
Number of poles:	2																																																		
Enclosure class (IEC 34-5):	IP55																																																		
Insulation class (IEC 85):	F																																																		
Motor No:	81U15336																																																		
Others:																																																			
Terminal box position:	6																																																		
Minimum efficiency index, MEI ≥:	0.70																																																		
Net weight:	416 kg																																																		
Gross weight:	467 kg																																																		
Shipping volume:	0.801 m ³																																																		
Danish VVS No.:	386971007																																																		
Country of origin:	HU																																																		
Custom tariff no.:	84137075																																																		

On request MTR 64-7/7 A-F-A-HUUV 50 Hz



Description	Value
Controls:	
Frequency converter:	NONE
Others:	
Terminal box position:	6
Minimum efficiency index, MEI ≥:	0.70
Net weight:	416 kg
Gross weight:	467 kg
Shipping volume:	0.801 m ³
Danish VVS No.:	386971007
Country of origin:	HU
Custom tariff no.:	84137075

On request MTR 64-7/7 A-F-A-HUUV 50 Hz



Note! All units are in [mm] unless others are stated.
Disclaimer: This simplified dimensional drawing does not show all details.

On request MTR 64-7/7 A-F-A-HUUV 50 Hz



IEC TP211 THERMALLY PROTECTED WHEN THE THERMISTORS ARE
CONNECTED TO AMPLIFIER RELAY FOR CONTROL OF MAIN SUPPLY
THERMISTORS PTC ACCORDING TO DIN 44082

Note! All units are in [mm] unless others are stated.

