

Qty. Description

1 SL1.80.80 .55.A.4.51D.C



Note! Product picture may differ from actual product

Product No.: [98626246](#)

Non-self-priming, single-stage, centrifugal pump designed for handling wastewater, process water and unscreened raw sewage.

The pump is designed for intermittent and continuous operations in submerged installation. The revolutionary S-tube® impeller provides free spherical passage of solids up to 80 mm and is suitable for wastewater with a dry matter content of up to 3 %. A unique stainless-steel clamp assembling system enables quick and easy disassembly of the pump from the motor unit for service and inspection. No special tools are required. Pipework connection is via a DIN flange.

Further product details

The pump is suitable for both temporary and permanent installation either as free-standing on ring stand or on an auto-coupling system.

Pump

The pump housing, motor top and impeller are made of cast iron (EN-GJL-250).

All surfaces of the cast iron parts are protected with cathodolysis coating.

The surface of the cast iron pump parts is afterwards painted with environmental friendly powder coating (type NCS 9000N (black), gloss code 30, thickness 100 µm) which ensures high impact and corrosion protection.

The final pump is assembled from already painted parts which ensures that no rust or scale can be formed in grooves between parts, etc.

The S-tube® impeller is providing free spherical passage through the impeller and pump housing and creates a natural extension of the pipework connected to the pump.

The S-tube® impeller is a wet-balanced and tube-shaped channel impeller placed in a pump housing that matches the smooth tube shape leaving no obstructions or dead zones.

The key to the S-tube® design is simplicity, with no cutting or moving functions that can get worn over time, thereby ensuring constant, superior efficiency. The simple design means lower life cycle costs because abrasive wear is reduced and there are fewer clogging incidents.



Qty. Description

1 The shaft seal consists of two mechanical seals that ensure a reliable sealing between the pumped liquid and motor. The shaft seals are incorporated in a single-unit cartridge shaft seal system that is easy to replace in the field without use of special tools.

The combination of the primary and secondary seals in a cartridge shaft seal system results in a shorter assembly length compared to conventional shaft seals.

- Primary seal: Silicon carbide/silicon carbide (SiC/SiC)
- Secondary seal: Carbon/Ceramics

The shaft seal is bidirectional, meaning it operates correctly in case of backflow through the pump.



The pump is approved according to CE EN12050-1.

Motor

The motor is a watertight, totally encapsulated motor supplied with a 10 m power cable. The stainless steel plug is fastened with a union nut. This nut and the O-rings provide sealing against ingress of the liquid.

The plug is polyurethane-embedded, ensuring a watertight and durable seal around the leads of the cable. This prevents the ingress of water into the motor through the cable in case of cable breakage or adverse handling in connection with installation or service.

A compact motor construction with a short shaft reduces vibrations, resulting in an increased efficiency and lifetime of the shaft seal and ball bearings.

The motor features built-in thermal protection to protect the motor against overheating and ensure the reliability.

The pump is equipped with the following sensor(s):

- A digital moisture switch that is fitted in the motor chamber monitors whether water enters the motor chamber. If moisture is detected in the motor chamber, the switch will trip and send a warning to the sensor module.

- An analog sensor that is fitted in the oil chamber monitors whether water enters the pump from the liquid side. It sends a signal if the water content is outside the normal range (warning), or if there is air in the oil chamber (alarm).

The pump is designed for speed-controlled operation to keep the energy consumption at a minimum.

To avoid the risk of sedimentation in the pipes, we recommend that you operate the speed-controlled pump within a speed range of 30 % to 100 % and at a flow rate above 1 m/s.

Controls:

Moisture sensor: with moisture sensors

Water-in-oil sensor: with water-in-oil sensor

Liquid:

Liquid temperature range: 10 .. 40 °C

Density: 998.2 kg/m³

Technical:

Maximum flow: 54.7 l/s

Type of impeller: S-TUBE

Maximum particle size: 80 mm

Primary shaft seal: SIC/SIC

Approvals: CE EN12050-1

Curve tolerance: ISO9906:2012 3B2

Rated speed: 1463 rpm

Materials:

Pump housing: Cast iron
EN 5.1301 EN-GJL-250

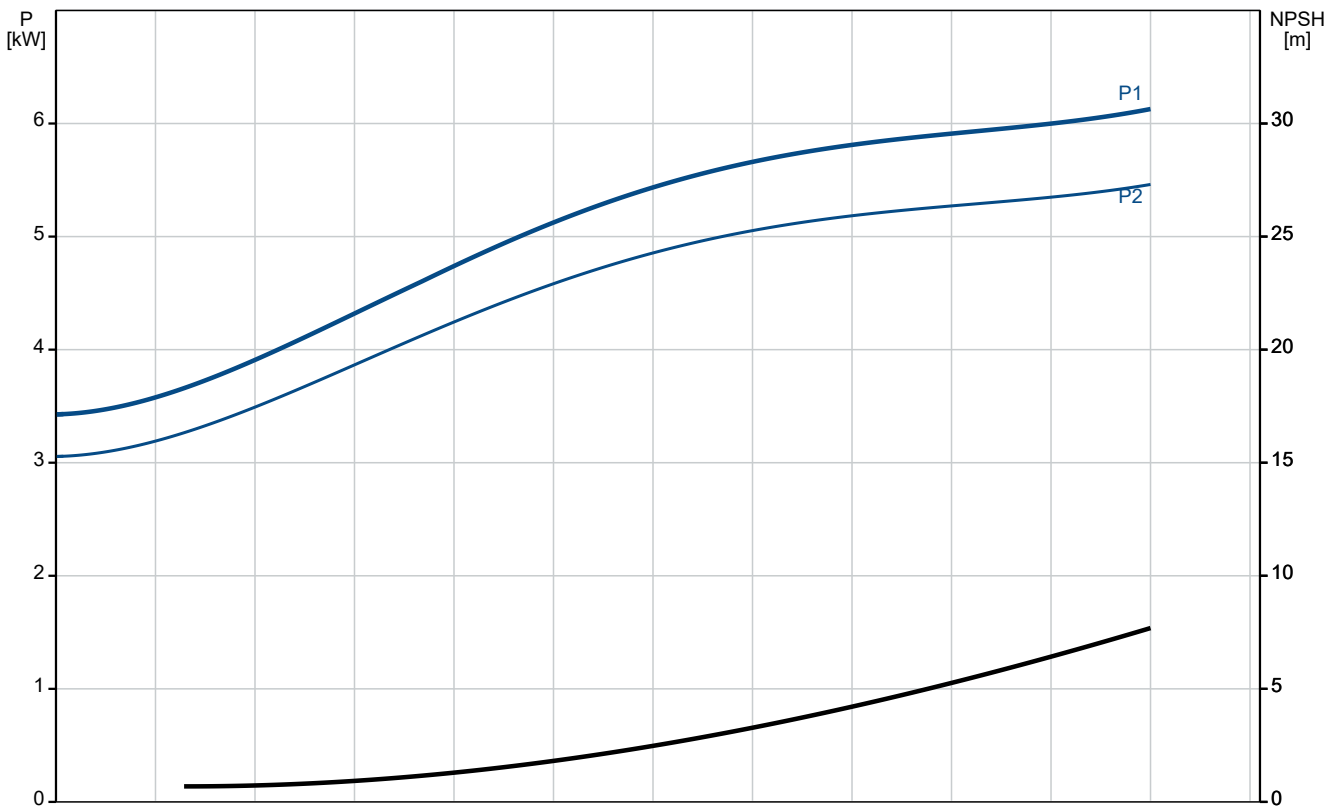
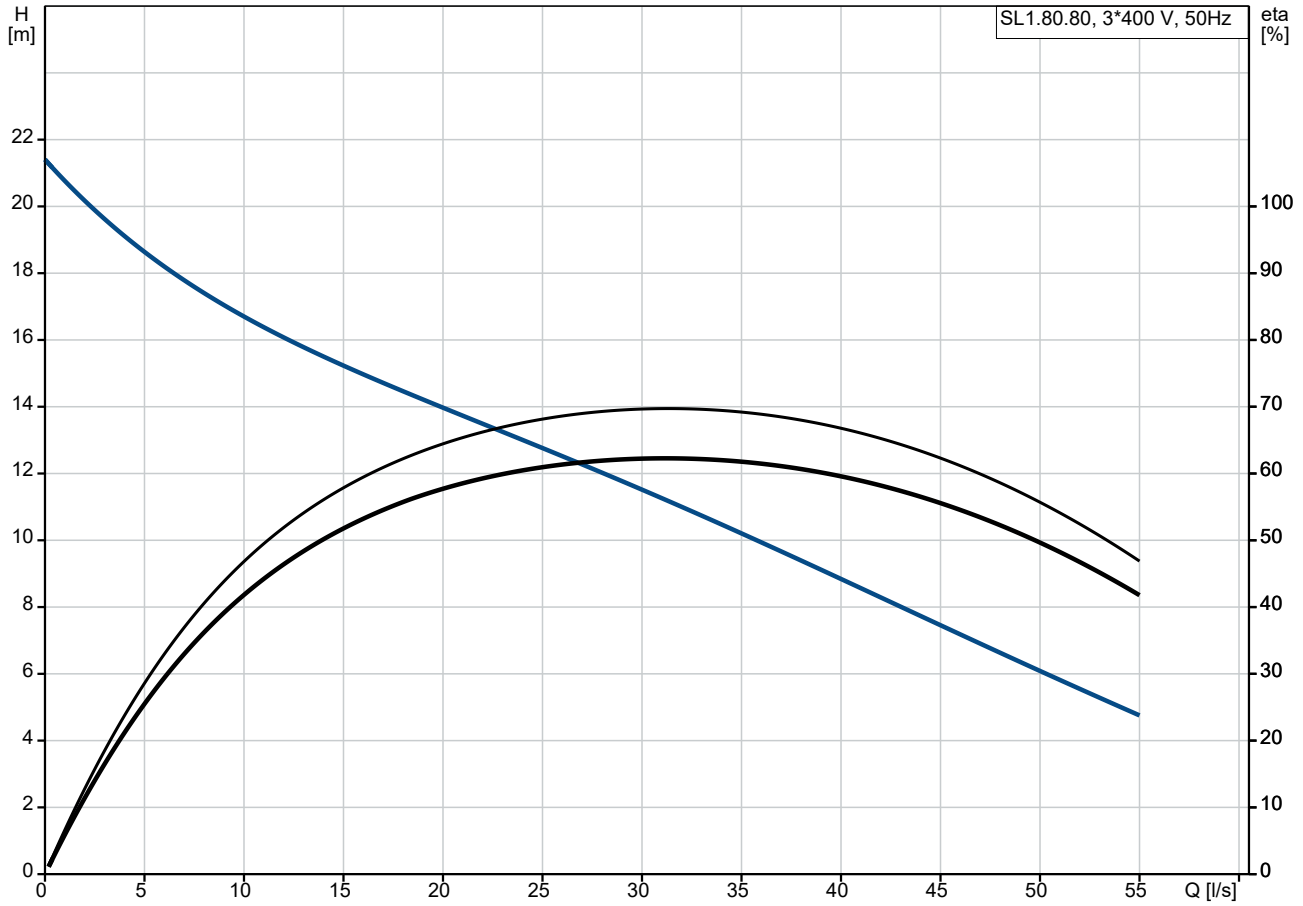
Impeller: Cast iron
EN 5.1301 EN-GJL-250

Motor: EN-GJL-250

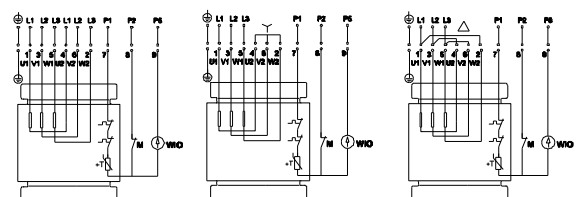
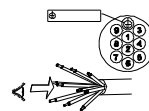
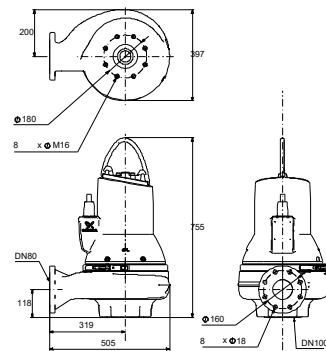
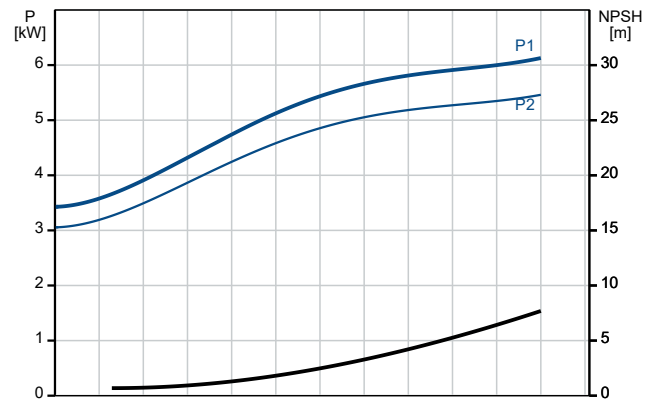
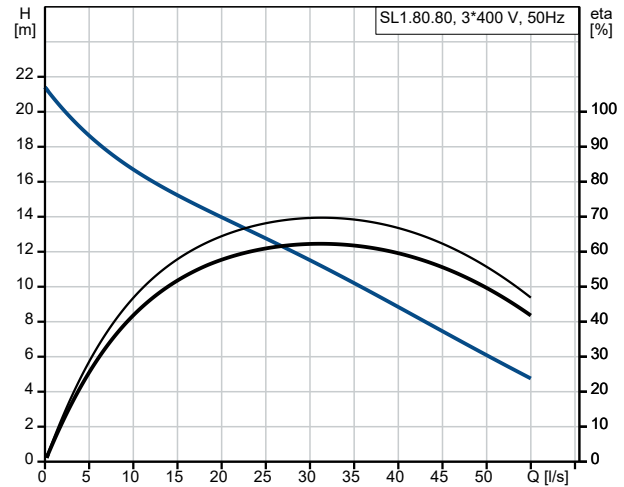
| Qty. | Description |
|------|-------------|
|------|-------------|

| | |
|---|---|
| 1 | Installation: Range of ambient temperature: 0 .. 40 °C Maximum operating pressure: 6 bar Flange standard: DIN Type of inlet connection: DIN Type of outlet connection: DIN Size of inlet connection: DN 100 Size of outlet connection: DN 80 Pressure rating: PN 10 Maximum installation depth: 20 m Auto-coupling: 96090993 Frame range: C Electrical data: Power input - P1: 6.3 kW Rated power - P2: 5.5 kW Mains frequency: 50 Hz Rated voltage: 3 x 380-415 V Voltage tolerance: +10/-10 % Max starts per. hour: 20 Rated current: 10.9 A Starting current: 81 A Cos phi - power factor: 0.85 Cos phi - p.f. at 3/4 load: 0.80 Cos phi - p.f. at 1/2 load: 0.70 Rated speed: 1463 rpm Motor efficiency at full load: 89.1 % Motor efficiency at 3/4 load: 89.6 % Motor efficiency at 1/2 load: 89.0 % Number of poles: 4 Start. method: star/delta Enclosure class (IEC 34-5): IP68 Insulation class (IEC 85): H Explosion proof: no Length of power cable: 10 m Cable type: LYNIFLEX Others: Net weight: 160 kg |
|---|---|

98626246 SL1.80.80 .55.A.4.51D.C 50 Hz



| Description | Value |
|--------------------------------|-------------------------|
| General information: | |
| Product name: | SL1.80.80 .55.A.4.51D.C |
| Product No: | 98626246 |
| EAN number: | 5711498468863 |
| Technical: | |
| Maximum flow: | 54.7 l/s |
| Maximum head: | 21.3 m |
| Type of impeller: | S-TUBE |
| Maximum particle size: | 80 mm |
| Primary shaft seal: | SIC/SIC |
| Approvals: | CE EN12050-1 |
| Curve tolerance: | ISO9906:2012 3B2 |
| Cooling jacket: | without cooling jacket |
| Rated speed: | 1463 rpm |
| Materials: | |
| Pump housing: | Cast iron |
| Pump housing: | EN 5.1301 EN-GJL-250 |
| Impeller: | Cast iron |
| Impeller: | EN 5.1301 EN-GJL-250 |
| Motor: | EN-GJL-250 |
| Installation: | |
| Range of ambient temperature: | 0 .. 40 °C |
| Maximum operating pressure: | 6 bar |
| Flange standard: | DIN |
| Type of inlet connection: | DIN |
| Type of outlet connection: | DIN |
| Size of inlet connection: | DN 100 |
| Size of outlet connection: | DN 80 |
| Pressure rating: | PN 10 |
| Maximum installation depth: | 20 m |
| Inst dry/wet: | SUBMERGED |
| Installation: | Vertical |
| Auto-coupling: | 96090993 |
| Frame range: | C |
| Liquid: | |
| Liquid temperature range: | 10 .. 40 °C |
| Density: | 998.2 kg/m ³ |
| Electrical data: | |
| Power input - P1: | 6.3 kW |
| Rated power - P2: | 5.5 kW |
| Mains frequency: | 50 Hz |
| Rated voltage: | 3 x 380-415 V |
| Voltage tolerance: | +10/-10 % |
| Max starts per. hour: | 20 |
| Rated current: | 10.9 A |
| Starting current: | 81 A |
| Cos phi - power factor: | 0.85 |
| Cos phi - p.f. at 3/4 load: | 0.80 |
| Cos phi - p.f. at 1/2 load: | 0.70 |
| Rated speed: | 1463 rpm |
| Motor efficiency at full load: | 89.1 % |
| Motor efficiency at 3/4 load: | 89.6 % |
| Motor efficiency at 1/2 load: | 89.0 % |
| Number of poles: | 4 |
| Start. method: | star/delta |
| Enclosure class (IEC 34-5): | IP68 |
| Insulation class (IEC 85): | H |
| Explosion proof: | no |





Company name:

Created by:

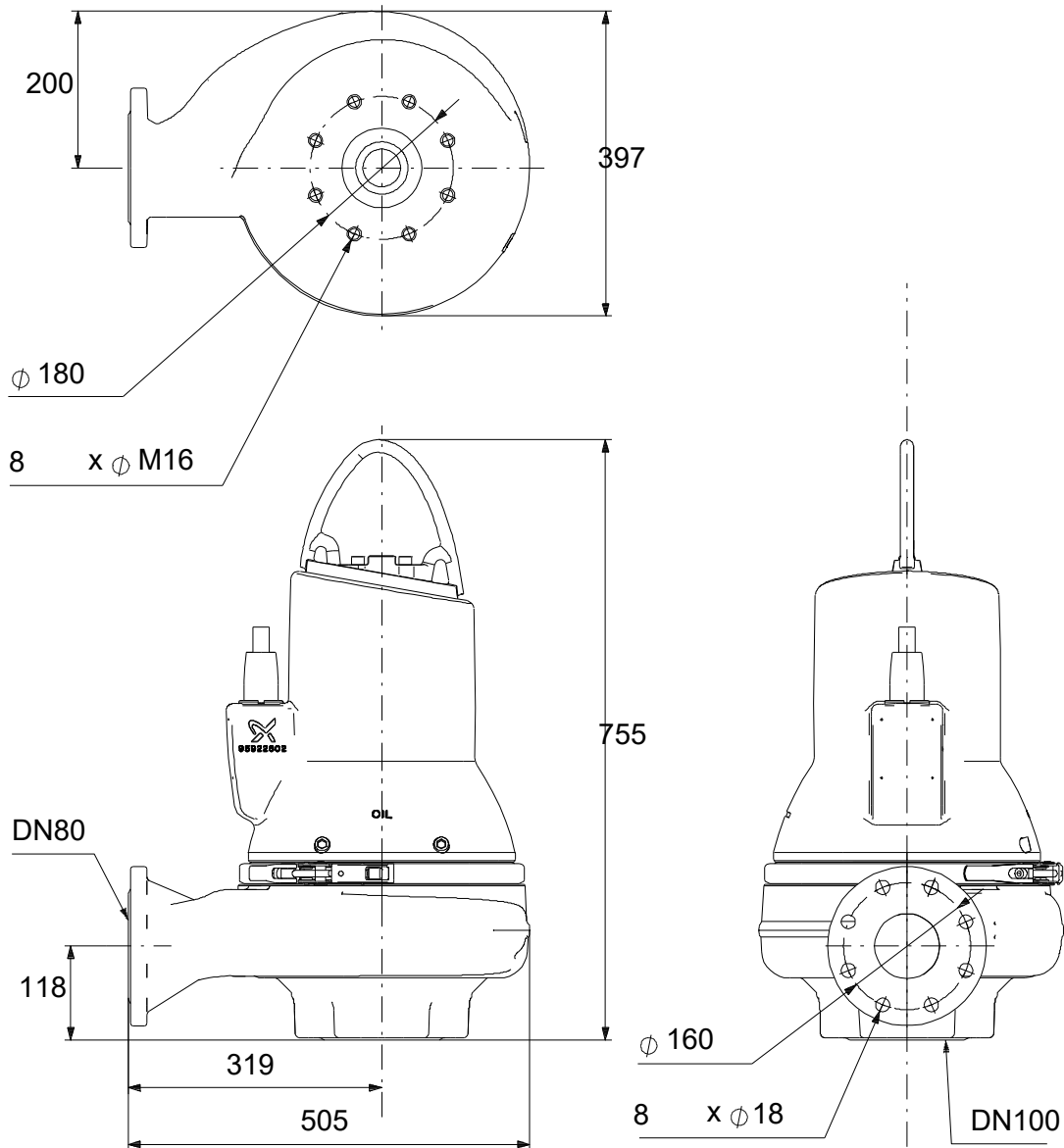
Phone:

Date:

28/12/2022

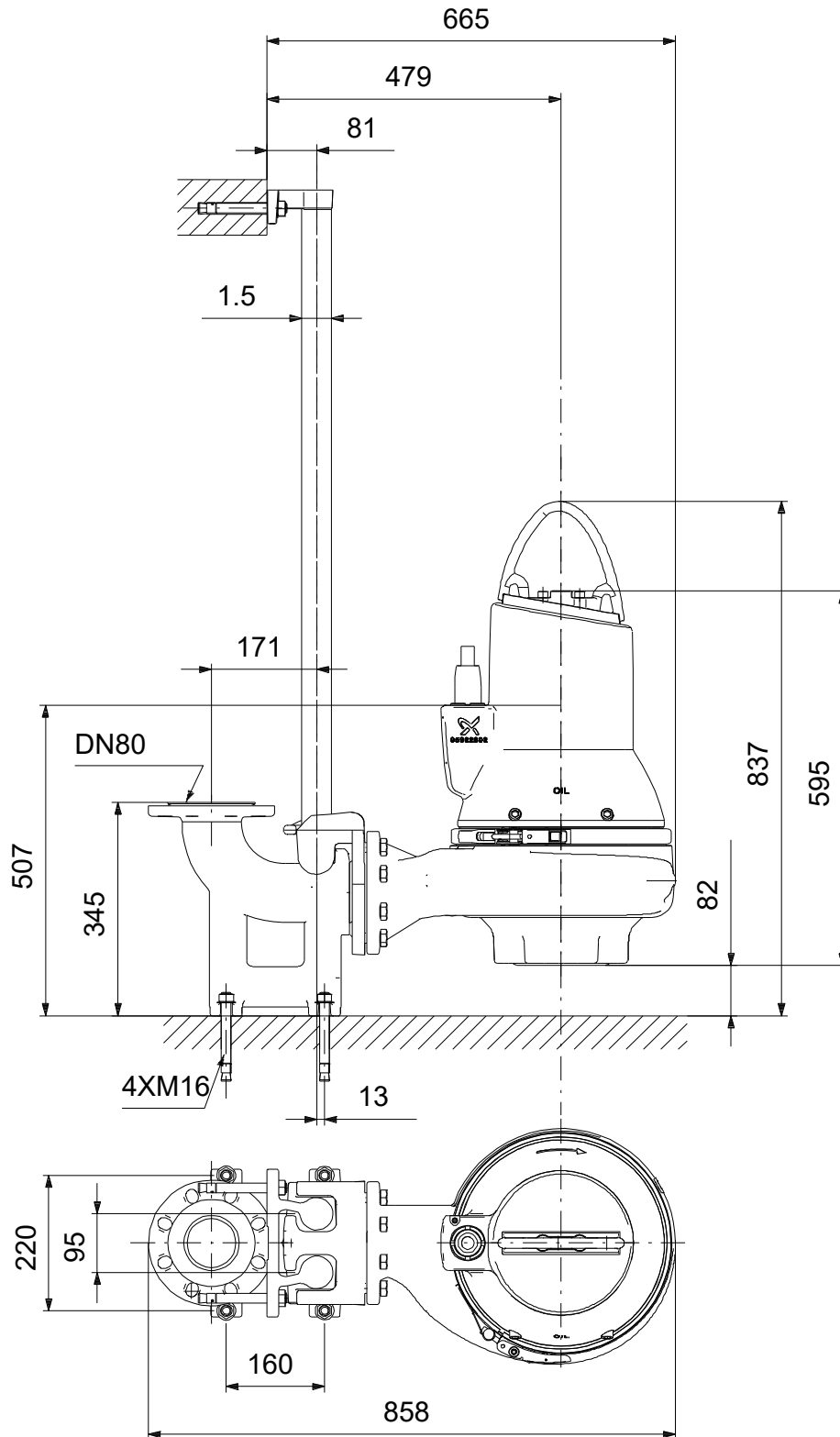
| Description | Value |
|----------------------------|--------------------------|
| Built-in motor protection: | Pt1000 |
| Length of power cable: | 10 m |
| Cable type: | LYNIFLEX |
| Controls: | |
| Control box: | not included |
| Moisture sensor: | with moisture sensors |
| Water-in-oil sensor: | with water-in-oil sensor |
| Others: | |
| Net weight: | 160 kg |

98626246 SL1.80.80 .55.A.4.51D.C 50 Hz



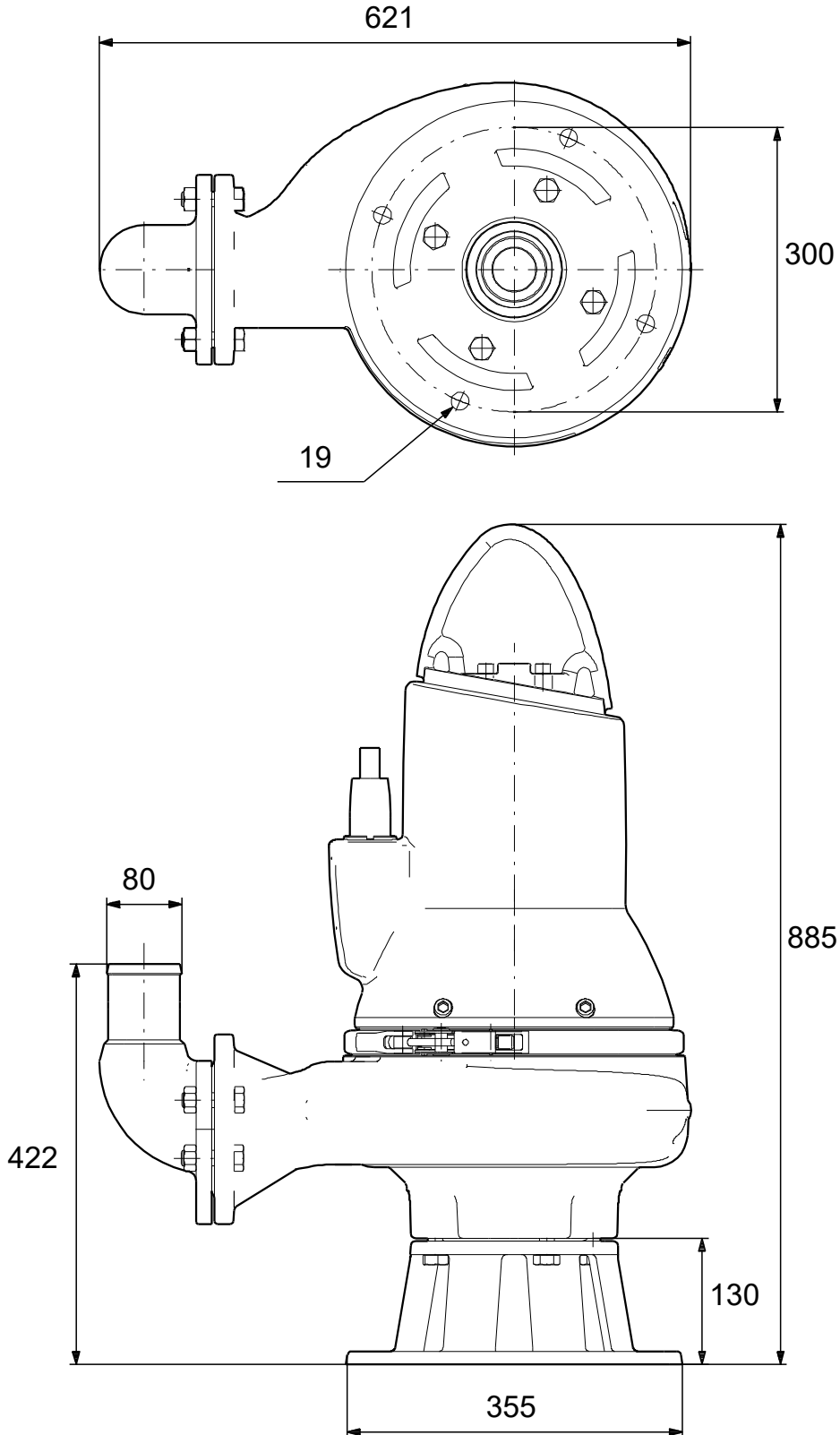
Note! All units are in [mm] unless others are stated.
Disclaimer: This simplified dimensional drawing does not show all details.

98626246 SL1.80.80 .55.A.4.51D.C 50 Hz



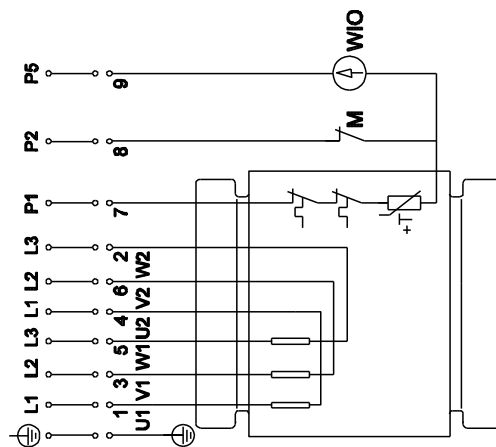
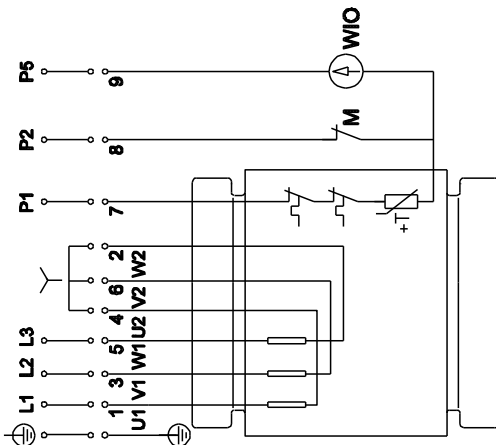
Note! All units are in [mm] unless others are stated.
Disclaimer: This simplified dimensional drawing does not show all details.

98626246 SL1.80.80 .55.A.4.51D.C 50 Hz



Note! All units are in [mm] unless others are stated.
Disclaimer: This simplified dimensional drawing does not show all details.

98626246 SL1.80.80 .55.A.4.51D.C 50 Hz



Note! All units are in [mm] unless others are stated.

