

**Qty. Description**

1 SP 7-5



Note! Product picture may differ from actual product

Product No.: [98699169](#)

Submersible borehole pump, suitable for pumping clean water. Can be installed vertically or horizontally. All steel components are made in stainless steel, EN 1.4301 (AISI 304), that ensures high corrosive resistance. This pump carries drinking water approval.

The pump is fitted with a 0.75 kW MS402 motor with sand shield, lip seal, water-lubricated journal bearings and a volume compensating diaphragm. The motor is a canned type submersible motor offering good mechanical stability and high efficiency. Suitable for temperatures up to 40 °C.

The motor is not fitted with a temperature sensor. If temperature monitoring is desired, a Pt1000 sensor can be fitted.

The motor is for direct-on-line starting (DOL).

**Further product details**

The pump is suitable for applications similar to the following:

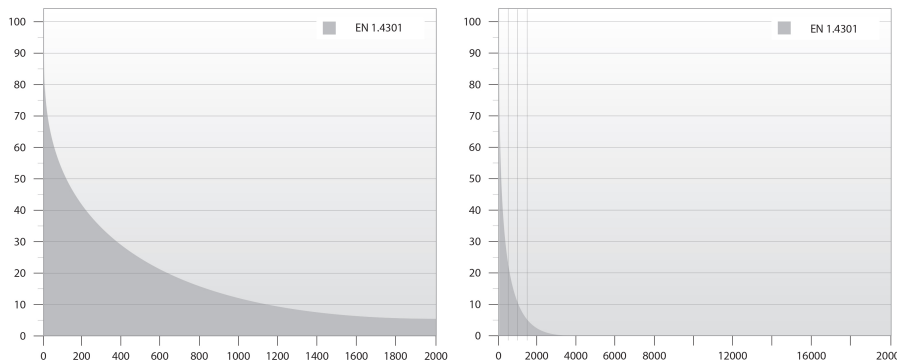
- raw-water supply
- irrigation
- groundwater lowering
- pressure boosting
- fountain applications.

The Grundfos SP pump is renowned for its high efficiency and already complies with the requirements of the Minimum Efficiency Index, and therefore Grundfos is amongst the best in class within submersible pumps.



**Pump**

All pump surfaces that are in contact with pumped liquids are made in stainless steel which makes them corrosion- and wear-resistant. The corrosion diagram below shows the capabilities of the pump and motor in relation to the temperature in Celsius (y-axis) and the concentration of chloride in ppm (x-axis).



The elastomer parts in the pump offer good wear resistance and long service intervals.

The bearings are made of LSR (Liquid Silicone Rubber), sealing rings are made of TPU (Thermoplastic Poly-Urethane) and the non-return valve is made of NBR (Nitrile-Butadiene Rubber).

Qty.	Description																																																		
1	<p>The special elastomer material of the bearings offers increased resistance to sand and other abrasive particles (from 50 to 150 mg/l).</p> <p>In case the pump is used for pumping water with high content of hydrocarbons or solvents, Grundfos offers FKM rubber parts (Fluorocarbon) which are oil and temperature-resistant up to 90 °C.</p> <p>The pump is built with octagonal bearings with sand flush channels that minimise wear. As wear of the pump is inevitable, the pump design allows for easy replacement of all internal wear parts (bearings, impeller, wear rings and seal rings) to maintain high performance and a long lifetime.</p> <p>The suction interconnector is fitted with a strainer to prevent large particles from entering the pump. The suction interconnector is designed to comply with NEMA standards for motor mounting/dimensions.</p> <p><b>Motor</b></p> <p>The stator is hermetically encapsulated in stainless steel and the windings are embedded in polymer compound. This results in high mechanical stability, optimum cooling and reduces the risk of short circuits in the windings.</p> <p>The shaft seal is of the lip seal type characterised by low friction against the rotor shaft. The NBR elastomer offers good wear resistance, good elasticity and resistance to particles. The rubber material is approved for use in potable water.</p> <p>The motor can be fitted with a Pt100 or Pt1000 sensor that together with a control unit ensures that the maximum operating temperature conditions are not exceeded.</p> <p>Liquid:</p> <table> <tr> <td>Pumped liquid:</td> <td>Water</td> </tr> <tr> <td>Liquid max temp:</td> <td>40 °C</td> </tr> <tr> <td>Max liquid t at 0.15 m/sec:</td> <td>40 °C</td> </tr> <tr> <td>Selected liquid temperature:</td> <td>20 °C</td> </tr> <tr> <td>Density:</td> <td>998.2 kg/m<sup>3</sup></td> </tr> </table> <p>Technical:</p> <table> <tr> <td>Pump speed on which pump data are based:</td> <td>2900 rpm</td> </tr> <tr> <td>Rated flow:</td> <td>7 m<sup>3</sup>/h</td> </tr> <tr> <td>Rated head:</td> <td>22.3 m</td> </tr> <tr> <td>Shaft seal for motor:</td> <td>LIPSEAL</td> </tr> <tr> <td>Approvals on nameplate:</td> <td>CE,EAC</td> </tr> <tr> <td>Curve tolerance:</td> <td>ISO9906:2012 3B</td> </tr> <tr> <td>Motor version:</td> <td>T40</td> </tr> </table> <p>Materials:</p> <table> <tr> <td>Pump:</td> <td>Stainless steel EN 1.4301 AISI 304</td> </tr> <tr> <td>Impeller:</td> <td>Stainless steel EN 1.4301 AISI 304</td> </tr> <tr> <td>Motor:</td> <td>Stainless steel DIN W.-Nr. 1.4301 AISI 304</td> </tr> </table> <p>Installation:</p> <table> <tr> <td>Pump outlet:</td> <td>Rp1 1/2</td> </tr> <tr> <td>Motor diameter:</td> <td>4 inch</td> </tr> </table> <p>Electrical data:</p> <table> <tr> <td>Motor type:</td> <td>MS402</td> </tr> <tr> <td>Rated power - P2:</td> <td>0.75 kW</td> </tr> <tr> <td>Power (P2) required by pump:</td> <td>0.75 kW</td> </tr> <tr> <td>Mains frequency:</td> <td>50 Hz</td> </tr> <tr> <td>Rated voltage:</td> <td>3 x 380-400-415 V</td> </tr> <tr> <td>Rated current:</td> <td>2.15-2.30-2.40 A</td> </tr> <tr> <td>Starting current:</td> <td>480-490-480 %</td> </tr> <tr> <td>Cos phi - power factor:</td> <td>0.75-0.72-0.65</td> </tr> </table>	Pumped liquid:	Water	Liquid max temp:	40 °C	Max liquid t at 0.15 m/sec:	40 °C	Selected liquid temperature:	20 °C	Density:	998.2 kg/m <sup>3</sup>	Pump speed on which pump data are based:	2900 rpm	Rated flow:	7 m <sup>3</sup> /h	Rated head:	22.3 m	Shaft seal for motor:	LIPSEAL	Approvals on nameplate:	CE,EAC	Curve tolerance:	ISO9906:2012 3B	Motor version:	T40	Pump:	Stainless steel EN 1.4301 AISI 304	Impeller:	Stainless steel EN 1.4301 AISI 304	Motor:	Stainless steel DIN W.-Nr. 1.4301 AISI 304	Pump outlet:	Rp1 1/2	Motor diameter:	4 inch	Motor type:	MS402	Rated power - P2:	0.75 kW	Power (P2) required by pump:	0.75 kW	Mains frequency:	50 Hz	Rated voltage:	3 x 380-400-415 V	Rated current:	2.15-2.30-2.40 A	Starting current:	480-490-480 %	Cos phi - power factor:	0.75-0.72-0.65
Pumped liquid:	Water																																																		
Liquid max temp:	40 °C																																																		
Max liquid t at 0.15 m/sec:	40 °C																																																		
Selected liquid temperature:	20 °C																																																		
Density:	998.2 kg/m <sup>3</sup>																																																		
Pump speed on which pump data are based:	2900 rpm																																																		
Rated flow:	7 m <sup>3</sup> /h																																																		
Rated head:	22.3 m																																																		
Shaft seal for motor:	LIPSEAL																																																		
Approvals on nameplate:	CE,EAC																																																		
Curve tolerance:	ISO9906:2012 3B																																																		
Motor version:	T40																																																		
Pump:	Stainless steel EN 1.4301 AISI 304																																																		
Impeller:	Stainless steel EN 1.4301 AISI 304																																																		
Motor:	Stainless steel DIN W.-Nr. 1.4301 AISI 304																																																		
Pump outlet:	Rp1 1/2																																																		
Motor diameter:	4 inch																																																		
Motor type:	MS402																																																		
Rated power - P2:	0.75 kW																																																		
Power (P2) required by pump:	0.75 kW																																																		
Mains frequency:	50 Hz																																																		
Rated voltage:	3 x 380-400-415 V																																																		
Rated current:	2.15-2.30-2.40 A																																																		
Starting current:	480-490-480 %																																																		
Cos phi - power factor:	0.75-0.72-0.65																																																		



Company name:

Created by:

Phone:

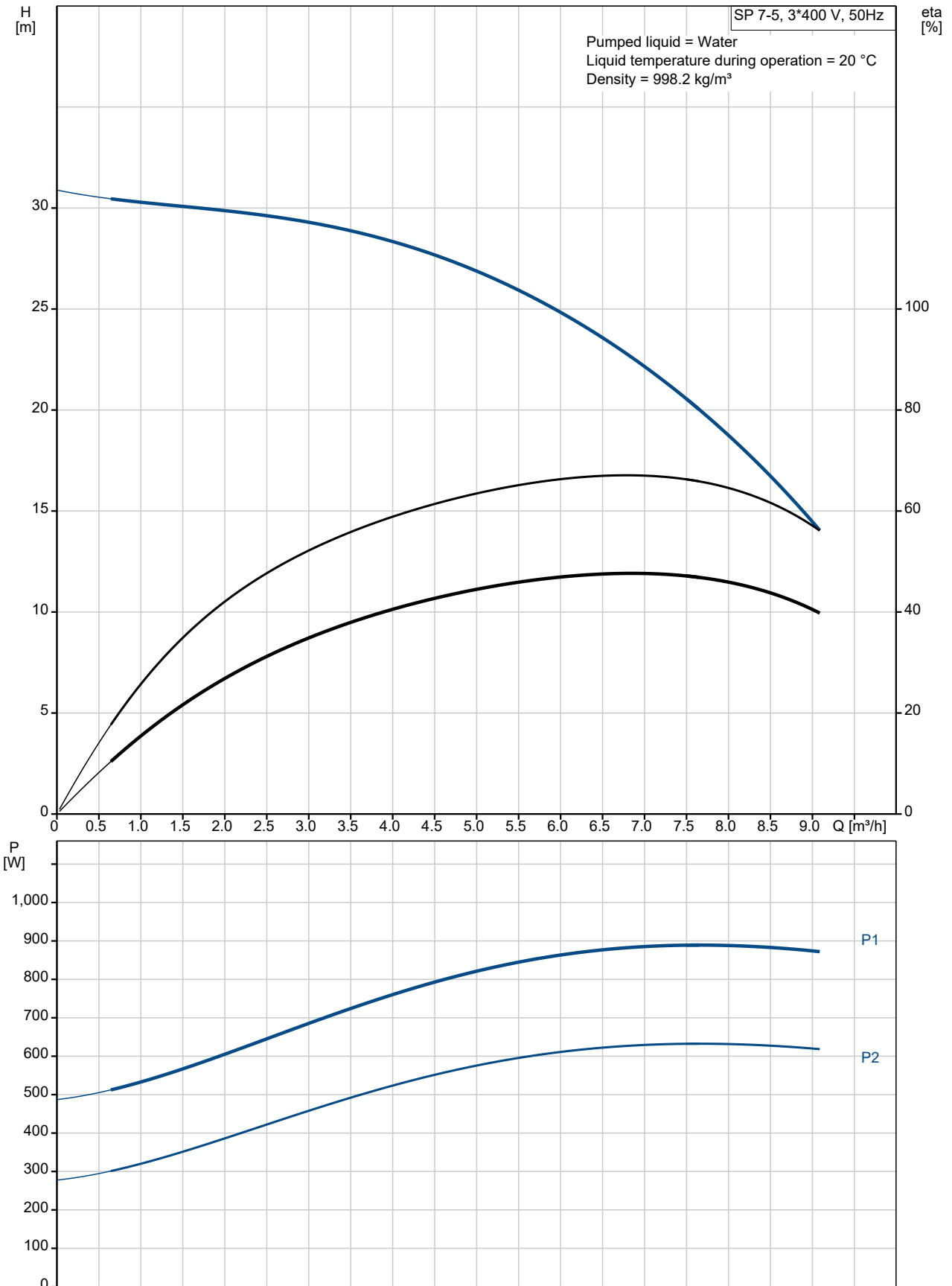
Date:

08/08/2022

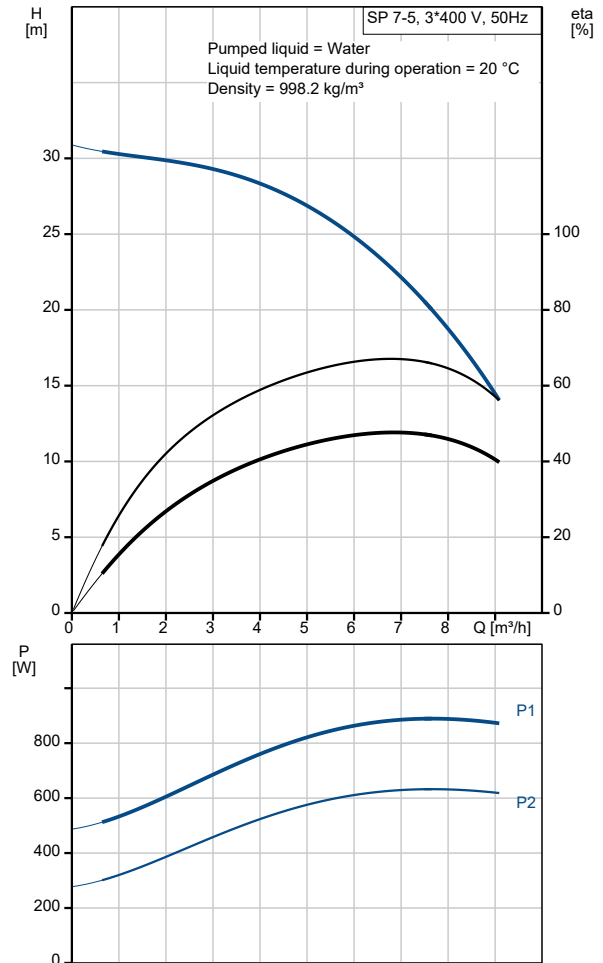
**Qty. Description**

1	Rated speed:	2850-2860-2870 rpm
	Start. method:	direct-on-line
	Enclosure class (IEC 34-5):	IP68
	Insulation class (IEC 85):	B
	Built-in temp. transmitter:	no
	Motor No:	79192004
	Windings:	Enamelled
	Others:	
	Minimum efficiency index, MEI ≥:	0.70
	ErP status:	EuP Standalone/Prod.
	Net weight:	14.9 kg
	Gross weight:	16.4 kg
	Shipping volume:	0.016 m <sup>3</sup>
	Danish VVS No.:	388461005
	Finnish LVI No.:	4762681
	Country of origin:	GB
	Custom tariff no.:	84137029

## 98699169 SP 7-5 50 Hz



Description	Value
<b>General information:</b>	
Product name:	SP 7-5
Product No:	98699169
EAN number:	5712600108219
<b>Technical:</b>	
Pump speed on which pump data are based:	2900 rpm
Rated flow:	7 m <sup>3</sup> /h
Rated head:	22.3 m
Stages:	5
Impeller reduc.:	NONE
Shaft seal for motor:	LIPSEAL
Approvals on nameplate:	CE,EAC
Curve tolerance:	ISO9906:2012 3B
Model:	A
Valve:	YES
Motor version:	T40
<b>Materials:</b>	
Pump:	Stainless steel
Pump:	EN 1.4301
Pump:	AISI 304
Impeller:	Stainless steel
Impeller:	EN 1.4301
Impeller:	AISI 304
Motor:	Stainless steel
Motor:	DIN W.-Nr. 1.4301
Motor:	AISI 304
<b>Installation:</b>	
Pump outlet:	Rp1 1/2
Motor diameter:	4 inch
<b>Liquid:</b>	
Pumped liquid:	Water
Liquid max temp:	40 °C
Max liquid t at 0.15 m/sec:	40 °C
Selected liquid temperature:	20 °C
Density:	998.2 kg/m <sup>3</sup>
<b>Electrical data:</b>	
Motor type:	MS402
Applic. motor:	NEMA
Rated power - P2:	0.75 kW
Power (P2) required by pump:	0.75 kW
Mains frequency:	50 Hz
Rated voltage:	3 x 380-400-415 V
Rated current:	2.15-2.30-2.40 A
Starting current:	480-490-480 %
Cos phi - power factor:	0.75-0.72-0.65
Rated speed:	2850-2860-2870 rpm
Start. method:	direct-on-line
Enclosure class (IEC 34-5):	IP68
Insulation class (IEC 85):	B
Built-in motor protection:	NONE
Thermal protec:	external
Built-in temp. transmitter:	no
Motor No:	79192004
Windings:	Enamelled
<b>Others:</b>	
Minimum efficiency index, MEI ≥:	0.70
ErP status:	EuP Standalone/Prod.





Company name:

Created by:

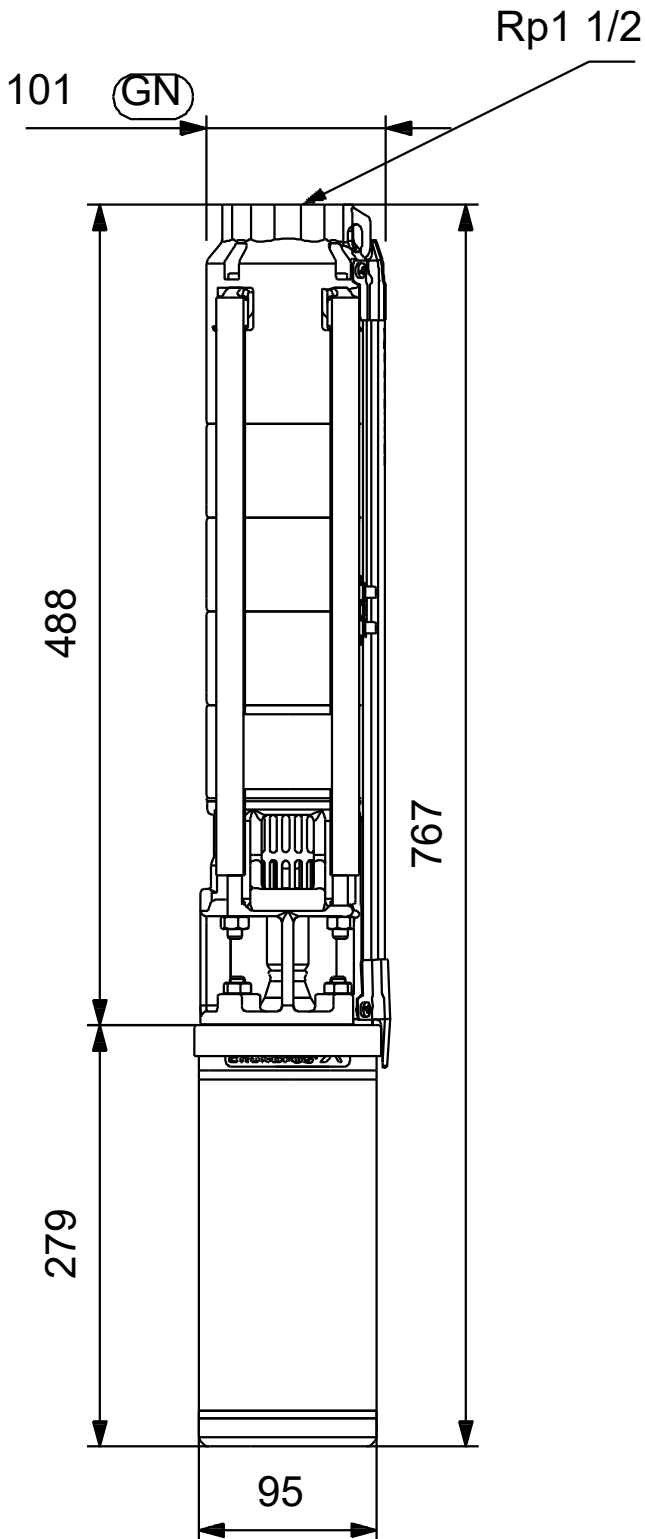
Phone:

Date:

08/08/2022

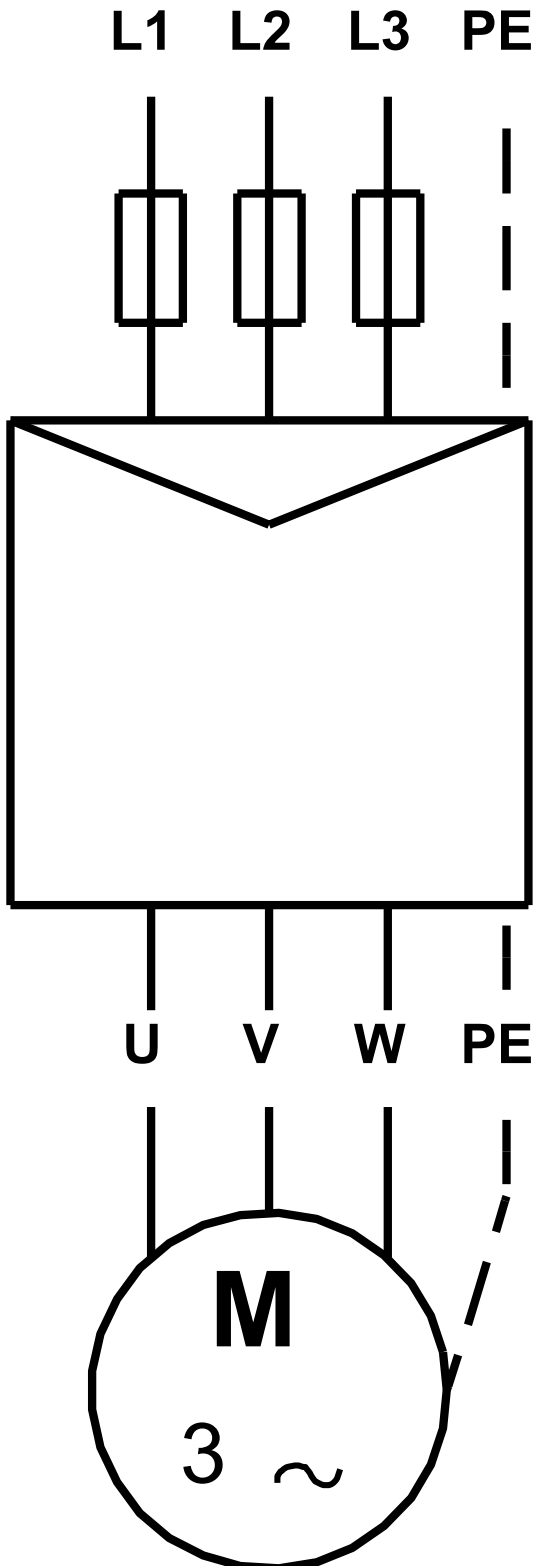
Description	Value
Net weight:	14.9 kg
Gross weight:	16.4 kg
Shipping volume:	0.016 m <sup>3</sup>
Danish VVS No.:	388461005
Finnish LVI No.:	4762681
Country of origin:	GB
Custom tariff no.:	84137029

## 98699169 SP 7-5 50 Hz



Note! All units are in [mm] unless others are stated.  
Disclaimer: This simplified dimensional drawing does not show all details.

98699169 SP 7-5 50 Hz



Note! All units are in [mm] unless others are stated.