

Qty. Description

1 SP 14-20



Note! Product picture may differ from actual product

Product No.: [98699360](#)

Submersible borehole pump, suitable for pumping clean water. Can be installed vertically or horizontally. All steel components are made in stainless steel, EN 1.4301 (AISI 304), that ensures high corrosive resistance. This pump carries drinking water approval.

The pump is fitted with a 5.5 kW MS4000 motor with sand shield, mechanical shaft seal, water-lubricated journal bearings and a volume compensating diaphragm. The motor is a canned type submersible motor offering good mechanical stability and high efficiency. Suitable for temperatures up to 40 °C.

The motor is fitted with the Grundfos Tempcon sensor that, by use of powerline communication together with a MP204 control panel, enables temperature monitoring.

The motor is for direct-on-line starting (DOL).

Further product details

The pump is suitable for applications similar to the following:

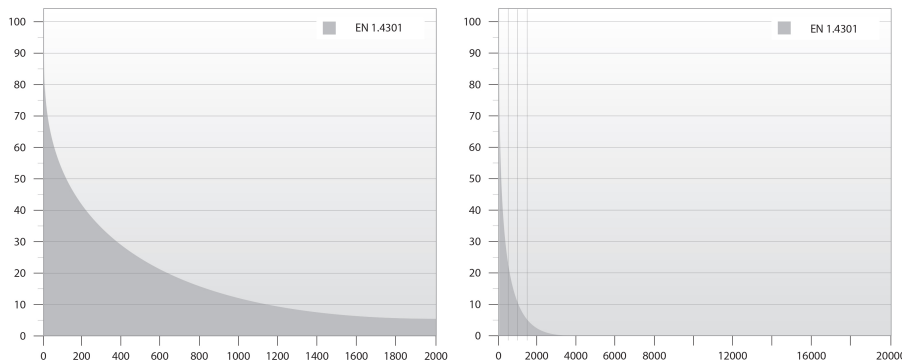
- raw-water supply
- irrigation
- groundwater lowering
- pressure boosting
- fountain applications.

The Grundfos SP pump is renowned for its high efficiency and already complies with the requirements of the Minimum Efficiency Index, and therefore Grundfos is amongst the best in class within submersible pumps.



Pump

All pump surfaces that are in contact with pumped liquids are made in stainless steel which makes them corrosion- and wear-resistant. The corrosion diagram below shows the capabilities of the pump and motor in relation to the temperature in Celsius (y-axis) and the concentration of chloride in ppm (x-axis).



The elastomer parts in the pump offer good wear resistance and long service intervals.

The bearings are made of LSR (Liquid Silicone Rubber), sealing rings are made of TPU (Thermoplastic Poly-Urethane) and the non-return valve is made of NBR (Nitrile-Butadiene Rubber).

Qty. Description

1 The special elastomer material of the bearings offers increased resistance to sand and other abrasive particles (from 50 to 150 mg/l).

In case the pump is used for pumping water with high content of hydrocarbons or solvents, Grundfos offers FKM rubber parts (Fluorocarbon) which are oil and temperature-resistant up to 90 °C.

The pump is built with octagonal bearings with sand flush channels that minimise wear. As wear of the pump is inevitable, the pump design allows for easy replacement of all internal wear parts (bearings, impeller, wear rings and seal rings) to maintain high performance and a long lifetime.

The suction interconnector is fitted with a strainer to prevent large particles from entering the pump. The suction interconnector is designed to comply with NEMA standards for motor mounting/dimensions.

Motor

The stator is hermetically encapsulated in stainless steel and the windings are embedded in polymer compound. This results in high mechanical stability, optimum cooling and reduces the risk of short circuits in the windings.

The shaft seal is a tungsten carbide/ceramic replaceable mechanical shaft seal. The material combination provides optimum sealing, resistance and long life. Together with the shaft seal housing, the sand shield forms a labyrinth seal, which during normal operating conditions prevents penetration of sand particles into the shaft seal.

The motor is fitted with the Grundfos Tempcon temperature sensor device that includes a NTC-resistor which senses the temperature.

The resistor is built-in close to the winding.

The temperature is converted into a high-frequency signal which is sent via the submersible drop cable and which can be converted into a temperature reading by means of Grundfos MP204.

The MP204 is an electronic motor protection device that also monitors the supply network quality to protect the submersible motor against supply network disturbances.



Liquid:
 Pumped liquid: Water
 Liquid max temp: 40 °C
 Max liquid t at 0.15 m/sec: 40 °C
 Selected liquid temperature: 20 °C
 Density: 998.2 kg/m³

Technical:
 Pump speed on which pump data are based: 2900 rpm
 Rated flow: 14 m³/h
 Rated head: 87 m
 Shaft seal for motor: HM/CER
 Approvals on nameplate: CE, EAC
 Curve tolerance: ISO9906:2012 3B
 Motor version: T40

Materials:
 Pump: Stainless steel
 EN 1.4301
 AISI 304
 Impeller: Stainless steel
 EN 1.4301
 AISI 304
 Motor: Stainless steel
 DIN W.-Nr. 1.4301

Qty.	Description
1	<p data-bbox="564 338 660 371">AISI 304</p> <p data-bbox="196 398 325 432">Installation:</p> <p data-bbox="196 432 612 465">Pump outlet: Rp2</p> <p data-bbox="196 465 632 499">Motor diameter: 4 inch</p> <p data-bbox="196 526 363 560">Electrical data:</p> <p data-bbox="196 560 660 593">Motor type: MS4000</p> <p data-bbox="196 593 644 627">Rated power - P2: 5.5 kW</p> <p data-bbox="196 627 644 660">Power (P2) required by pump: 5.5 kW</p> <p data-bbox="196 660 632 694">Mains frequency: 50 Hz</p> <p data-bbox="196 694 767 728">Rated voltage: 3 x 380-400-415 V</p> <p data-bbox="196 728 748 761">Rated current: 13.0-13.0-13.4 A</p> <p data-bbox="196 761 732 795">Starting current: 480-530-550 %</p> <p data-bbox="196 795 724 828">Cos phi - power factor: 0.85-0.81-0.76</p> <p data-bbox="196 828 793 862">Rated speed: 2850-2860-2870 rpm</p> <p data-bbox="196 862 708 896">Start. method: direct-on-line</p> <p data-bbox="196 896 619 929">Enclosure class (IEC 34-5): IP68</p> <p data-bbox="196 929 580 963">Insulation class (IEC 85): F</p> <p data-bbox="196 963 606 996">Built-in temp. transmitter: yes</p> <p data-bbox="196 996 675 1030">Motor No: 79195511</p> <p data-bbox="196 1030 683 1064">Windings: Enamelled</p> <p data-bbox="196 1090 284 1124">Others:</p> <p data-bbox="196 1124 635 1158">Minimum efficiency index, MEI ≥: 0.50</p> <p data-bbox="196 1158 804 1191">ErP status: EuP Standalone/Prod.</p> <p data-bbox="196 1191 628 1225">Net weight: 47 kg</p> <p data-bbox="196 1225 647 1258">Gross weight: 82.2 kg</p> <p data-bbox="196 1258 663 1292">Shipping volume: 0.295 m³</p> <p data-bbox="196 1292 687 1326">Danish VVS No.: 388482020</p> <p data-bbox="196 1326 663 1359">Finnish LVI No.: 4762712</p> <p data-bbox="196 1359 603 1393">Country of origin: GB</p> <p data-bbox="196 1393 675 1426">Custom tariff no.: 84137029</p>



Company name:

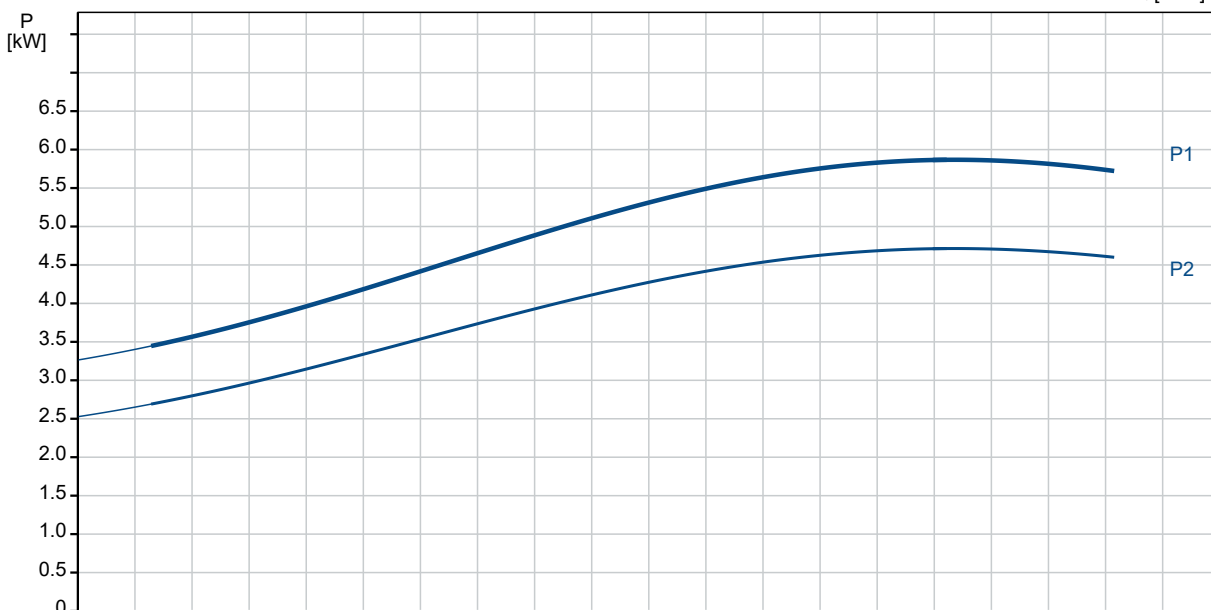
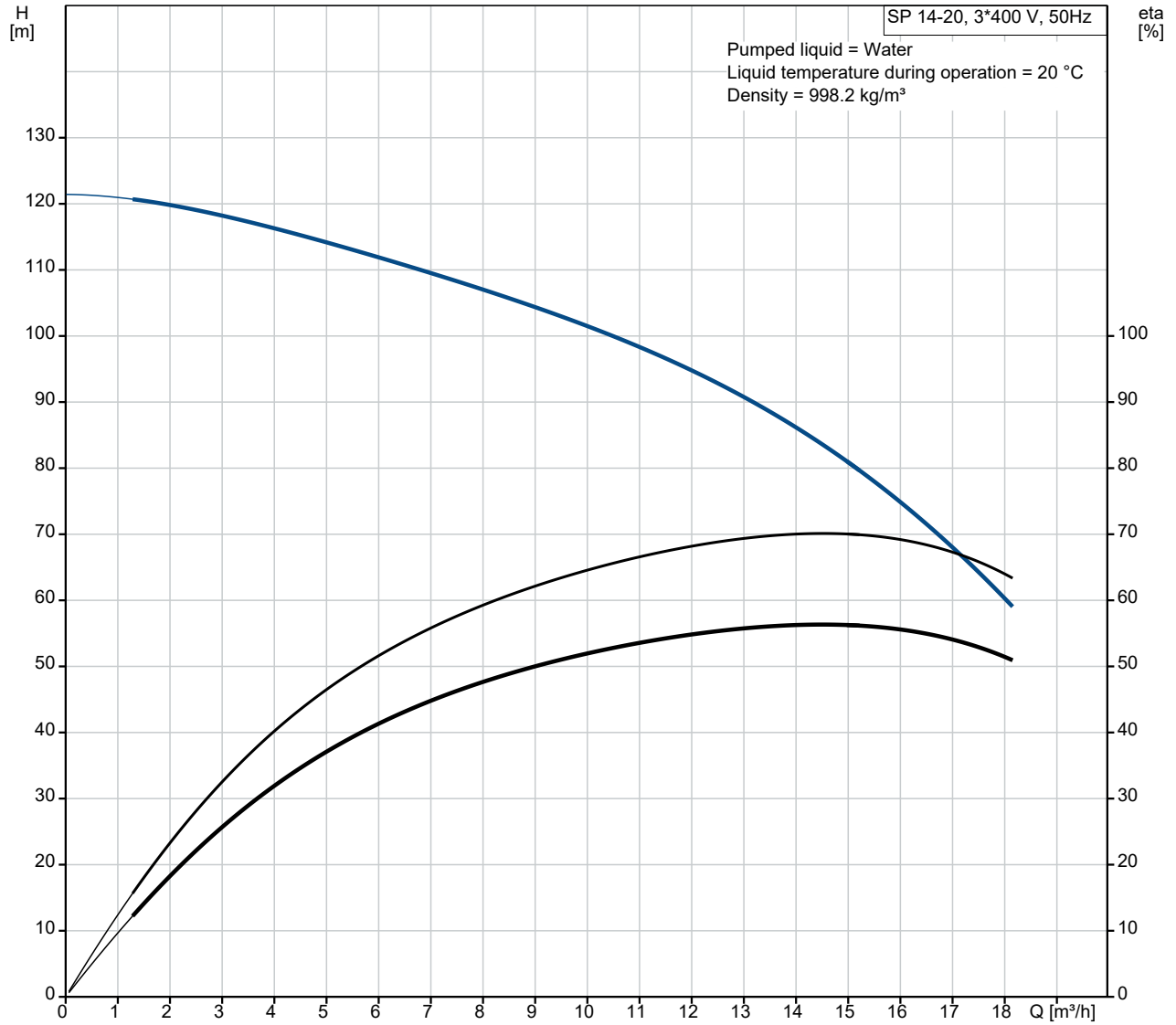
Created by:

Phone:

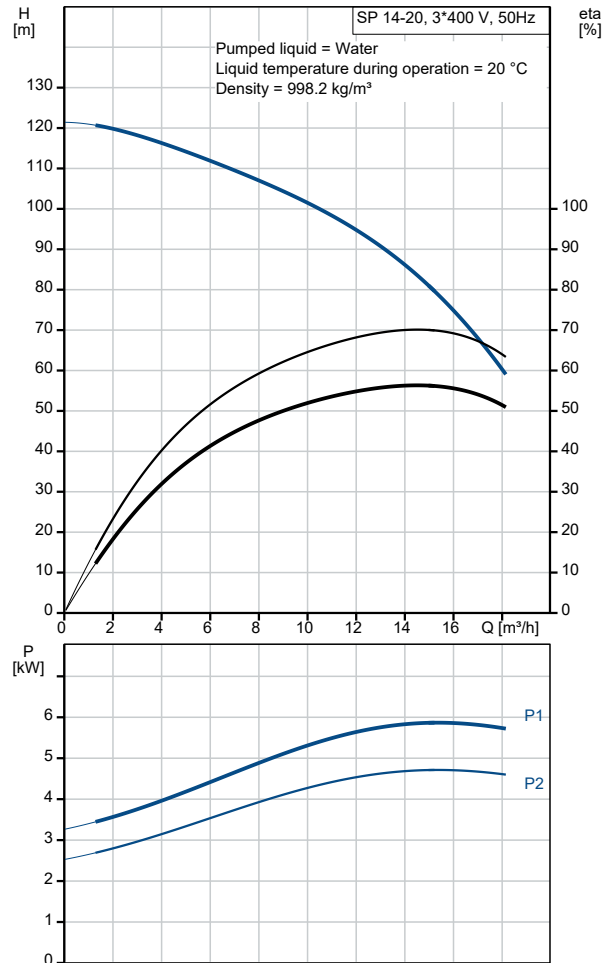
Date:

08/08/2022

98699360 SP 14-20 50 Hz



Description	Value
General information:	
Product name:	SP 14-20
Product No:	98699360
EAN number:	5712600112032
Technical:	
Pump speed on which pump data are based:	2900 rpm
Rated flow:	14 m ³ /h
Rated head:	87 m
Stages:	20
Impeller reduc.:	NONE
Shaft seal for motor:	HM/CER
Approvals on nameplate:	CE,EAC
Curve tolerance:	ISO9906:2012 3B
Model:	A
Valve:	YES
Motor version:	T40
Materials:	
Pump:	Stainless steel
Pump:	EN 1.4301
Pump:	AISI 304
Impeller:	Stainless steel
Impeller:	EN 1.4301
Impeller:	AISI 304
Motor:	Stainless steel
Motor:	DIN W.-Nr. 1.4301
Motor:	AISI 304
Installation:	
Pump outlet:	Rp2
Motor diameter:	4 inch
Liquid:	
Pumped liquid:	Water
Liquid max temp:	40 °C
Max liquid t at 0.15 m/sec:	40 °C
Selected liquid temperature:	20 °C
Density:	998.2 kg/m ³
Electrical data:	
Motor type:	MS4000
Applic. motor:	NEMA
Rated power - P2:	5.5 kW
Power (P2) required by pump:	5.5 kW
Mains frequency:	50 Hz
Rated voltage:	3 x 380-400-415 V
Rated current:	13.0-13.0-13.4 A
Starting current:	480-530-550 %
Cos phi - power factor:	0.85-0.81-0.76
Rated speed:	2850-2860-2870 rpm
Start. method:	direct-on-line
Enclosure class (IEC 34-5):	IP68
Insulation class (IEC 85):	F
Built-in motor protection:	NONE
Thermal protec:	external
Built-in temp. transmitter:	yes
Motor No:	79195511
Windings:	Enamelled
Others:	
Minimum efficiency index, MEI ≥:	0.50
ErP status:	EuP Standalone/Prod.





Company name:

Created by:

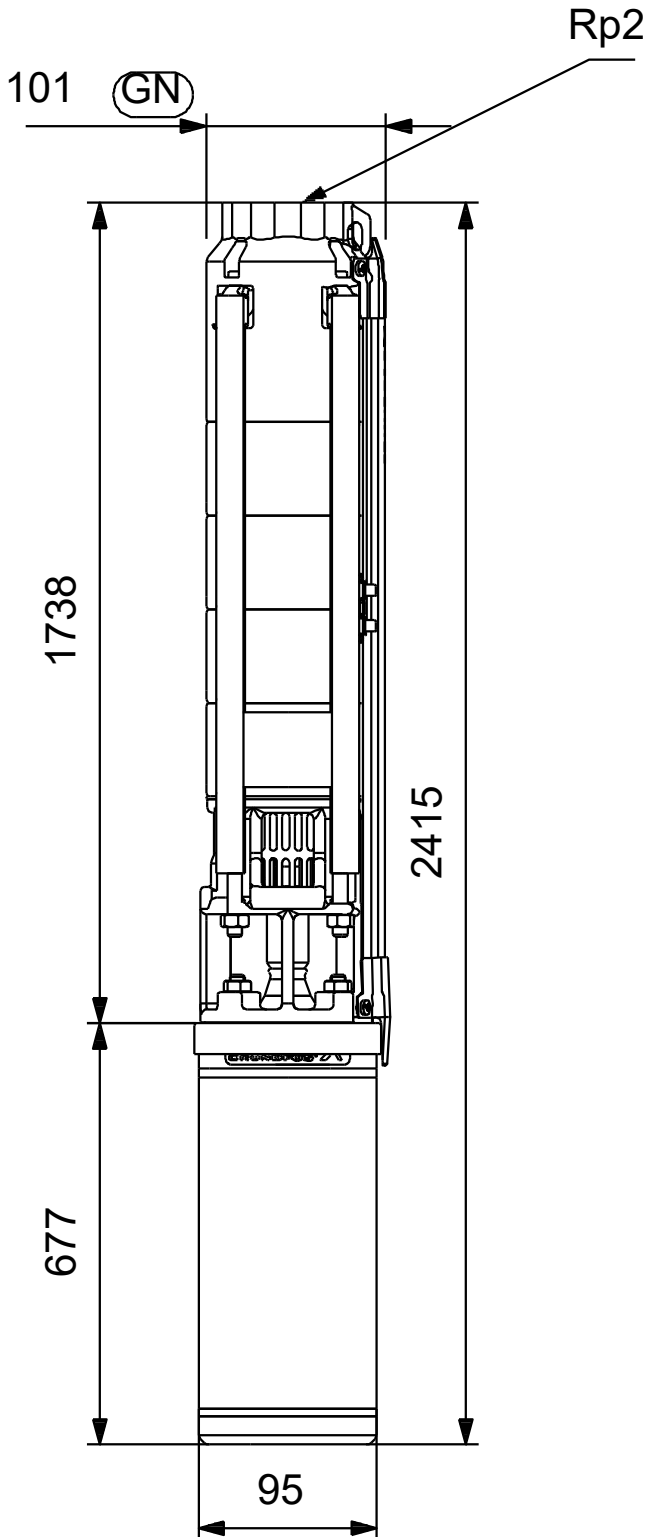
Phone:

Date:

08/08/2022

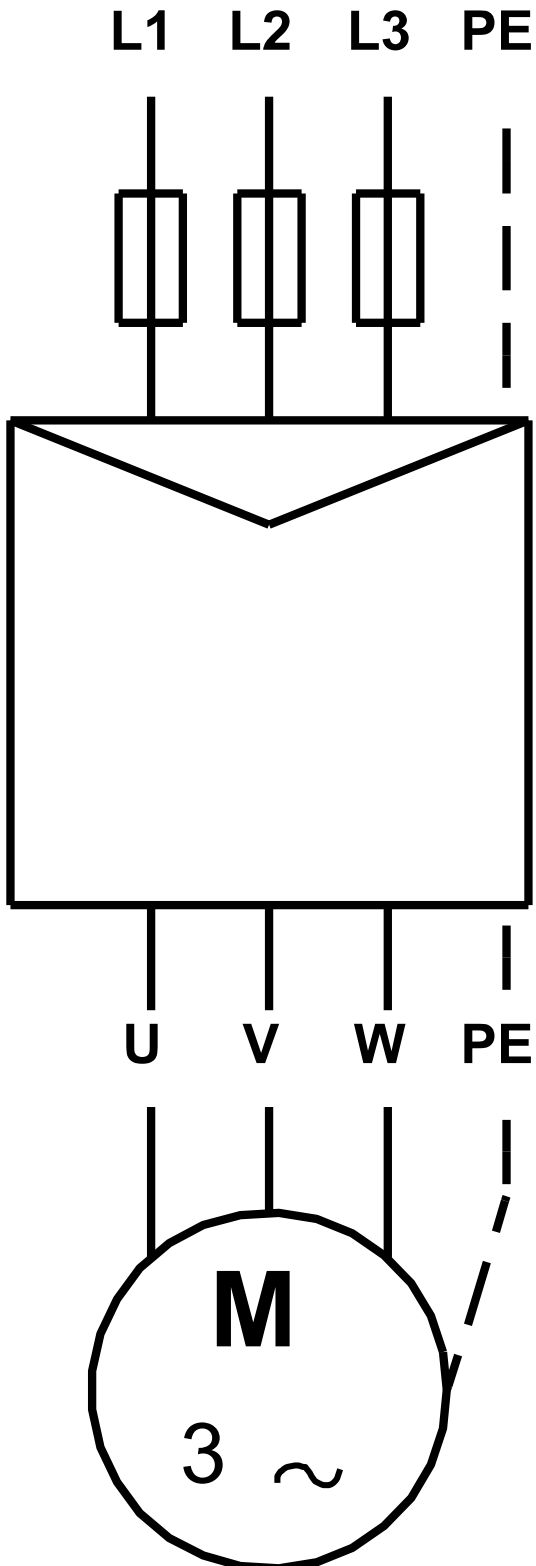
Description	Value
Net weight:	47 kg
Gross weight:	82.2 kg
Shipping volume:	0.295 m ³
Danish VVS No.:	388482020
Finnish LVI No.:	4762712
Country of origin:	GB
Custom tariff no.:	84137029

98699360 SP 14-20 50 Hz



Note! All units are in [mm] unless others are stated.
Disclaimer: This simplified dimensional drawing does not show all details.

98699360 SP 14-20 50 Hz



Note! All units are in [mm] unless others are stated.