

Qty. Description1 **TPED 125-190/4 A-F-A-BQQE-NX3****Note! Product picture may differ from actual product**

Product No.: On request

Single-stage, close-coupled, volute twin-head pump with in-line suction and discharge ports of identical diameter. The twin-head pump is designed with two parallel power-heads.

The pump is of the top-pull-out design, i.e. the power head (motor, pump head and impeller) can be removed for maintenance or service while the pump housing remains in the pipework.

Each power head is fitted with an unbalanced rubber bellows seal.

The shaft seal is according to EN 12756. Pipework connection is via PN 16 DIN flanges (EN 1092-2 and ISO 7005-2).

Each power head is fitted with a fan-cooled asynchronous motor of identical size.

Controls:

Frequency converter: Built-in

Liquid:

Pumped liquid: Water
 Liquid temperature range: -25 .. 120 °C
 Selected liquid temperature: 20 °C
 Density: 998.2 kg/m³

Technical:

Pump speed on which pump data are based: 1470 rpm
 Rated flow: 143 m³/h
 Rated head: 16 m
 Actual impeller diameter: 240 mm
 Code for shaft seal: BQQE
 Curve tolerance: ISO9906:2012 3B

Materials:

Pump housing: Cast iron
 EN-GJL-250
 ASTM class 35
 Impeller: Cast iron
 EN-GJL-200
 ASTM class 30

Installation:

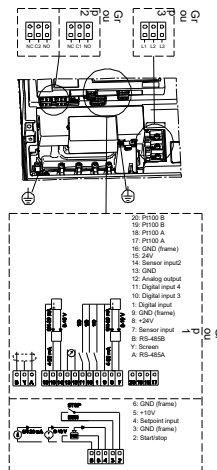
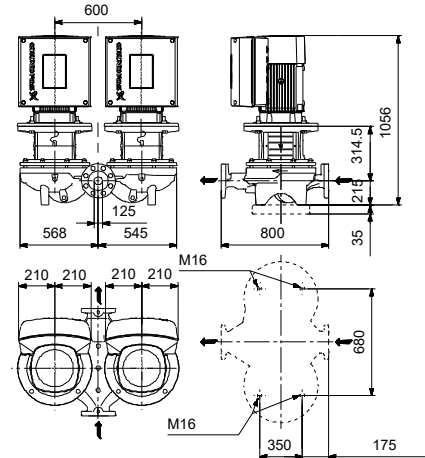
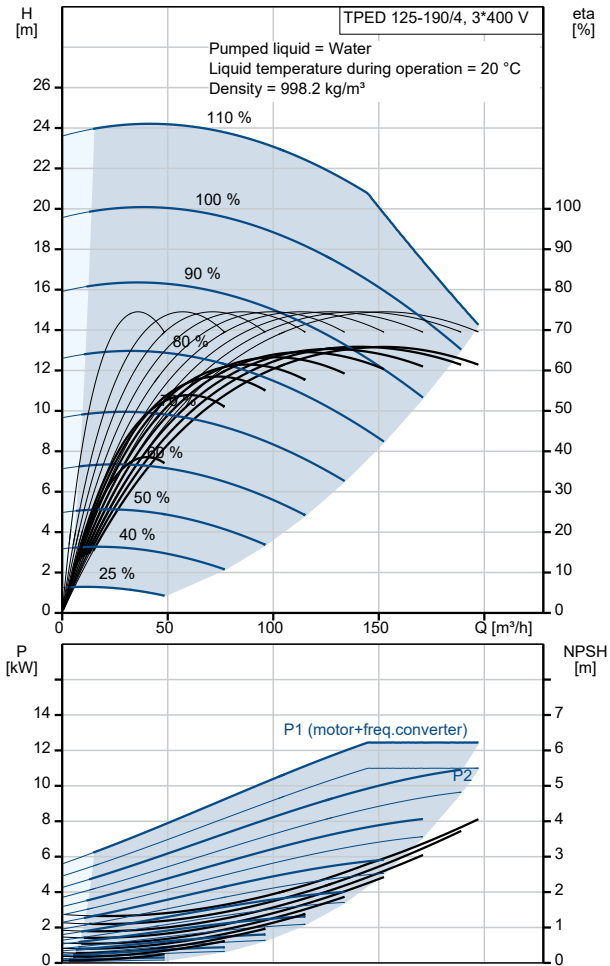
Range of ambient temperature: -20 .. 40 °C
 Maximum operating pressure: 16 bar
 Max pressure at stated temp: 16 bar / 120 °C
 Type of connection: DIN
 Size of connection: DN 125
 Pressure rating for connection: PN 16
 Port-to-port length: 800 mm
 Flange size for motor: FF300

Electrical data:

Motor type: 160MB
 IE Efficiency class: IE3
 Rated power - P2: 11 kW
 Mains frequency: 50 Hz
 Rated voltage: 3 x 380-480 V
 Rated current: 22.0-17.8 A

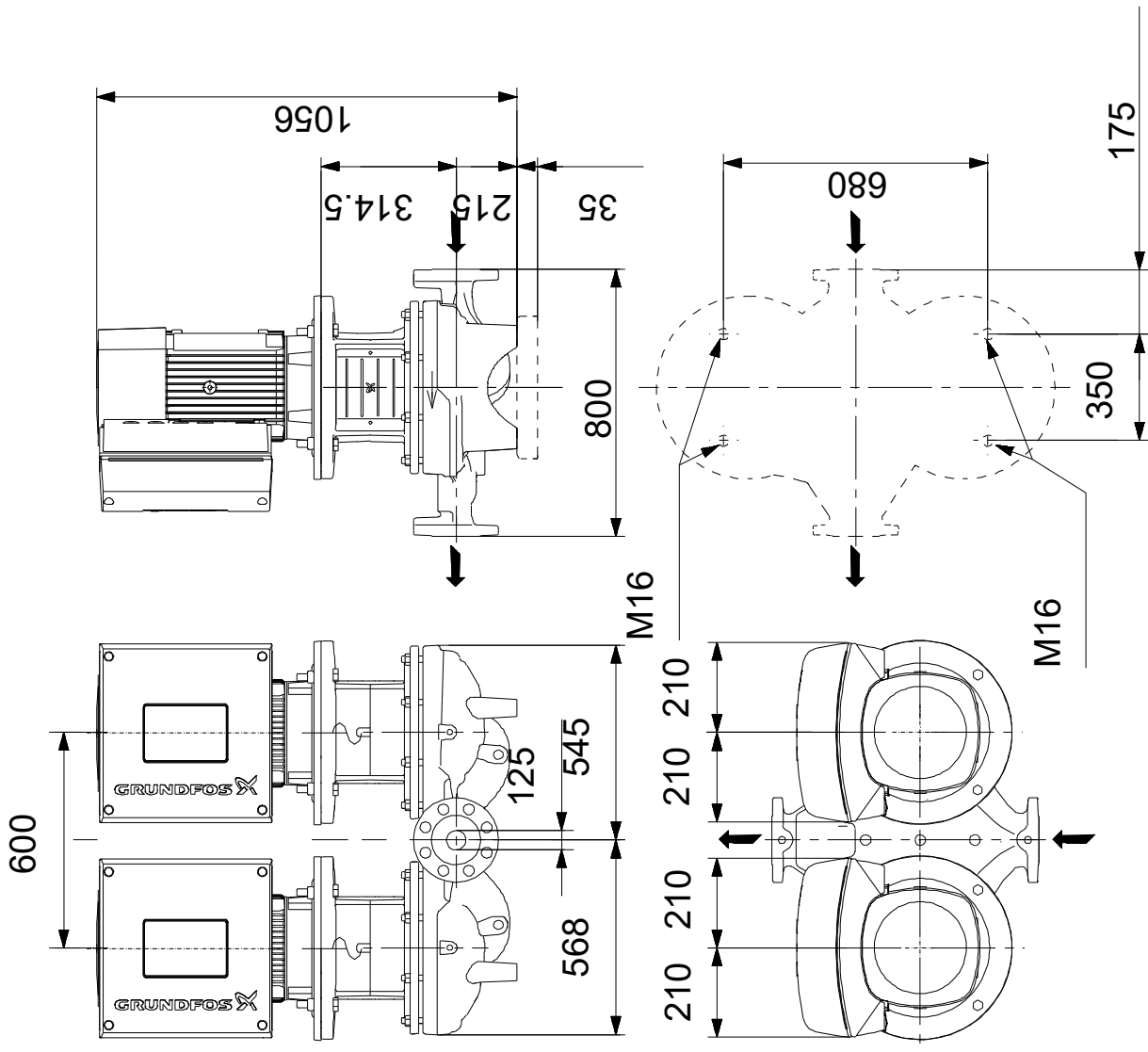
Qty.	Description
1	<p> Cos phi - power factor: 0.91-0.90 Rated speed: 240-1750 rpm Efficiency: IE3 91,4% Motor efficiency at full load: 91.4 % Number of poles: 4 Enclosure class (IEC 34-5): IP55 Insulation class (IEC 85): F Motor No: 86906182 </p> <p> Others: Minimum efficiency index, MEI ≥: 0.70 Net weight: 592 kg Gross weight: 654 kg Shipping volume: 1.87 m³ Country of origin: HU Custom tariff no.: 84139100 </p>

Description	Value
General information:	
Product name:	TPED 125-190/4 A-F-A-BQQE-NX3
Product No:	On request
EAN number:	On request
Technical:	
Pump speed on which pump data are based:	1470 rpm
Rated flow:	143 m ³ /h
Rated head:	16 m
Maximum head:	190 dm
Actual impeller diameter:	240 mm
Code for shaft seal:	BQQE
Curve tolerance:	ISO9906:2012 3B
Pump version:	A
Materials:	
Pump housing:	Cast iron
Pump housing:	EN-GJL-250
Pump housing:	ASTM class 35
Impeller:	Cast iron
Impeller:	EN-GJL-200
Impeller:	ASTM class 30
Material code:	A
Installation:	
Range of ambient temperature:	-20 .. 40 °C
Maximum operating pressure:	16 bar
Max pressure at stated temp:	16 bar / 120 °C
Type of connection:	DIN
Size of connection:	DN 125
Pressure rating for connection:	PN 16
Port-to-port length:	800 mm
Flange size for motor:	FF300
Connect code:	F
Liquid:	
Pumped liquid:	Water
Liquid temperature range:	-25 .. 120 °C
Selected liquid temperature:	20 °C
Density:	998.2 kg/m ³
Electrical data:	
Motor type:	160MB
IE Efficiency class:	IE3
Rated power - P2:	11 kW
Mains frequency:	50 Hz
Rated voltage:	3 x 380-480 V
Rated current:	22.0-17.8 A
Cos phi - power factor:	0.91-0.90
Rated speed:	240-1750 rpm
Efficiency:	IE3 91,4%
Motor efficiency at full load:	91.4 %
Number of poles:	4
Enclosure class (IEC 34-5):	IP55
Insulation class (IEC 85):	F
Built-in motor protection:	YES
Motor No:	86906182
Controls:	
Control panel:	Standard
Function Module:	TPED
Frequency converter:	Built-in
Others:	
Minimum efficiency index, MEI ≥:	0.70
Net weight:	592 kg
Gross weight:	654 kg
Shipping volume:	1.87 m ³
Config. file no:	95139409



Description	Value
Country of origin:	HU
Custom tariff no.:	84139100

On request TPED 125-190/4 A-F-A-BQQE-NX3 50 Hz



Note! All units are in [mm] unless others are stated.
 Disclaimer: This simplified dimensional drawing does not show all details.

