
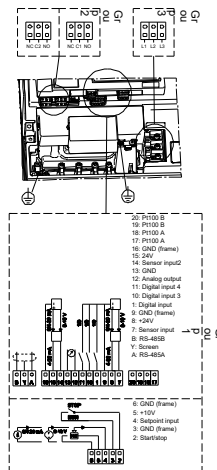
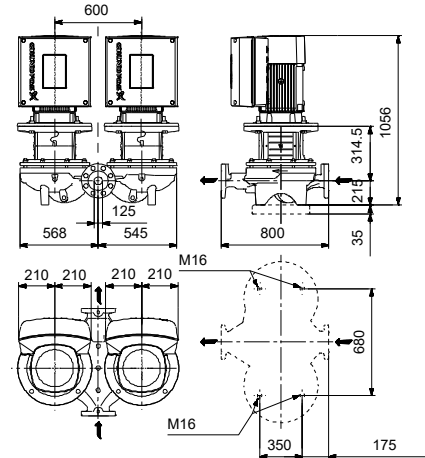
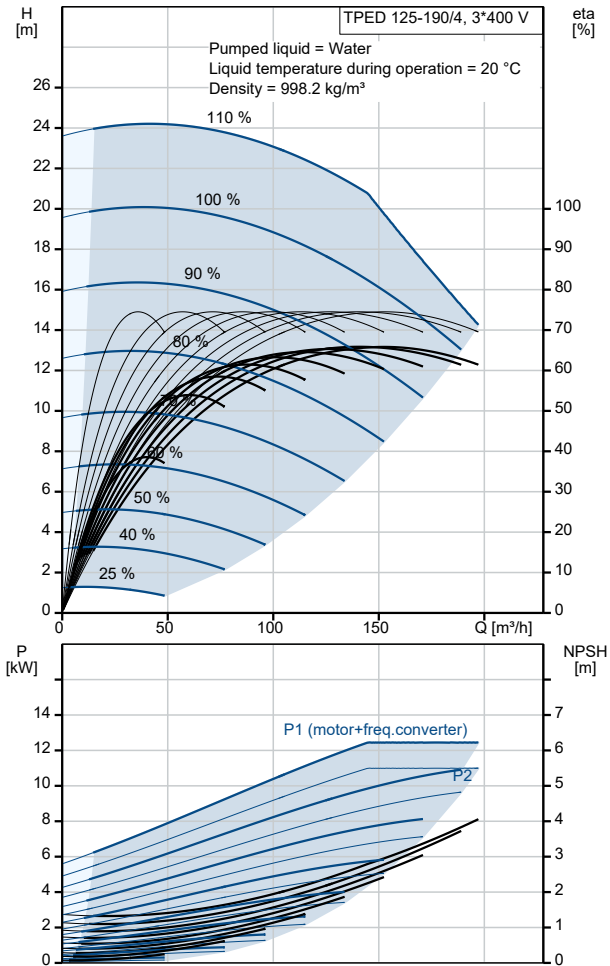


| Qty. | Description   |
|------|---|
| 1    | <p data-bbox="199 159 614 190"><b>TPED 125-190/4 S-A-F-A-BQQE-NX3</b></p>  <p data-bbox="592 506 1064 530"><b>Note! Product picture may differ from actual product</b></p> <p data-bbox="199 539 478 564">Product No.: On request</p> <p data-bbox="199 600 1458 651">Single-stage, close-coupled, volute twin-head pump with in-line suction and discharge ports of identical diameter. The twin-head pump is designed with two parallel power-heads.</p> <p data-bbox="199 658 1401 710">The pump is of the top-pull-out design, i.e. the power head (motor, pump head and impeller) can be removed for maintenance or service while the pump housing remains in the pipework.</p> <p data-bbox="199 716 911 741">Each power head is fitted with an unbalanced rubber bellows seal.</p> <p data-bbox="199 748 1458 772">The shaft seal is according to EN 12756. Pipework connection is via PN 16 DIN flanges (EN 1092-2 and ISO 7005-2).</p> <p data-bbox="199 801 1078 826">Each power head is fitted with a fan-cooled asynchronous motor of identical size.</p> <p data-bbox="199 833 1394 884">The motor includes a frequency converter and PI controller in the motor terminal box. This enables continuously variable control of the motor speed, which again enables adaptation of the performance to a given requirement.</p> <p data-bbox="199 891 769 916">The pump is fitted with a differential pressure sensor.</p> <p data-bbox="199 949 300 974"><b>Controls:</b></p> <p data-bbox="199 981 639 1005">Frequency converter: Built-in</p> <p data-bbox="199 1039 276 1064"><b>Liquid:</b></p> <p data-bbox="199 1070 632 1095">Pumped liquid: Water</p> <p data-bbox="199 1102 702 1126">Liquid temperature range: -25 .. 120 °C</p> <p data-bbox="199 1133 628 1158">Selected liquid temperature: 20 °C</p> <p data-bbox="199 1164 695 1189">Density: 998.2 kg/m<sup>3</sup></p> <p data-bbox="199 1223 314 1247"><b>Technical:</b></p> <p data-bbox="199 1254 818 1279">Pump speed on which pump data are based: 1470 rpm</p> <p data-bbox="199 1285 663 1310">Rated flow: 143 m<sup>3</sup>/h</p> <p data-bbox="199 1317 620 1341">Rated head: 16 m</p> <p data-bbox="199 1348 654 1373">Actual impeller diameter: 240 mm</p> <p data-bbox="199 1379 636 1404">Code for shaft seal: BQQE</p> <p data-bbox="199 1411 759 1435">Curve tolerance: ISO9906:2012 3B</p> <p data-bbox="199 1469 308 1494"><b>Materials:</b></p> <p data-bbox="199 1500 730 1570">Pump housing: Cast iron<br/>EN-GJL-250<br/>ASTM class 35</p> <p data-bbox="199 1576 730 1668">Impeller: Cast iron<br/>EN-GJL-200<br/>ASTM class 30</p> <p data-bbox="199 1702 325 1727"><b>Installation:</b></p> <p data-bbox="199 1733 691 1758">Range of ambient temperature: -20 .. 40 °C</p> <p data-bbox="199 1765 636 1789">Maximum operating pressure: 16 bar</p> <p data-bbox="199 1796 730 1821">Max pressure at stated temp: 16 bar / 120 °C</p> <p data-bbox="199 1827 608 1852">Type of connection: DIN</p> <p data-bbox="199 1859 649 1883">Size of connection: DN 125</p> <p data-bbox="199 1890 636 1915">Pressure rating for connection: PN 16</p> <p data-bbox="199 1921 654 1946">Port-to-port length: 800 mm</p> <p data-bbox="199 1953 636 1977">Flange size for motor: FF300</p> <p data-bbox="199 2011 360 2036"><b>Electrical data:</b></p> <p data-bbox="199 2042 644 2067">Motor type: 160MB</p> <p data-bbox="199 2074 603 2098">IE Efficiency class: IE3</p> <p data-bbox="199 2105 636 2130">Rated power - P2: 11 kW</p> |

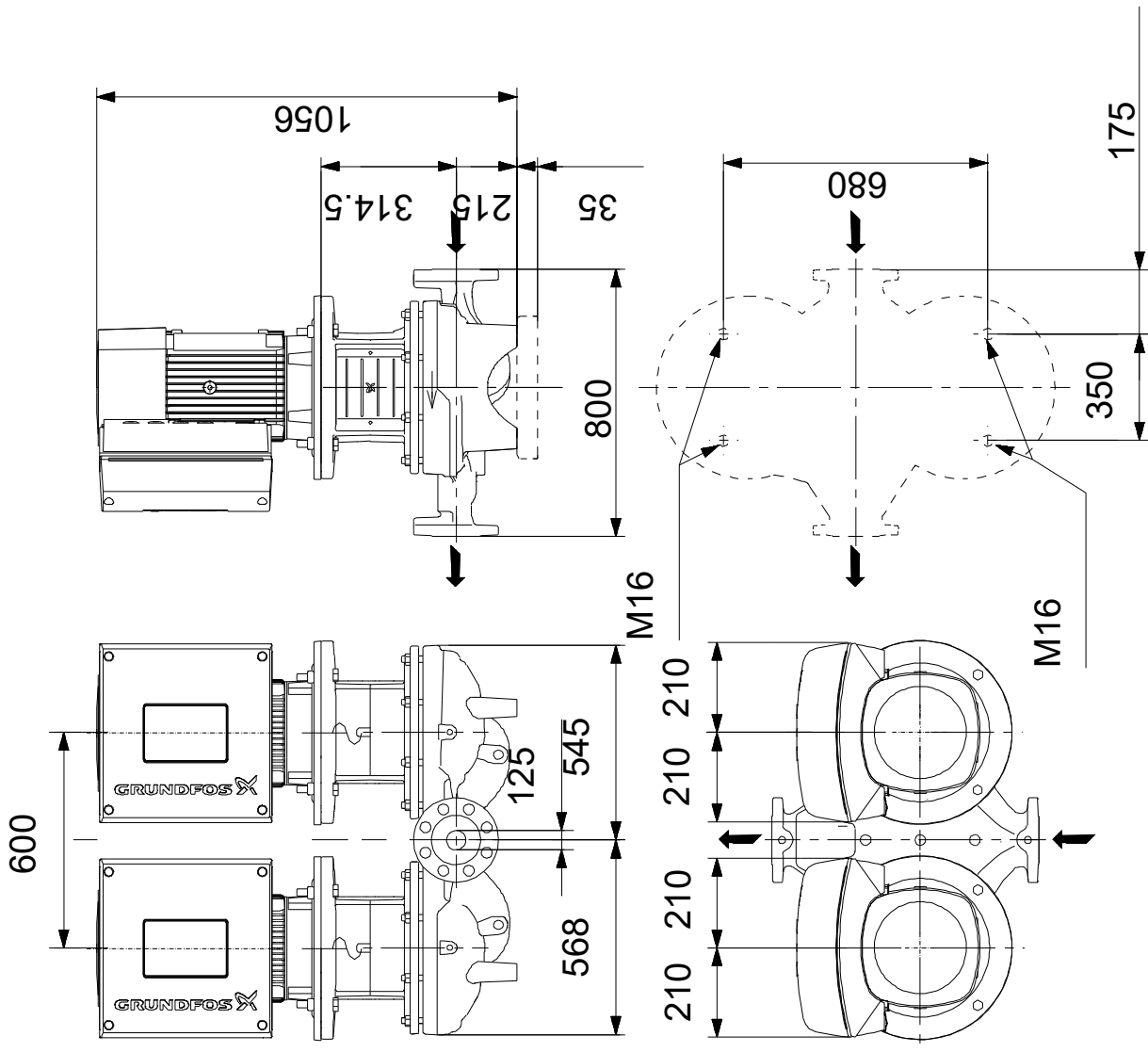
| Qty. | Description  |
|------|--|
| 1    | <p>Mains frequency: 50 Hz<br/> Rated voltage: 3 x 380-480 V<br/> Rated current: 22.0-17.8 A<br/> Cos phi - power factor: 0.91-0.90<br/> Rated speed: 240-1750 rpm<br/> Efficiency: IE3 91,4%<br/> Motor efficiency at full load: 91.4 %<br/> Number of poles: 4<br/> Enclosure class (IEC 34-5): IP55<br/> Insulation class (IEC 85): F<br/> Motor No: 86906161</p> <p>Others:<br/> Minimum efficiency index, MEI ≥: 0.70<br/> Net weight: 592 kg<br/> Gross weight: 654 kg<br/> Shipping volume: 1.87 m<sup>3</sup><br/> Country of origin: HU<br/> Custom tariff no.: 84137065</p> |

| Description                              | Value                              |
|--|------------------------------------|
| <b>General information:</b>              |                                    |
| Product name:                            | TPED 125-190/4<br>S-A-F-A-BQQE-NX3 |
| Product No:                              | On request                         |
| EAN number:                              | On request                         |
| <b>Technical:</b>                        |                                    |
| Pump speed on which pump data are based: | 1470 rpm                           |
| Rated flow:                              | 143 m <sup>3</sup> /h              |
| Rated head:                              | 16 m                               |
| Maximum head:                            | 190 dm                             |
| Actual impeller diameter:                | 240 mm                             |
| Code for shaft seal:                     | BQQE                               |
| Curve tolerance:                         | ISO9906:2012 3B                    |
| Pump version:                            | A                                  |
| <b>Materials:</b>                        |                                    |
| Pump housing:                            | Cast iron                          |
| Pump housing:                            | EN-GJL-250                         |
| Pump housing:                            | ASTM class 35                      |
| Impeller:                                | Cast iron                          |
| Impeller:                                | EN-GJL-200                         |
| Impeller:                                | ASTM class 30                      |
| Material code:                           | A                                  |
| <b>Installation:</b>                     |                                    |
| Range of ambient temperature:            | -20 .. 40 °C                       |
| Maximum operating pressure:              | 16 bar                             |
| Max pressure at stated temp:             | 16 bar / 120 °C                    |
| Type of connection:                      | DIN                                |
| Size of connection:                      | DN 125                             |
| Pressure rating for connection:          | PN 16                              |
| Port-to-port length:                     | 800 mm                             |
| Flange size for motor:                   | FF300                              |
| Connect code:                            | F                                  |
| <b>Liquid:</b>                           |                                    |
| Pumped liquid:                           | Water                              |
| Liquid temperature range:                | -25 .. 120 °C                      |
| Selected liquid temperature:             | 20 °C                              |
| Density:                                 | 998.2 kg/m <sup>3</sup>            |
| <b>Electrical data:</b>                  |                                    |
| Motor type:                              | 160MB                              |
| IE Efficiency class:                     | IE3                                |
| Rated power - P2:                        | 11 kW                              |
| Mains frequency:                         | 50 Hz                              |
| Rated voltage:                           | 3 x 380-480 V                      |
| Rated current:                           | 22.0-17.8 A                        |
| Cos phi - power factor:                  | 0.91-0.90                          |
| Rated speed:                             | 240-1750 rpm                       |
| Efficiency:                              | IE3 91,4%                          |
| Motor efficiency at full load:           | 91.4 %                             |
| Number of poles:                         | 4                                  |
| Enclosure class (IEC 34-5):              | IP55                               |
| Insulation class (IEC 85):               | F                                  |
| Built-in motor protection:               | YES                                |
| Motor No:                                | 86906161                           |
| <b>Controls:</b>                         |                                    |
| Control panel:                           | BS                                 |
| Function Module:                         | TPED                               |
| Frequency converter:                     | Built-in                           |
| <b>Others:</b>                           |                                    |
| Minimum efficiency index, MEI ≥:         | 0.70                               |
| Net weight:                              | 592 kg                             |
| Gross weight:                            | 654 kg                             |
| Shipping volume:                         | 1.87 m <sup>3</sup>                |
| Config. file no:                         | 98772670                           |



| Description        | Value    |
|--------------------|----------|
| Country of origin: | HU       |
| Custom tariff no.: | 84137065 |

**On request TPED 125-190/4 S-A-F-A-BQQE-NX3 50 Hz**



Note! All units are in [mm] unless others are stated.  
 Disclaimer: This simplified dimensional drawing does not show all details.

