
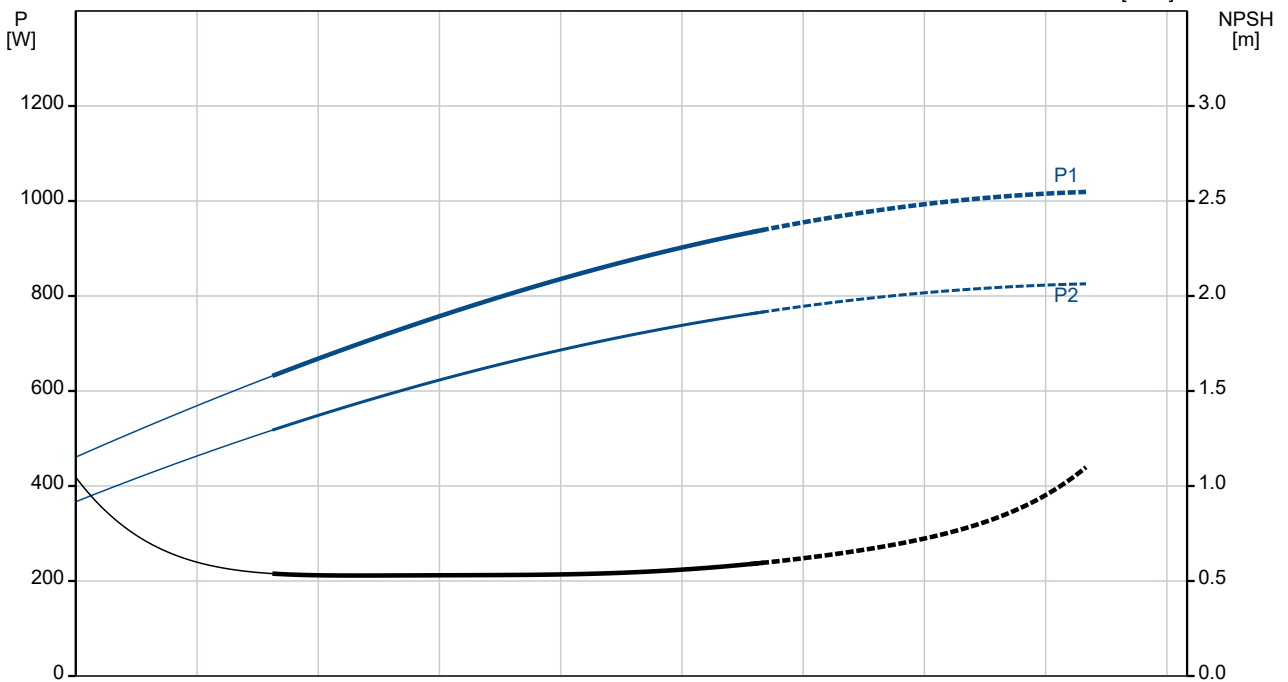
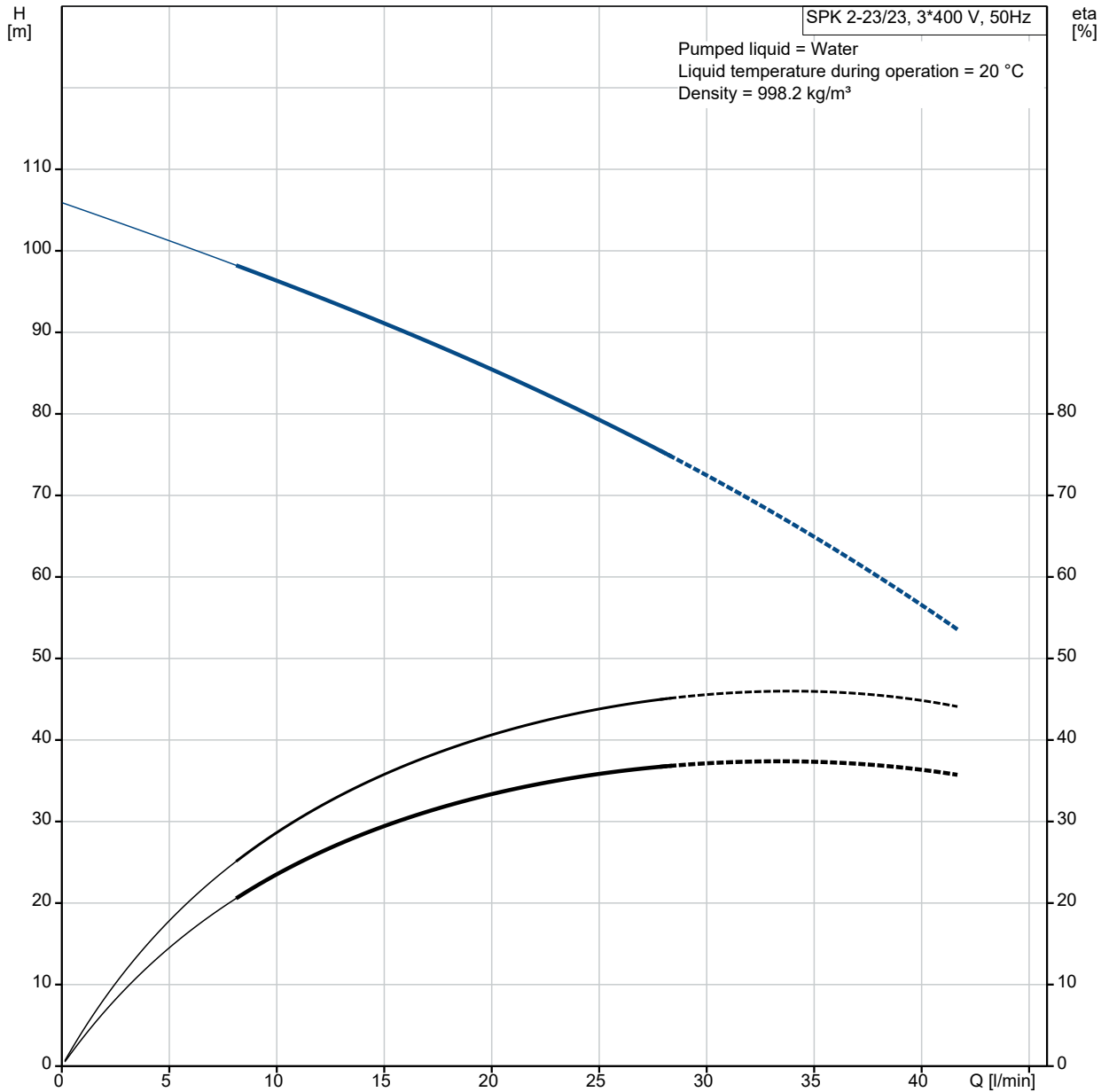


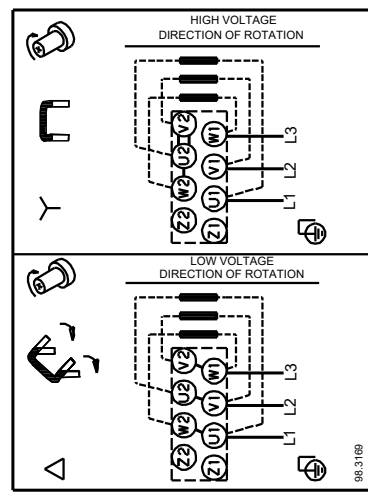
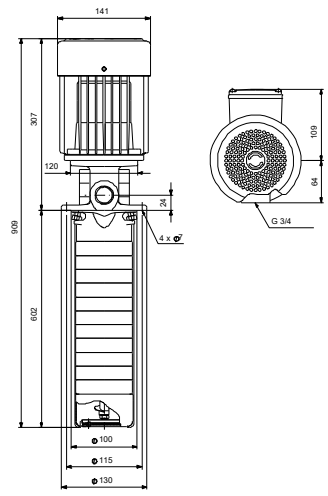
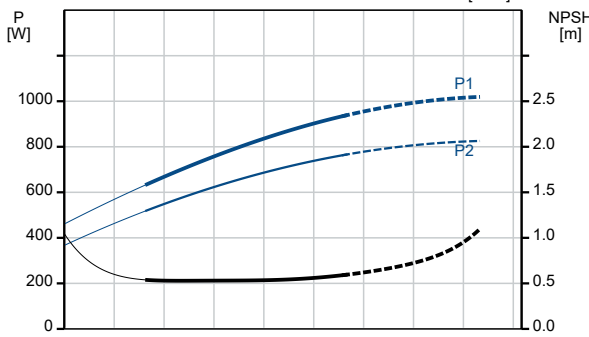
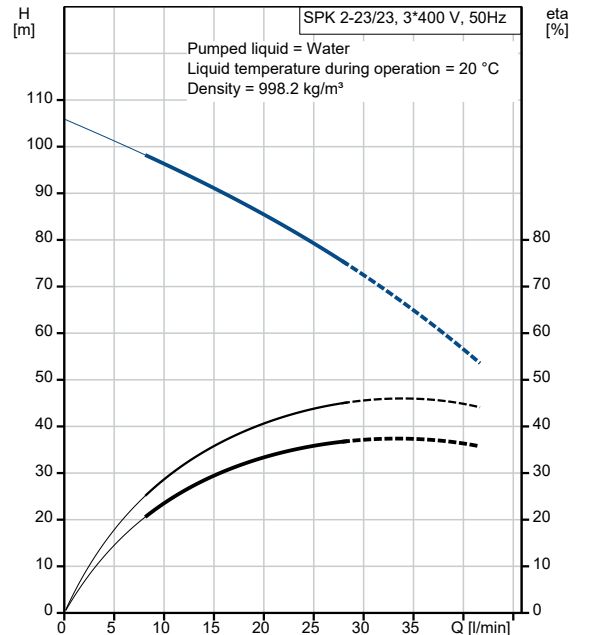
Qty.	Description
1	SPK 2-23/23 A-W-A-AUUV
	
	<p>Note! Product picture may differ from actual product</p>
	<p>Product No.: On request Multistage, immersible, self-priming, centrifugal pump for vertical and horizontal installation in tanks etc.</p>
	<p>The pump has the following characteristics:</p> <ul style="list-style-type: none"> - Installation length according to DIN 5440. - Impellers, intermediate chambers and spline shaft are made of stainless steel and motor stool of GG 20. - Mechanical shaft seal according to EN 12756. - Power transmission via cast iron split coupling.
	<p>The motor is a 3-phase AC motor. Immersion depth: 602 mm</p>
	<p>Liquid: Pumped liquid: Water Liquid temperature range: -10 .. 90 °C Selected liquid temperature: 20 °C Density: 998.2 kg/m³</p>
	<p>Technical: Pump speed on which pump data are based: 2864 rpm Rated flow: 33.3 l/min Rated head: 65.2 m Primary shaft seal: AUUV Curve tolerance: ISO9906:2012 3B Drain holes: Open drain hole</p>
	<p>Materials: Pump head: Cast iron EN-GJL-200 ASTM 25B Impeller: Stainless steel DIN W.-Nr. 1.4301 AISI 304</p>
	<p>Installation: t max amb: 60 °C Pipe connection: G 3/4 Flange size for motor: FT100</p>
	<p>Electrical data: Motor type: 80A IE Efficiency class: IE3 Rated power - P2: 0.75 kW Power (P2) required by pump: 0.75 kW Mains frequency: 50 Hz Rated voltage: 3 x 220-240D/380-415Y V Rated current: 3.30/1.90 A Starting current: 580-620 % Cos phi - power factor: 0.81-0.71 Rated speed: 2840-2870 rpm</p>

Qty.	Description
1	<p>Efficiency: IE3 80,7%</p> <p>Motor efficiency at full load: 80.7 %</p> <p>Motor efficiency at 3/4 load: 82.7 %</p> <p>Motor efficiency at 1/2 load: 81.7 %</p> <p>Number of poles: 2</p> <p>Enclosure class (IEC 34-5): 55 Dust/Jetting</p> <p>Insulation class (IEC 85): F</p> <p>Motor No: 85U05104</p> <p>Others:</p> <p>Minimum efficiency index, MEI ≥: N/A</p> <p>Net weight: 18.4 kg</p> <p>Gross weight: 19.7 kg</p> <p>Country of origin: HU</p> <p>Custom tariff no.: 84137075</p>

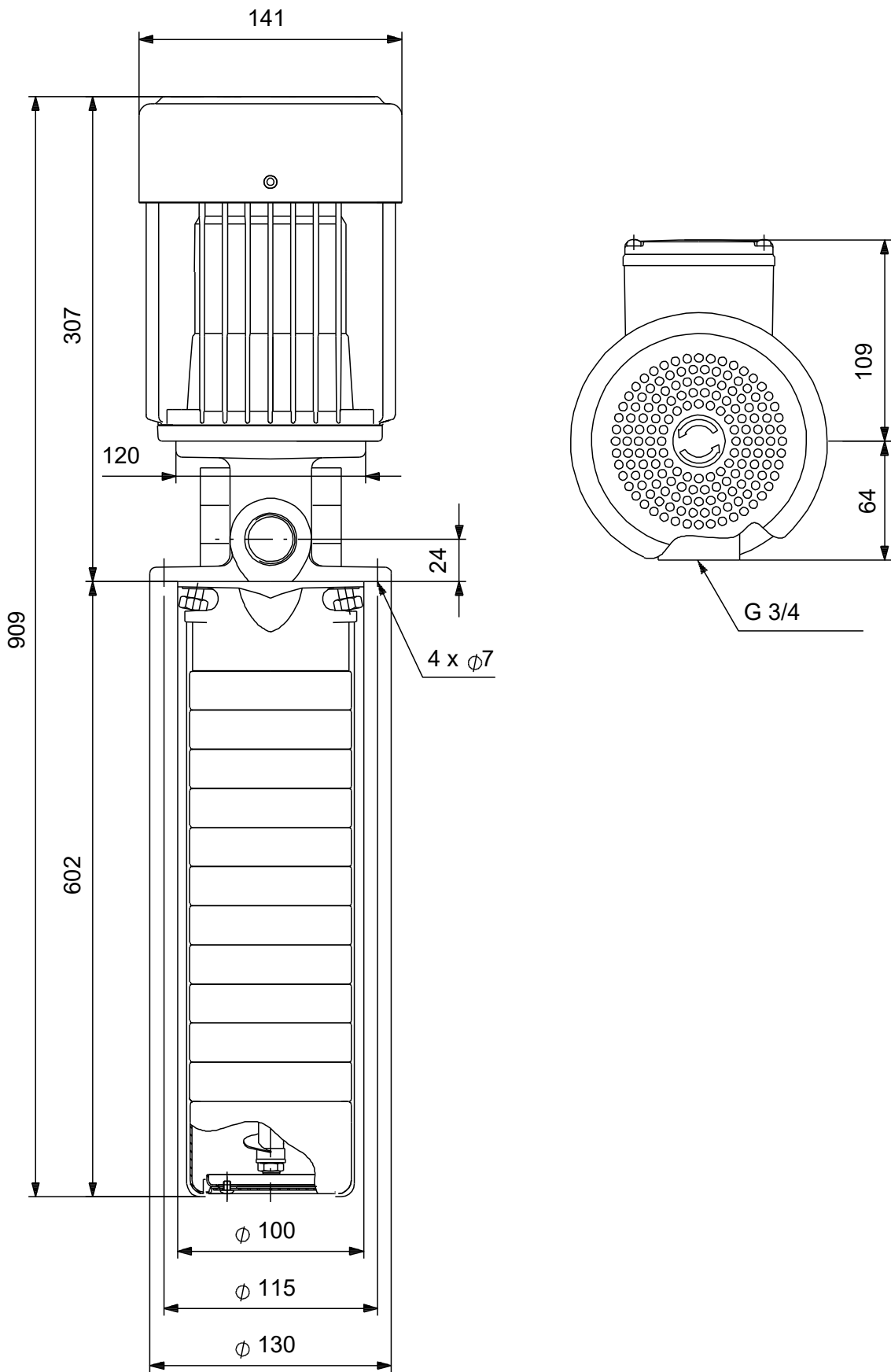
On request SPK 2-23/23 A-W-A-AUUV 50 Hz



Description	Value
General information:	
Product name:	SPK 2-23/23 A-W-A-AUUV
Product No:	On request
EAN number:	On request
Technical:	
Pump speed on which pump data are based:	2864 rpm
Rated flow:	33.3 l/min
Rated head:	65.2 m
Stages:	23
Impellers:	23
Primary shaft seal:	AUUV
Curve tolerance:	ISO9906:2012 3B
Pump version:	A
Model:	E
Drain holes:	Open drain hole
Materials:	
Pump head:	Cast iron
Pump head:	EN-GJL-200
Pump head:	ASTM 25B
Impeller:	Stainless steel
Impeller:	DIN W.-Nr. 1.4301
Impeller:	AISI 304
Material code:	A
Installation:	
t max amb:	60 °C
Pipe connection:	G 3/4
Flange size for motor:	FT100
Connect code:	W
Liquid:	
Pumped liquid:	Water
Liquid temperature range:	-10 .. 90 °C
Selected liquid temperature:	20 °C
Density:	998.2 kg/m ³
Electrical data:	
Motor type:	80A
IE Efficiency class:	IE3
Rated power - P2:	0.75 kW
Power (P2) required by pump:	0.75 kW
Mains frequency:	50 Hz
Rated voltage:	3 x 220-240D/380-415Y V
Rated current:	3.30/1.90 A
Starting current:	580-620 %
Cos phi - power factor:	0.81-0.71
Rated speed:	2840-2870 rpm
Efficiency:	IE3 80,7%
Motor efficiency at full load:	80.7 %
Motor efficiency at 3/4 load:	82.7 %
Motor efficiency at 1/2 load:	81.7 %
Number of poles:	2
Enclosure class (IEC 34-5):	55 Dust/Jetting
Insulation class (IEC 85):	F
Built-in motor protection:	NONE
Motor No:	85U05104
Others:	
Minimum efficiency index, MEI ≥:	N/A
Net weight:	18.4 kg
Gross weight:	19.7 kg
Country of origin:	HU
Custom tariff no.:	84137075

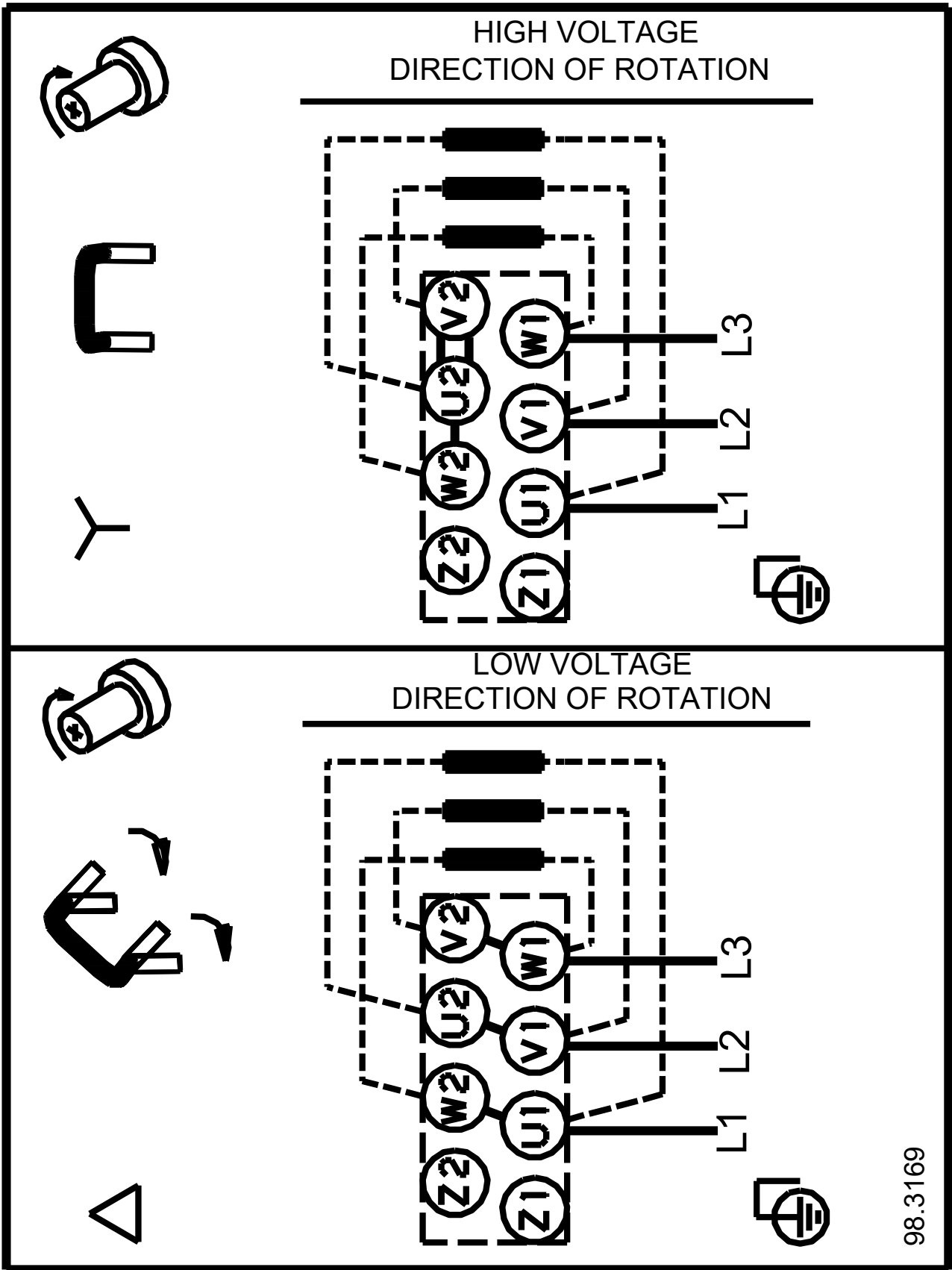


On request SPK 2-23/23 A-W-A-AUUV 50 Hz



Note! All units are in [mm] unless others are stated.
Disclaimer: This simplified dimensional drawing does not show all details.

On request SPK 2-23/23 A-W-A-AUUV 50 Hz



Note! All units are in [mm] unless others are stated.

Order Data:

Position	Your pos.	Product name	Amount	Product No	Total
		SPK 2-23/23	1	On request	Price on request