
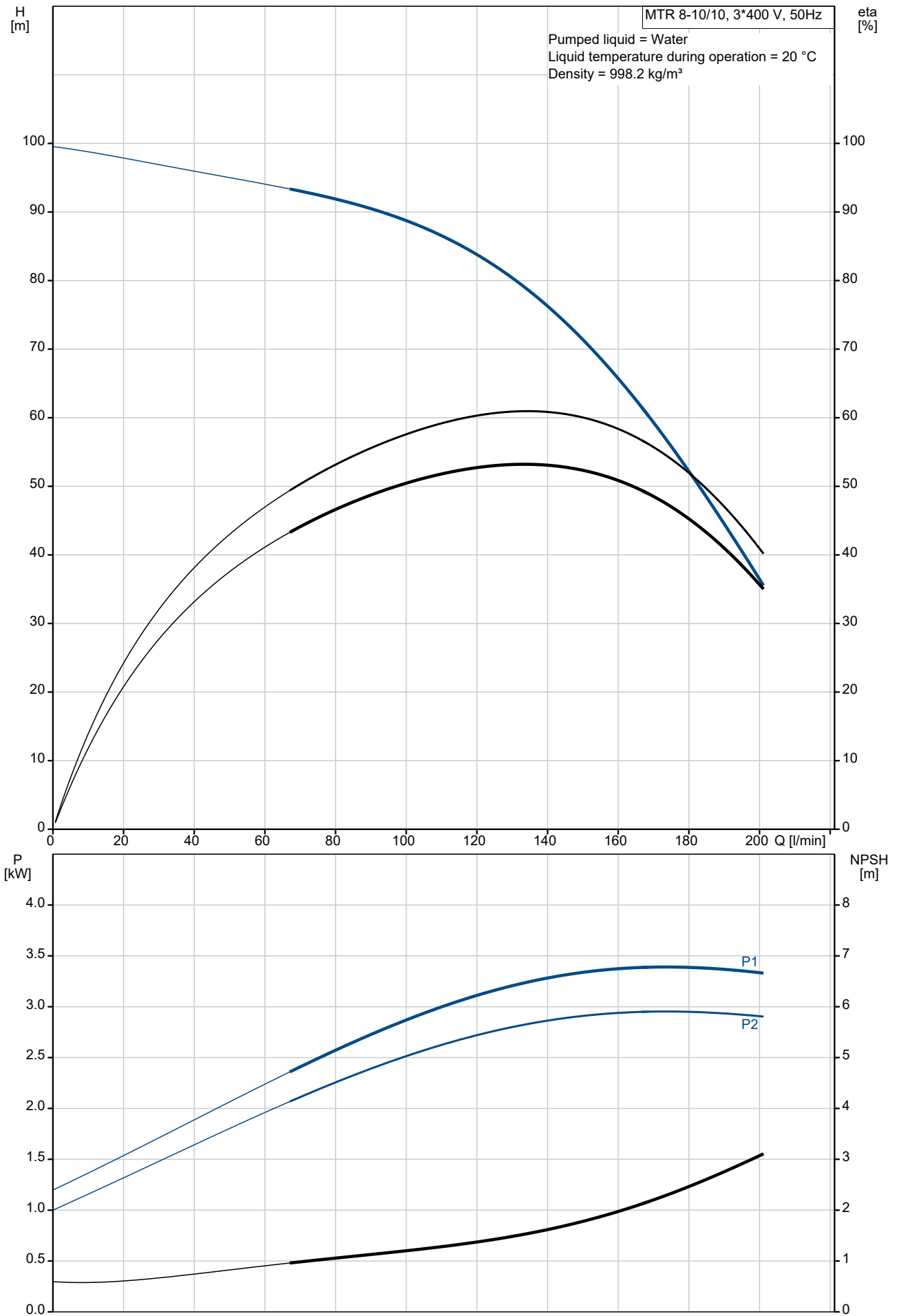


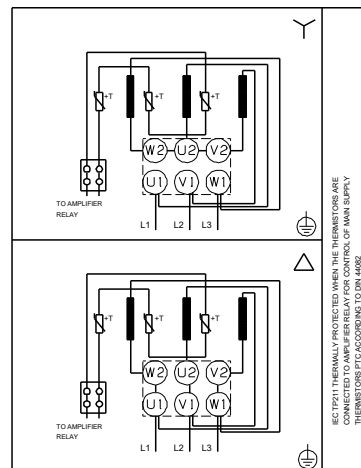
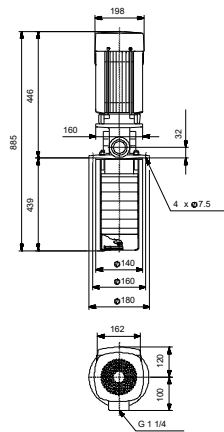
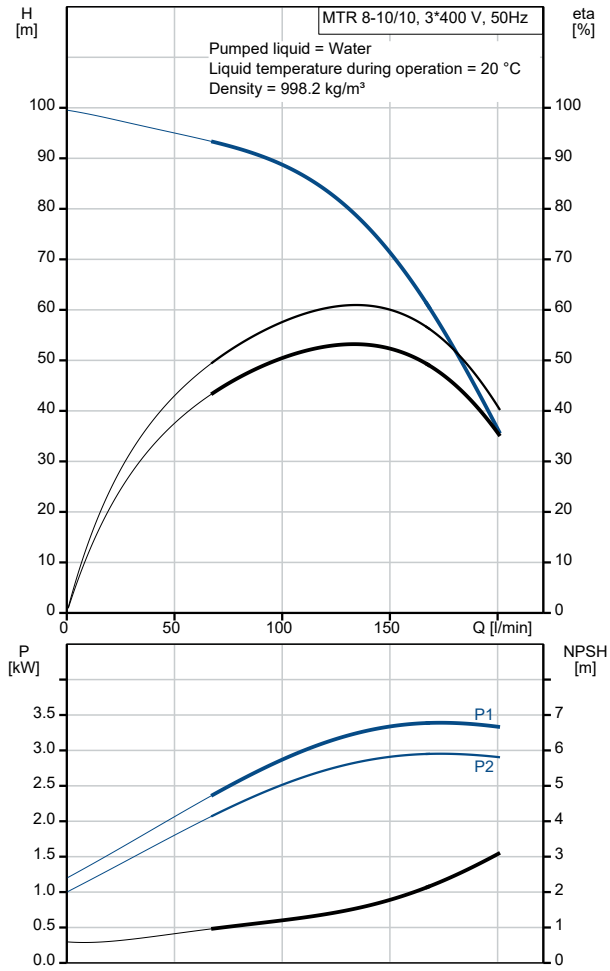
Qty.	Description
1	MTR 8-10/10 A-W-A-HUUV
	
	Product No.: On request
	Multistage, immersible, self-priming, centrifugal pump for vertical installation in tanks etc. The pump head and base are in cast iron – all other wetted parts are in stainless steel. The pump has the following characteristics:
	<ul style="list-style-type: none"> • Dimensions according to DIN 5440. • Impellers, intermediate chambers and spline shaft are made of Stainless steel. • Mechanical shaft seal according to EN 12756. • Power transmission via sintered metal split coupling.
	A cartridge shaft seal ensures high reliability, safe handling, and easy access and service. The pump is fitted with a 3-phase, fan-cooled asynchronous motor.
	Controls:
	Frequency converter: NONE
	Liquid:
	Pumped liquid: Water
	Liquid temperature range: -10 .. 90 °C
	Selected liquid temperature: 20 °C
	Density: 998.2 kg/m ³
	Technical:
	Pump speed on which pump data are based: 2910 rpm
	Rated flow: 133 l/min
	Rated head: 81.4 m
	Chambers: 10
	Drainage back to tank: N
	Pump orientation: Vertical
	Code for shaft seal: HUUV
	Approvals: CE,EAC
	Curve tolerance: ISO9906:2012 3B
	Materials:
	Pump head: Cast iron EN 1561 EN-GJL-200 ASTM A48-25B
	Impeller: Stainless steel EN 1.4301 AISI 304
	Installation:
	t max amb: 60 °C
	Maximum operating pressure: 25 bar
	Max pressure at stated temp: 25 bar / 90 °C
	Type of connection: G internal thread
	Size of outlet connection: 1 1/4 inch
	Immersion depth: 439 mm
	Flange size for motor: FT130
	Electrical data:
	Motor standard: IEC
	Motor type: 100LC
	IE Efficiency class: IE3
	Rated power - P2: 3 kW

Qty.	Description																																														
1	<table border="0"> <tr> <td>Mains frequency:</td> <td>50 Hz</td> </tr> <tr> <td>Suitable for 50/60 Hz:</td> <td>N</td> </tr> <tr> <td>Rated voltage:</td> <td>3 x 380-415D V</td> </tr> <tr> <td>Rated current:</td> <td>6.3 A</td> </tr> <tr> <td>Starting current:</td> <td>840-920 %</td> </tr> <tr> <td>Cos phi - power factor:</td> <td>0.87-0.82</td> </tr> <tr> <td>Rated speed:</td> <td>2900-2920 rpm</td> </tr> <tr> <td>Efficiency:</td> <td>IE3 87,1%</td> </tr> <tr> <td>Motor efficiency at full load:</td> <td>87.1 %</td> </tr> <tr> <td>Motor efficiency at 3/4 load:</td> <td>88.0 %</td> </tr> <tr> <td>Motor efficiency at 1/2 load:</td> <td>87.7 %</td> </tr> <tr> <td>Number of poles:</td> <td>2</td> </tr> <tr> <td>Enclosure class (IEC 34-5):</td> <td>55 Dust/Jetting</td> </tr> <tr> <td>Insulation class (IEC 85):</td> <td>F</td> </tr> <tr> <td>Motor No:</td> <td>85U15510</td> </tr> <tr> <td colspan="2">Others:</td> </tr> <tr> <td>Terminal box position:</td> <td>6</td> </tr> <tr> <td>Minimum efficiency index, MEI ≥:</td> <td>0.70</td> </tr> <tr> <td>Net weight:</td> <td>36.8 kg</td> </tr> <tr> <td>Gross weight:</td> <td>40.4 kg</td> </tr> <tr> <td>Shipping volume:</td> <td>0.077 m³</td> </tr> <tr> <td>Country of origin:</td> <td>HU</td> </tr> <tr> <td>Custom tariff no.:</td> <td>84137075</td> </tr> </table>	Mains frequency:	50 Hz	Suitable for 50/60 Hz:	N	Rated voltage:	3 x 380-415D V	Rated current:	6.3 A	Starting current:	840-920 %	Cos phi - power factor:	0.87-0.82	Rated speed:	2900-2920 rpm	Efficiency:	IE3 87,1%	Motor efficiency at full load:	87.1 %	Motor efficiency at 3/4 load:	88.0 %	Motor efficiency at 1/2 load:	87.7 %	Number of poles:	2	Enclosure class (IEC 34-5):	55 Dust/Jetting	Insulation class (IEC 85):	F	Motor No:	85U15510	Others:		Terminal box position:	6	Minimum efficiency index, MEI ≥:	0.70	Net weight:	36.8 kg	Gross weight:	40.4 kg	Shipping volume:	0.077 m ³	Country of origin:	HU	Custom tariff no.:	84137075
Mains frequency:	50 Hz																																														
Suitable for 50/60 Hz:	N																																														
Rated voltage:	3 x 380-415D V																																														
Rated current:	6.3 A																																														
Starting current:	840-920 %																																														
Cos phi - power factor:	0.87-0.82																																														
Rated speed:	2900-2920 rpm																																														
Efficiency:	IE3 87,1%																																														
Motor efficiency at full load:	87.1 %																																														
Motor efficiency at 3/4 load:	88.0 %																																														
Motor efficiency at 1/2 load:	87.7 %																																														
Number of poles:	2																																														
Enclosure class (IEC 34-5):	55 Dust/Jetting																																														
Insulation class (IEC 85):	F																																														
Motor No:	85U15510																																														
Others:																																															
Terminal box position:	6																																														
Minimum efficiency index, MEI ≥:	0.70																																														
Net weight:	36.8 kg																																														
Gross weight:	40.4 kg																																														
Shipping volume:	0.077 m ³																																														
Country of origin:	HU																																														
Custom tariff no.:	84137075																																														

On request MTR 8-10/10 A-W-A-HUUV 50 Hz

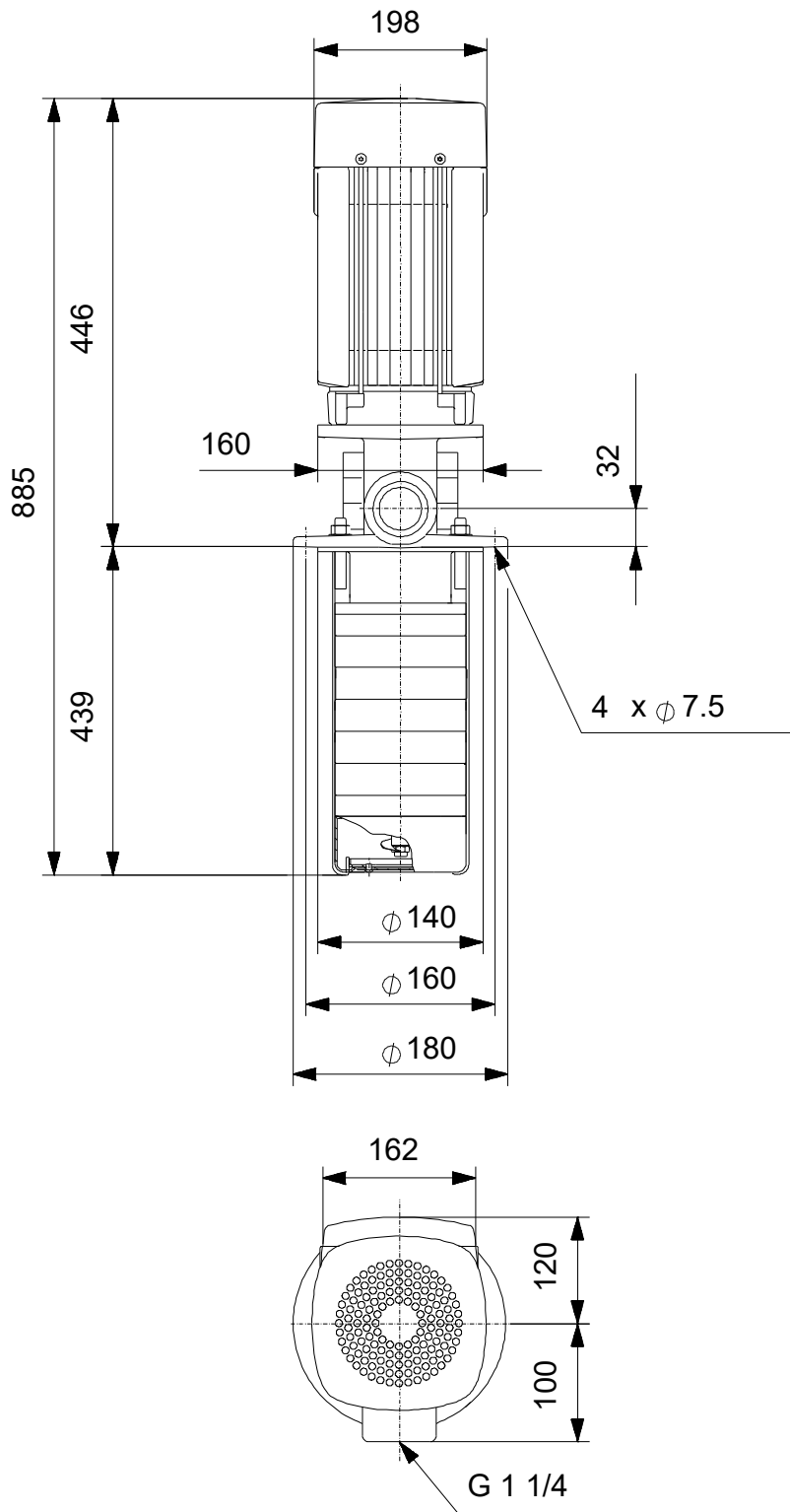


Description	Value
General information:	
Product name:	MTR 8-10/10 A-W-A-HUUV
Product No:	On request
EAN number:	On request
Technical:	
Pump speed on which pump data are based:	2910 rpm
Rated flow:	133 l/min
Rated head:	81.4 m
Chambers:	10
Impellers:	10
Number of reduced-diameter impellers:	0
Drainage back to tank:	N
Pump orientation:	Vertical
Code for shaft seal:	HUUV
Approvals:	CE,EAC
Curve tolerance:	ISO9906:2012 3B
Pump version:	A
Model:	A
Materials:	
Pump head:	Cast iron
Pump head:	EN 1561 EN-GJL-200
Pump head:	ASTM A48-25B
Impeller:	Stainless steel
Impeller:	EN 1.4301
Impeller:	AISI 304
Material code:	A
Installation:	
t max amb:	60 °C
Maximum operating pressure:	25 bar
Max pressure at stated temp:	25 bar / 90 °C
Type of connection:	G internal thread
Size of outlet connection:	1 1/4 inch
Immersion depth:	439 mm
Flange size for motor:	FT130
Connect code:	W </td
Liquid:	
Pumped liquid:	Water
Liquid temperature range:	-10 .. 90 °C
Selected liquid temperature:	20 °C
Density:	998.2 kg/m ³
Electrical data:	
Motor standard:	IEC
Motor type:	100LC
IE Efficiency class:	IE3
Rated power - P2:	3 kW
Mains frequency:	50 Hz
Suitable for 50/60 Hz:	N
Rated voltage:	3 x 380-415D V
Rated current:	6.3 A
Starting current:	840-920 %
Cos phi - power factor:	0.87-0.82
Rated speed:	2900-2920 rpm
Efficiency:	IE3 87,1%
Motor efficiency at full load:	87.1 %
Motor efficiency at 3/4 load:	88.0 %
Motor efficiency at 1/2 load:	87.7 %
Number of poles:	2
Enclosure class (IEC 34-5):	55 Dust/Jetting
Insulation class (IEC 85):	F
Built-in motor protection:	PTC
Motor No:	85U15510
Controls:	



Description	Value
Frequency converter:	NONE
Others:	
Terminal box position:	6
Minimum efficiency index, MEI ≥:	0.70
Net weight:	36.8 kg
Gross weight:	40.4 kg
Shipping volume:	0.077 m ³
Country of origin:	HU
Custom tariff no.:	84137075

On request MTR 8-10/10 A-W-A-HUUV 50 Hz



Note! All units are in [mm] unless others are stated.
Disclaimer: This simplified dimensional drawing does not show all details.

On request MTR 8-10/10 A-W-A-HUUV 50 Hz



IEC TP211 THERMALLY PROTECTED WHEN THE THERMISTORS ARE
CONNECTED TO AMPLIFIER RELAY FOR CONTROL OF MAIN SUPPLY
THERMISTORS PTC ACCORDING TO DIN 44082

Note! All units are in [mm] unless others are stated.

