
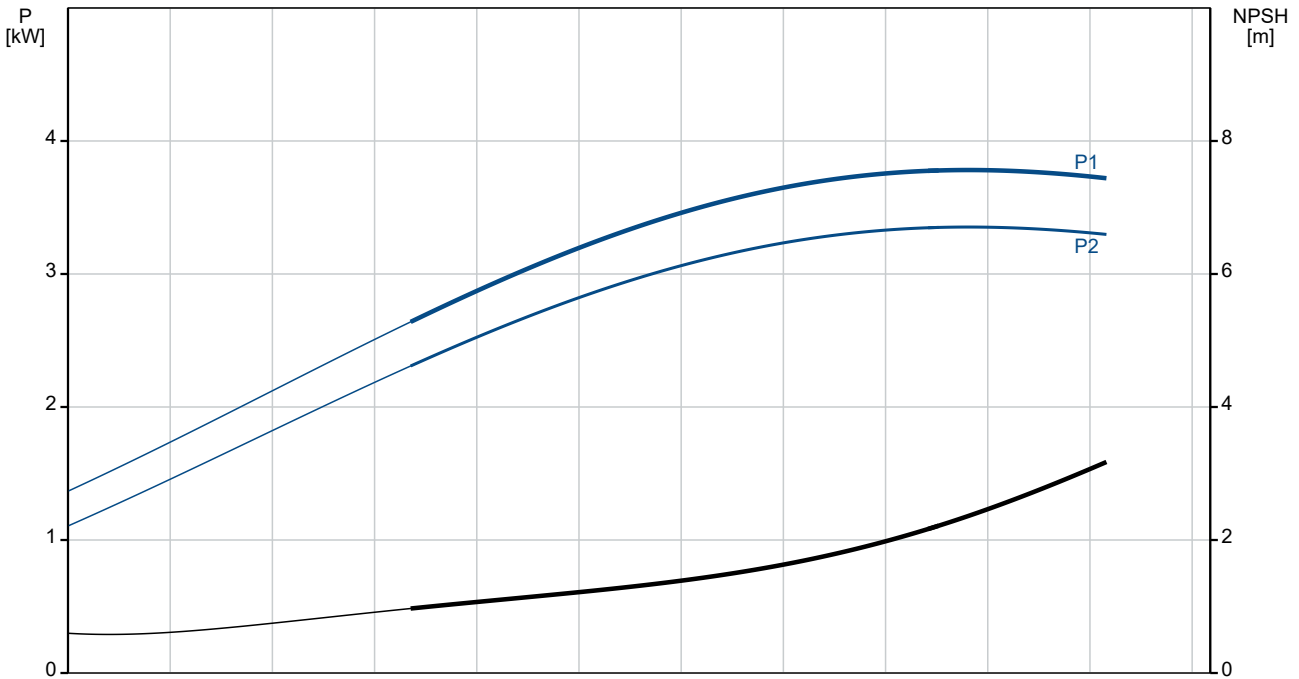
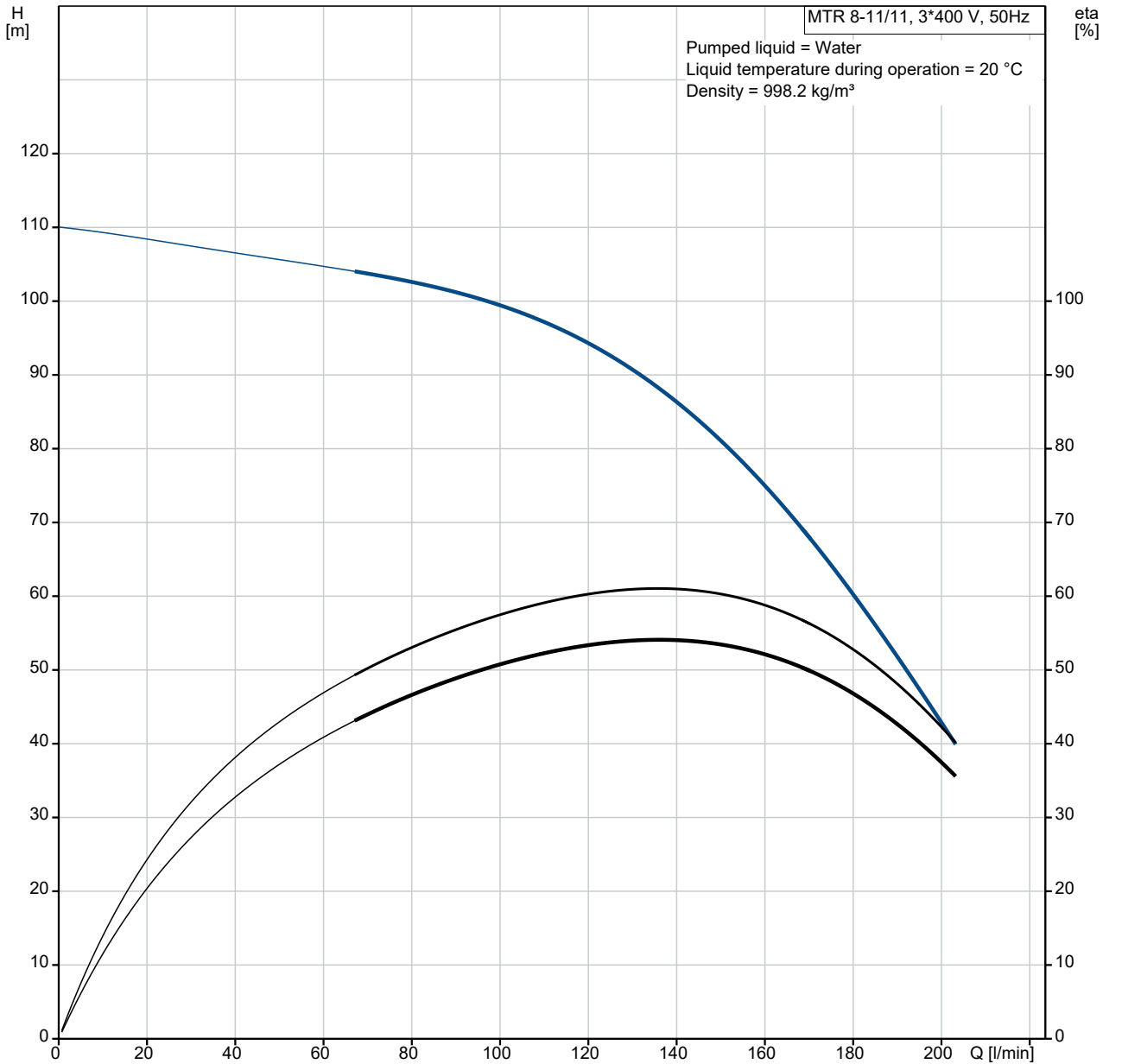


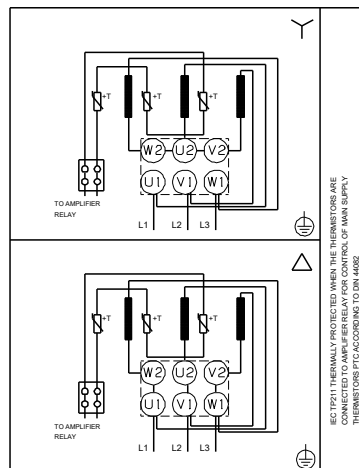
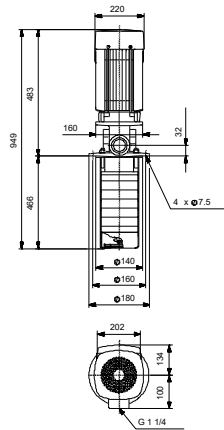
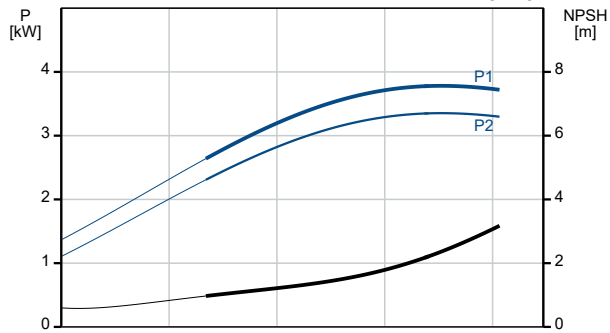
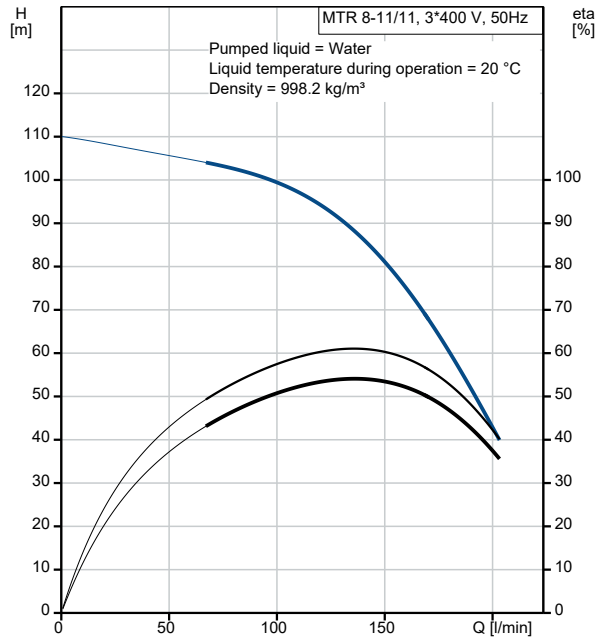
Qty.	Description
1	<p data-bbox="199 159 502 188">MTR 8-11/11 A-W-A-HUUV</p>  <p data-bbox="199 483 478 512">Product No.: On request</p> <p data-bbox="199 544 1430 622">Multistage, immersible, self-priming, centrifugal pump for vertical installation in tanks etc. The pump head and base are in cast iron – all other wetted parts are in stainless steel. The pump has the following characteristics:</p> <ul data-bbox="240 631 1117 745" style="list-style-type: none"> • Dimensions according to DIN 5440. • Impellers, intermediate chambers and spline shaft are made of Stainless steel. • Mechanical shaft seal according to EN 12756. • Power transmission via sintered metal split coupling. <p data-bbox="199 750 1430 801">A cartridge shaft seal ensures high reliability, safe handling, and easy access and service. The pump is fitted with a 3-phase, fan-cooled asynchronous motor.</p> <p data-bbox="199 837 300 866">Controls:</p> <p data-bbox="199 869 636 898">Frequency converter: NONE</p> <p data-bbox="199 927 276 956">Liquid:</p> <p data-bbox="199 958 632 987">Pumped liquid: Water</p> <p data-bbox="199 990 691 1019">Liquid temperature range: -10 .. 90 °C</p> <p data-bbox="199 1021 632 1050">Selected liquid temperature: 20 °C</p> <p data-bbox="199 1052 695 1081">Density: 998.2 kg/m³</p> <p data-bbox="199 1111 316 1140">Technical:</p> <p data-bbox="199 1142 818 1171">Pump speed on which pump data are based: 2930 rpm</p> <p data-bbox="199 1173 667 1202">Rated flow: 133 l/min</p> <p data-bbox="199 1205 641 1234">Rated head: 91.1 m</p> <p data-bbox="199 1236 592 1265">Chambers: 11</p> <p data-bbox="199 1267 584 1296">Drainage back to tank: N</p> <p data-bbox="199 1299 647 1328">Pump orientation: Vertical</p> <p data-bbox="199 1330 636 1359">Code for shaft seal: HUUV</p> <p data-bbox="199 1361 659 1391">Approvals: CE,EAC</p> <p data-bbox="199 1393 759 1422">Curve tolerance: ISO9906:2012 3B</p> <p data-bbox="199 1451 309 1480">Materials:</p> <p data-bbox="199 1482 802 1561">Pump head: Cast iron EN 1561 EN-GJL-200 ASTM A48-25B</p> <p data-bbox="199 1563 724 1641">Impeller: Stainless steel EN 1.4301 AISI 304</p> <p data-bbox="199 1671 325 1700">Installation:</p> <p data-bbox="199 1702 628 1731">t max amb: 60 °C</p> <p data-bbox="199 1733 636 1762">Maximum operating pressure: 25 bar</p> <p data-bbox="199 1765 718 1794">Max pressure at stated temp: 25 bar / 90 °C</p> <p data-bbox="199 1796 748 1825">Type of connection: G internal thread</p> <p data-bbox="199 1827 673 1856">Size of outlet connection: 1 1/4 inch</p> <p data-bbox="199 1859 655 1888">Immersion depth: 466 mm</p> <p data-bbox="199 1890 638 1919">Flange size for motor: FT130</p> <p data-bbox="199 1948 363 1977">Electrical data:</p> <p data-bbox="199 1980 608 2009">Motor standard: IEC</p> <p data-bbox="199 2011 644 2040">Motor type: 112MC</p> <p data-bbox="199 2042 604 2072">IE Efficiency class: IE3</p> <p data-bbox="199 2074 622 2103">Rated power - P2: 4 kW</p>

Qty.	Description
1	<p> Mains frequency: 50 Hz Suitable for 50/60 Hz: N Rated voltage: 3 x 380-415D V Rated current: 7.9 A Starting current: 1000-1110 % Cos phi - power factor: 0.87-0.87 Rated speed: 2920-2940 rpm Efficiency: IE3 88,1% Motor efficiency at full load: 88.1 % Motor efficiency at 3/4 load: 88.6 % Motor efficiency at 1/2 load: 85.2 % Number of poles: 2 Enclosure class (IEC 34-5): 55 Dust/Jetting Insulation class (IEC 85): F Motor No: 85U15413 Others: Terminal box position: 6 Minimum efficiency index, MEI ≥: 0.70 Net weight: 48.6 kg Gross weight: 52.6 kg Shipping volume: 0.097 m³ Danish VVS No.: 386965011 Country of origin: HU Custom tariff no.: 84137075 </p>

On request MTR 8-11/11 A-W-A-HUUV 50 Hz

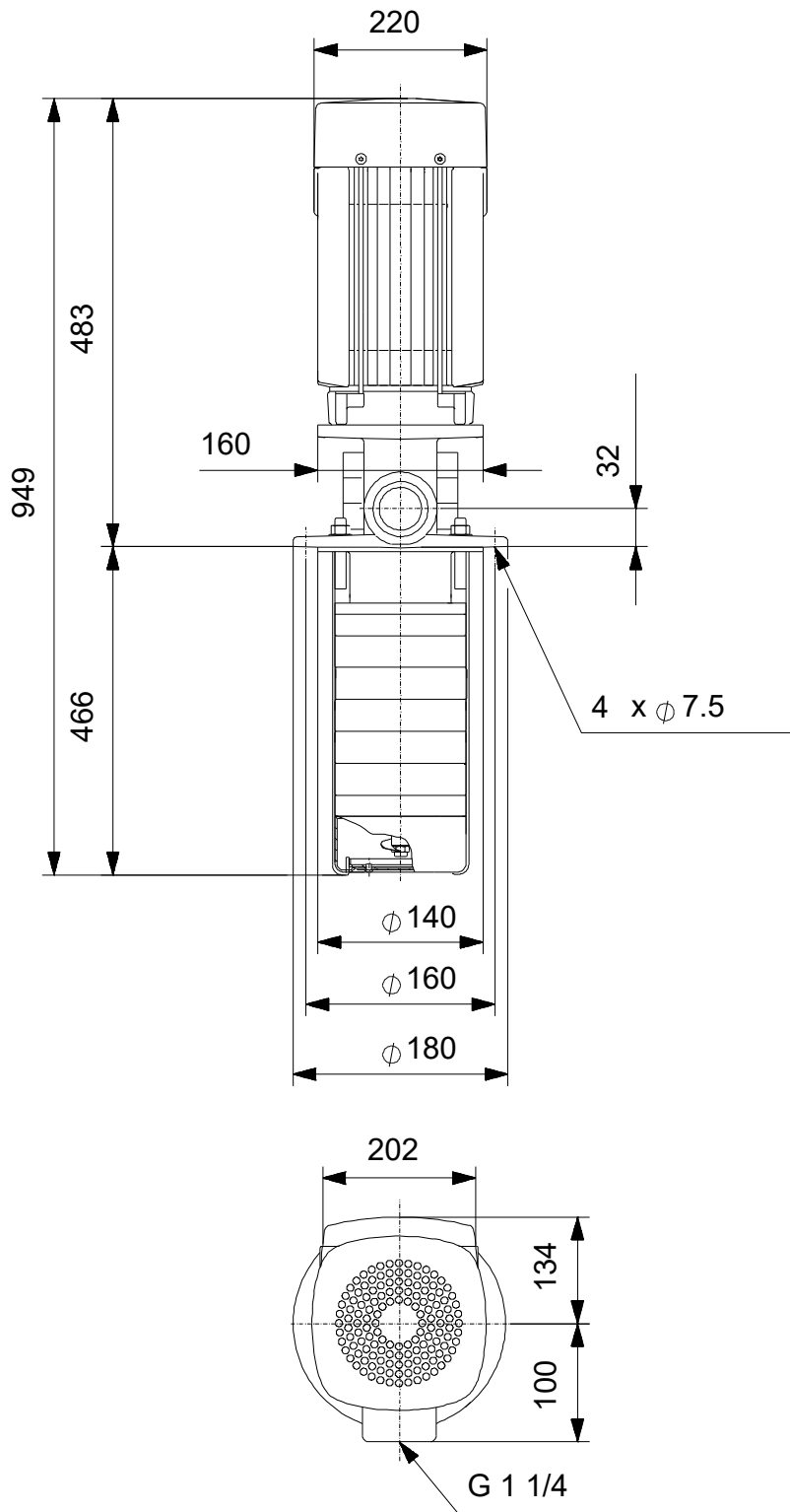


Description	Value
General information:	
Product name:	MTR 8-11/11 A-W-A-HUUV
Product No:	On request
EAN number:	On request
Technical:	
Pump speed on which pump data are based:	2930 rpm
Rated flow:	133 l/min
Rated head:	91.1 m
Chambers:	11
Impellers:	11
Number of reduced-diameter impellers:	0
Drainage back to tank:	N
Pump orientation:	Vertical
Code for shaft seal:	HUUV
Approvals:	CE,EAC
Curve tolerance:	ISO9906:2012 3B
Pump version:	A
Model:	A
Materials:	
Pump head:	Cast iron
Pump head:	EN 1561 EN-GJL-200
Pump head:	ASTM A48-25B
Impeller:	Stainless steel
Impeller:	EN 1.4301
Impeller:	AISI 304
Material code:	A
Installation:	
t max amb:	60 °C
Maximum operating pressure:	25 bar
Max pressure at stated temp:	25 bar / 90 °C
Type of connection:	G internal thread
Size of outlet connection:	1 1/4 inch
Immersion depth:	466 mm
Flange size for motor:	FT130
Connect code:	W </td
Liquid:	
Pumped liquid:	Water
Liquid temperature range:	-10 .. 90 °C
Selected liquid temperature:	20 °C
Density:	998.2 kg/m ³
Electrical data:	
Motor standard:	IEC
Motor type:	112MC
IE Efficiency class:	IE3
Rated power - P2:	4 kW
Mains frequency:	50 Hz
Suitable for 50/60 Hz:	N
Rated voltage:	3 x 380-415D V
Rated current:	7.9 A
Starting current:	1000-1110 %
Cos phi - power factor:	0.87-0.87
Rated speed:	2920-2940 rpm
Efficiency:	IE3 88,1%
Motor efficiency at full load:	88.1 %
Motor efficiency at 3/4 load:	88.6 %
Motor efficiency at 1/2 load:	85.2 %
Number of poles:	2
Enclosure class (IEC 34-5):	55 Dust/Jetting
Insulation class (IEC 85):	F
Built-in motor protection:	PTC
Motor No:	85U15413
Controls:	



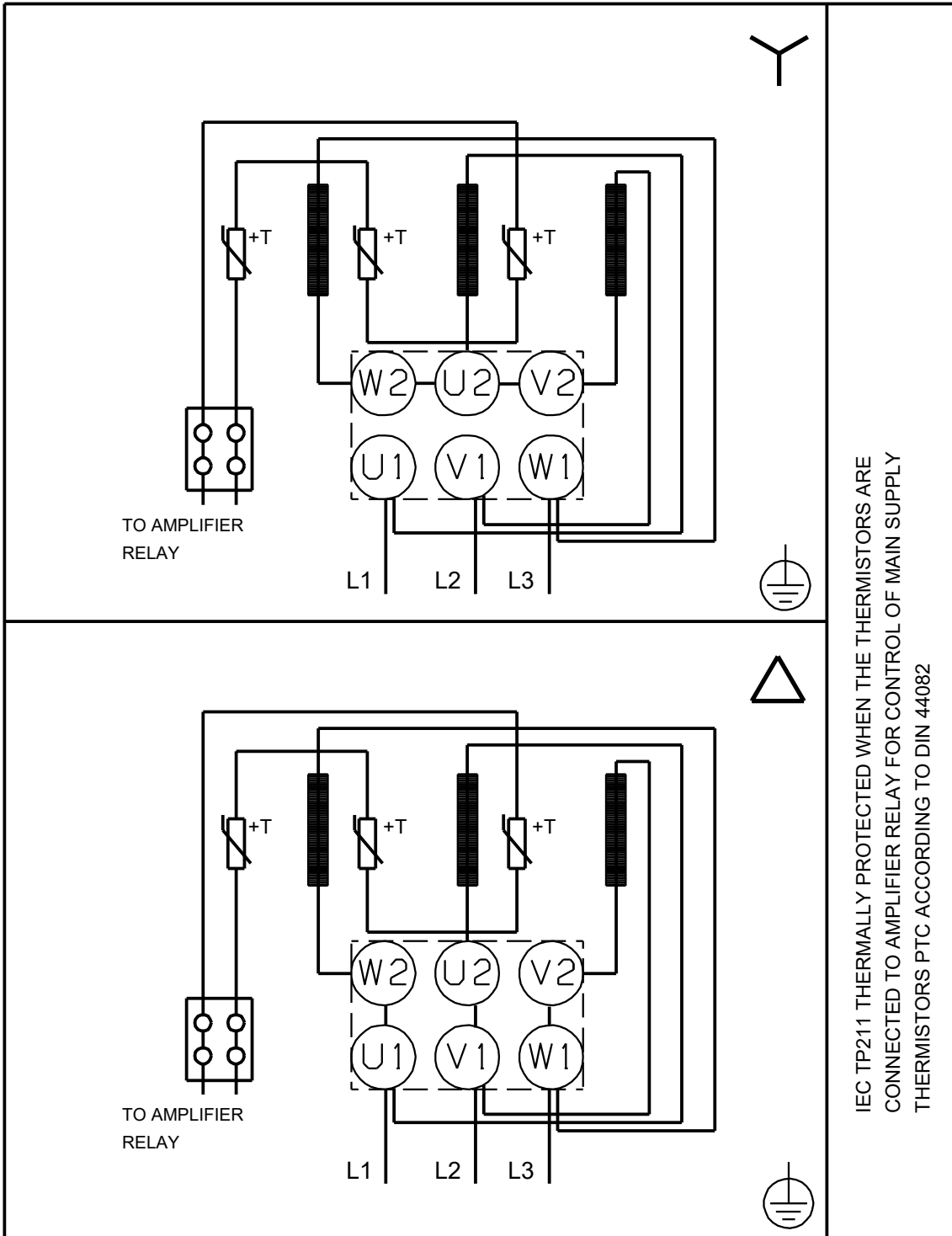
Description	Value
Frequency converter:	NONE
Others:	
Terminal box position:	6
Minimum efficiency index, MEI ≥:	0.70
Net weight:	48.6 kg
Gross weight:	52.6 kg
Shipping volume:	0.097 m ³
Danish VVS No.:	386965011
Country of origin:	HU
Custom tariff no.:	84137075

On request MTR 8-11/11 A-W-A-HUUV 50 Hz



Note! All units are in [mm] unless others are stated.
Disclaimer: This simplified dimensional drawing does not show all details.

On request MTR 8-11/11 A-W-A-HUUV 50 Hz



IEC TP211 THERMALLY PROTECTED WHEN THE THERMISTORS ARE
CONNECTED TO AMPLIFIER RELAY FOR CONTROL OF MAIN SUPPLY
THERMISTORS PTC ACCORDING TO DIN 44082

Note! All units are in [mm] unless others are stated.

