

**Qty. Description**

1 **NK 100-160/160-140 BA2F2AESBQQEIW3**



**Note! Product picture may differ from actual product**

Product No.: [98973421](#)

Non-self-priming, single-stage, centrifugal pump designed according to ISO 5199 with dimensions and rated performance according to EN 733. Flanges are PN 16 with dimensions according to EN 1092-2. The pump has an axial suction port, a radial discharge port and horizontal shaft. It is of the back pull-out design enabling removal of the coupling, bearing bracket and impeller without disturbing the motor, pump housing or pipework.

The unbalanced rubber bellows seal is according to DIN EN 12756.

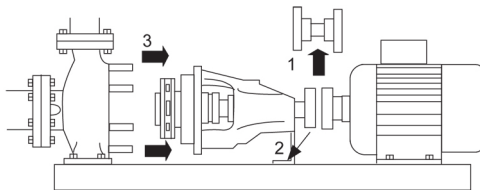
The pump is fitted with a foot-mounted, fan-cooled asynchronous motor. Pump and motor are mounted on a common base frame.

Pump and motor are mounted on a common steel base frame in accordance with ISO 3661.

The back pull-out design together with a spacer coupling makes it possible to service the pump without dismantling the pump housing and motor from the base frame.

This saves realignment of pump and motor after service.

- 1) Remove coupling.
- 2) Remove the bolts in the bearing bracket support foot.
- 3) Remove the bearing bracket from the pump housing.



**Pump**

The pump is fitted with an unbalanced rubber bellows seal with torque transmission across the spring and around the bellows. Due to the bellows, the seal does not wear the shaft, and the axial movement is not prevented by deposits on the shaft.

{IMG Filename: GRALON\_NB-NK-G\_SHAFTSEAL\_Bxxx.gif }

Seal faces:

- Rotating seal ring material: silicon carbide (SiC)
- Stationary seat material: silicon carbide (SiC)

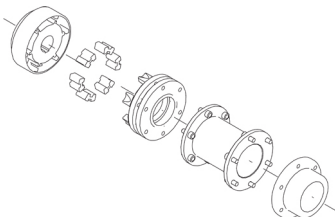
This material pairing is used where higher corrosion resistance is required. The high hardness of this material pairing offers good resistance against abrasive particles.

Secondary seal material: EPDM (ethylene-propylene rubber)

EPDM has excellent resistance to hot water. EPDM is not suitable for mineral oils.

The shaft is made of stainless steel and has a diameter of 24 mm where the coupling is mounted.

The pump uses a spacer coupling between the pump and motor shaft.



**Motor**

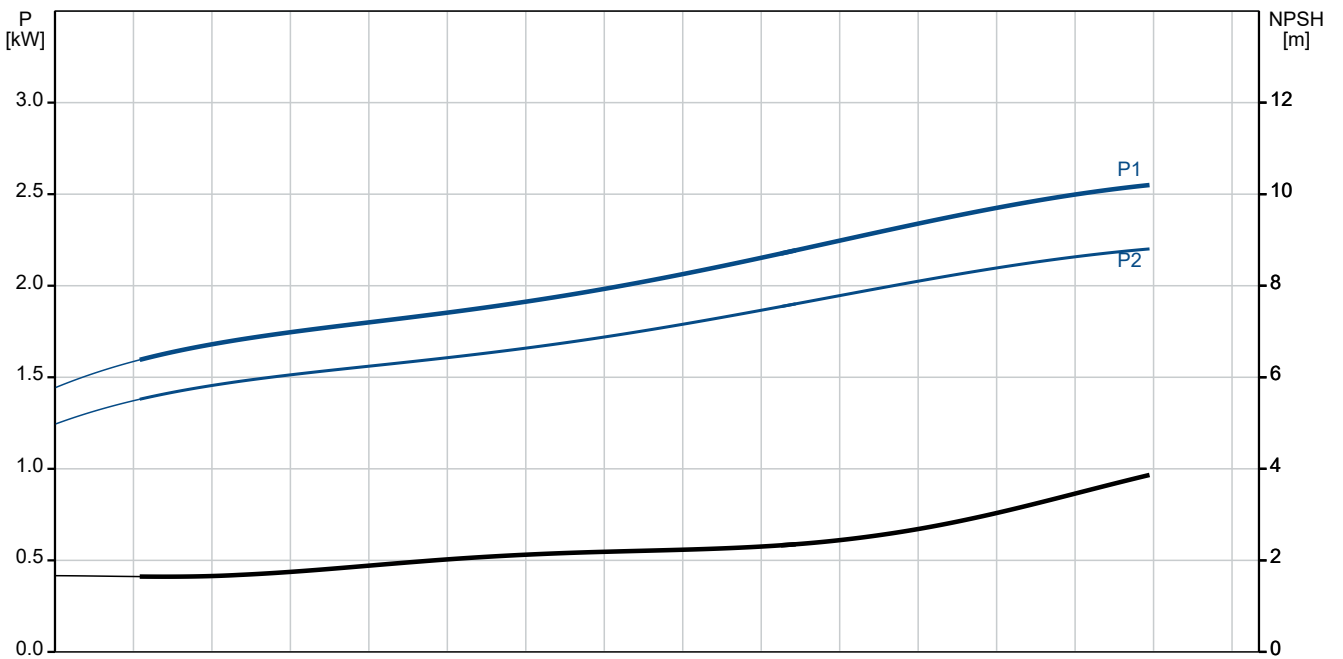
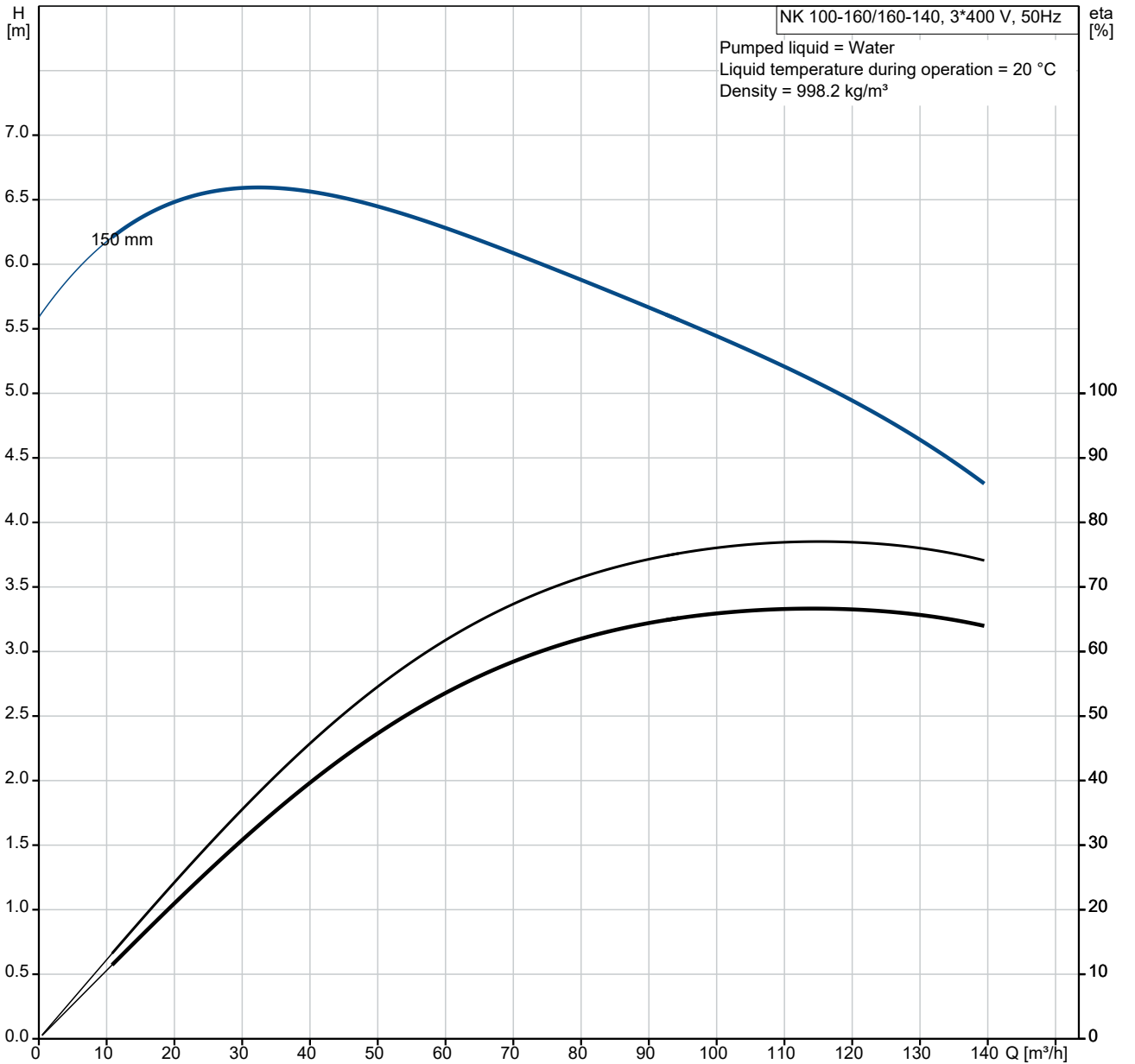
The motor is a totally enclosed, fan-cooled motor with principal dimensions to IEC and DIN standards. Electrical tolerances comply with IEC 60034.

The motor efficiency is classified as IE3 in accordance with IEC 60034-30-1.

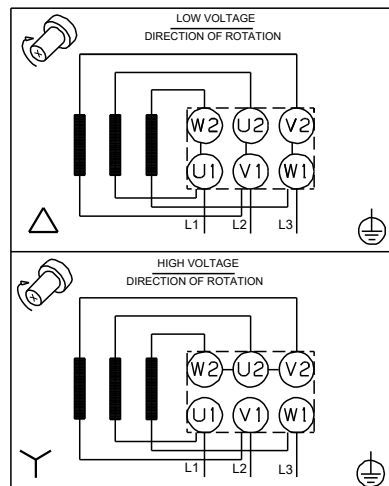
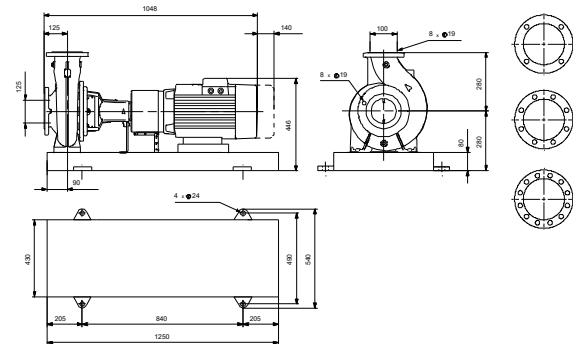
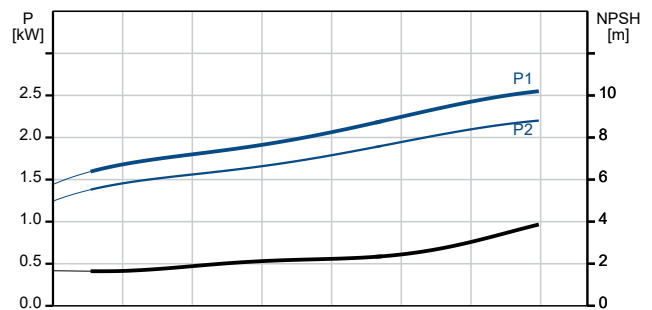
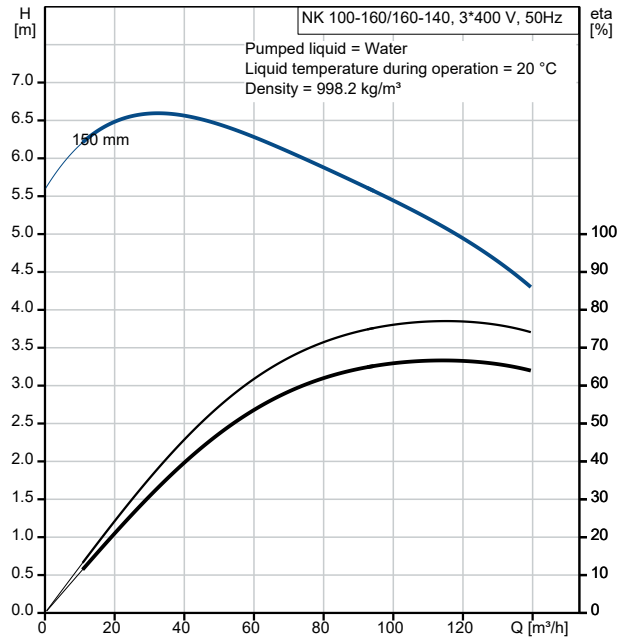
Qty.	Description
1	<p>The motor does not incorporate motor protection and must be connected to a motor-protective circuit breaker which can be manually reset. The motor-protective circuit breaker must be set according to the rated current of the motor (I1/1).</p> <p>The motor can be connected to a variable speed drive for adjustment of pump performance to any duty point. Grundfos CUE offers a range of variable speed drives. Please find more information in Grundfos Product Center.</p> <p><b>Further product details</b></p> <p>Cast-iron parts have an epoxy-based coating made in a cathodic electro-deposition (CED) process. CED is a high-quality dip-painting process where an electrical field around the products ensures deposition of paint particles as a thin, well-controlled layer on the surface.</p> <p><b>Technical data</b></p> <p>Controls:</p> <p>Frequency converter:               NONE  Pressure sensor:                    N</p> <p>Liquid:</p> <p>Pumped liquid:                    Water  Liquid temperature range:       -25 .. 120 °C  Selected liquid temperature:     20 °C  Density:                              998.2 kg/m<sup>3</sup></p> <p>Technical:</p> <p>Pump speed on which pump data are based:   1465 rpm  Rated flow:                          115.2 m<sup>3</sup>/h  Pump with motor (Yes/No):       Y  Rated head:                         5.002 m  Actual impeller diameter:        150 mm  Nominal impeller diameter:      160  Code for shaft seal:              BQQE  Mechanical seal type:            Single  Curve tolerance:                  ISO9906:2012 3B2  Bearing design:                    Standard</p> <p>Materials:</p> <p>Pump housing:                      Cast iron    EN-GJL-250    ASTM class 35</p> <p>Wear ring:                         Brass</p> <p>Impeller:                          Cast iron    EN-GJL-200    ASTM class 30</p> <p>Internal pump house coating:   CED</p> <p>Shaft:                              Stainless steel    EN 1.4301    AISI 304</p> <p>Installation:</p> <p>t max amb:                         55 °C  Maximum operating pressure:    16 bar  Pipe connection standard:       EN 1092-2  Type of inlet connection:        DIN  Type of outlet connection:       DIN  Size of inlet connection:         DN 125  Size of outlet connection:        DN 100  Pressure rating for connection:  PN 16  Coupling type:                    Flexible w/spacer  Base frame design:                EN/ISO  Code for base frame:              6  Grouting (Yes/No):               N</p> <p>Electrical data:</p>

Qty.	Description																																																		
1	<table border="0"> <tr> <td>Motor type:</td> <td>SIEMENS</td> </tr> <tr> <td>IE Efficiency class:</td> <td>IE3</td> </tr> <tr> <td>Rated power - P2:</td> <td>2.2 kW</td> </tr> <tr> <td>Mains frequency:</td> <td>50 Hz</td> </tr> <tr> <td>Rated voltage:</td> <td>3 x 220-240D/380-420Y V</td> </tr> <tr> <td>Rated current:</td> <td>7.7/4.4 A</td> </tr> <tr> <td>Starting current:</td> <td>840-840 %</td> </tr> <tr> <td>Cos phi - power factor:</td> <td>0.83</td> </tr> <tr> <td>Rated speed:</td> <td>1465 rpm</td> </tr> <tr> <td>Efficiency:</td> <td>IE3 86,7%</td> </tr> <tr> <td>Motor efficiency at full load:</td> <td>86.7-86.7 %</td> </tr> <tr> <td>Motor efficiency at 3/4 load:</td> <td>87-87 %</td> </tr> <tr> <td>Motor efficiency at 1/2 load:</td> <td>85.9-85.9 %</td> </tr> <tr> <td>Number of poles:</td> <td>4</td> </tr> <tr> <td>Enclosure class (IEC 34-5):</td> <td>IP55</td> </tr> <tr> <td>Insulation class (IEC 85):</td> <td>F</td> </tr> <tr> <td>Motor No:</td> <td>98957752</td> </tr> <tr> <td>Bearing insulation type N-end:</td> <td>N</td> </tr> <tr> <td colspan="2">Others:</td> </tr> <tr> <td>Minimum efficiency index, MEI ≥:</td> <td>0.68</td> </tr> <tr> <td>Net weight:</td> <td>190 kg</td> </tr> <tr> <td>Gross weight:</td> <td>205 kg</td> </tr> <tr> <td>Shipping volume:</td> <td>0.554 m<sup>3</sup></td> </tr> <tr> <td>Country of origin:</td> <td>HU</td> </tr> <tr> <td>Custom tariff no.:</td> <td>84137059</td> </tr> </table>	Motor type:	SIEMENS	IE Efficiency class:	IE3	Rated power - P2:	2.2 kW	Mains frequency:	50 Hz	Rated voltage:	3 x 220-240D/380-420Y V	Rated current:	7.7/4.4 A	Starting current:	840-840 %	Cos phi - power factor:	0.83	Rated speed:	1465 rpm	Efficiency:	IE3 86,7%	Motor efficiency at full load:	86.7-86.7 %	Motor efficiency at 3/4 load:	87-87 %	Motor efficiency at 1/2 load:	85.9-85.9 %	Number of poles:	4	Enclosure class (IEC 34-5):	IP55	Insulation class (IEC 85):	F	Motor No:	98957752	Bearing insulation type N-end:	N	Others:		Minimum efficiency index, MEI ≥:	0.68	Net weight:	190 kg	Gross weight:	205 kg	Shipping volume:	0.554 m <sup>3</sup>	Country of origin:	HU	Custom tariff no.:	84137059
Motor type:	SIEMENS																																																		
IE Efficiency class:	IE3																																																		
Rated power - P2:	2.2 kW																																																		
Mains frequency:	50 Hz																																																		
Rated voltage:	3 x 220-240D/380-420Y V																																																		
Rated current:	7.7/4.4 A																																																		
Starting current:	840-840 %																																																		
Cos phi - power factor:	0.83																																																		
Rated speed:	1465 rpm																																																		
Efficiency:	IE3 86,7%																																																		
Motor efficiency at full load:	86.7-86.7 %																																																		
Motor efficiency at 3/4 load:	87-87 %																																																		
Motor efficiency at 1/2 load:	85.9-85.9 %																																																		
Number of poles:	4																																																		
Enclosure class (IEC 34-5):	IP55																																																		
Insulation class (IEC 85):	F																																																		
Motor No:	98957752																																																		
Bearing insulation type N-end:	N																																																		
Others:																																																			
Minimum efficiency index, MEI ≥:	0.68																																																		
Net weight:	190 kg																																																		
Gross weight:	205 kg																																																		
Shipping volume:	0.554 m <sup>3</sup>																																																		
Country of origin:	HU																																																		
Custom tariff no.:	84137059																																																		

# 98973421 NK 100-160/160-140 BA2F2AESBQQEIW3 50 Hz

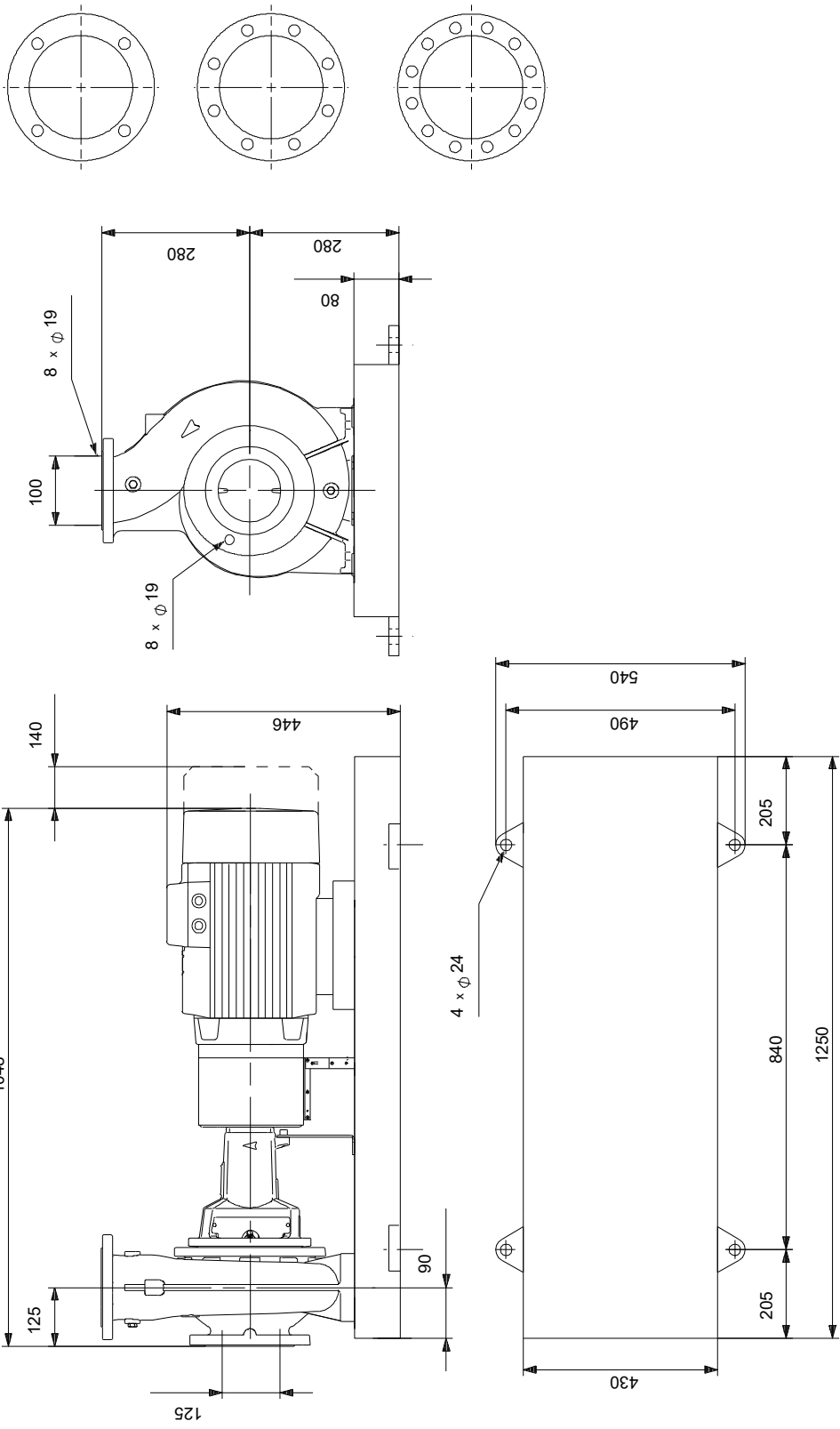


Description	Value
<b>General information:</b>	
Product name:	NK 100-160/160-140 BA2F2AESBQQEIW3
Product No:	98973421
EAN number:	5712604504802
<b>Technical:</b>	
Pump speed on which pump data are based:	1465 rpm
Rated flow:	115.2 m <sup>3</sup> /h
Pump with motor (Yes/No):	Y
Rated head:	5.002 m
Actual impeller diameter:	150 mm
Nominal impeller diameter:	160
Shaft diameter:	24 mm
Code for shaft seal:	BQQE
Mechanical seal type:	Single
Curve tolerance:	ISO9906:2012 3B2
Pump version:	A2
Bearing design:	Standard
<b>Materials:</b>	
Pump housing:	Cast iron
Pump housing:	EN-GJL-250
Pump housing:	ASTM class 35
Wear ring:	Brass
Impeller:	Cast iron
Impeller:	EN-GJL-200
Impeller:	ASTM class 30
Internal pump house coating:	CED
Material code:	A
Code for rubber:	E
Shaft:	Stainless steel
Shaft:	EN 1.4301
Shaft:	AISI 304
<b>Installation:</b>	
t max amb:	55 °C
Maximum operating pressure:	16 bar
Pipe connection standard:	EN 1092-2
Type of inlet connection:	DIN
Type of outlet connection:	DIN
Size of inlet connection:	DN 125
Size of outlet connection:	DN 100
Pressure rating for connection:	PN 16
Coupling type:	Flexible w/spacer
Base frame design:	EN/ISO
Code for base frame:	6
Grouting (Yes/No):	N
Connect code:	F
<b>Liquid:</b>	
Pumped liquid:	Water
Liquid temperature range:	-25 .. 120 °C
Selected liquid temperature:	20 °C
Density:	998.2 kg/m <sup>3</sup>
<b>Electrical data:</b>	
Motor type:	SIEMENS
IE Efficiency class:	IE3
Rated power - P2:	2.2 kW
Mains frequency:	50 Hz
Rated voltage:	3 x 220-240D/380-420Y V
Rated current:	7.7/4.4 A
Starting current:	840-840 %
Cos phi - power factor:	0.83
Rated speed:	1465 rpm
Efficiency:	IE3 86,7%
Motor efficiency at full load:	86.7-86.7 %

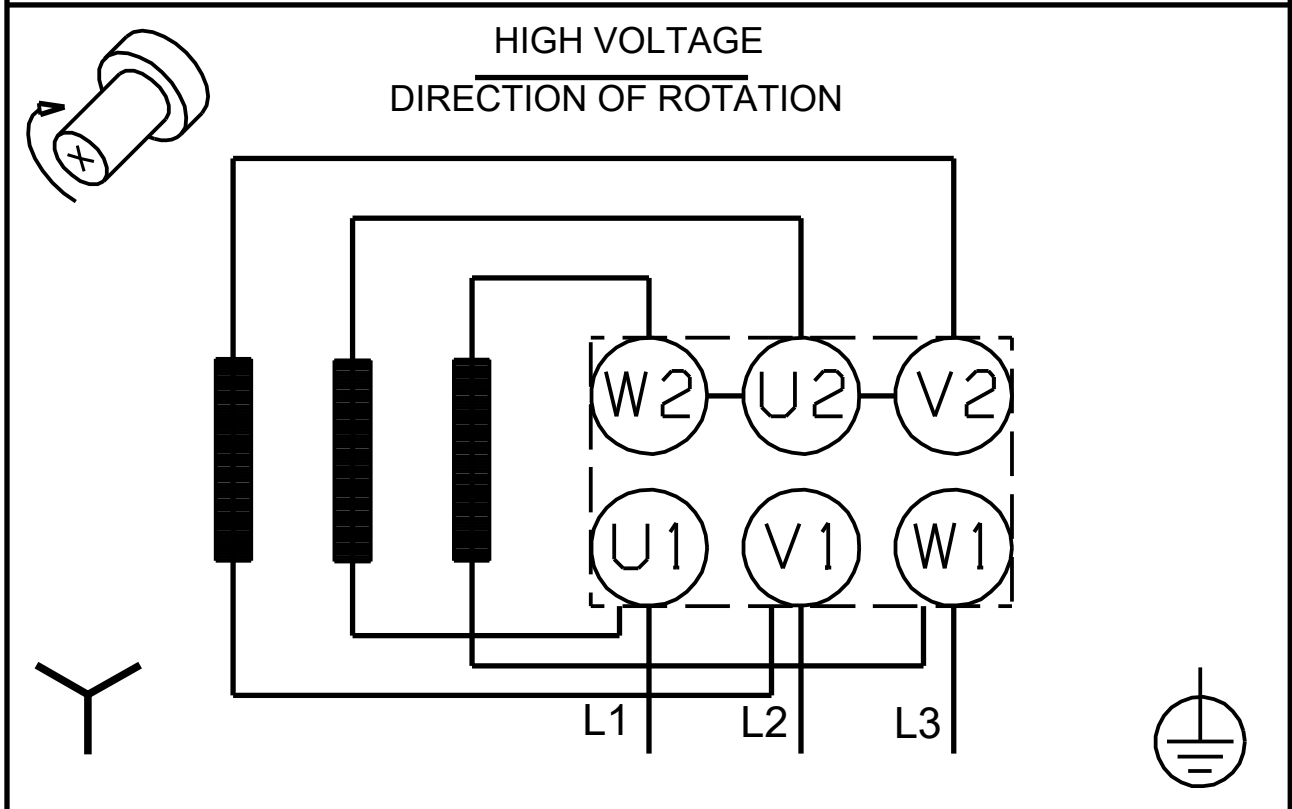
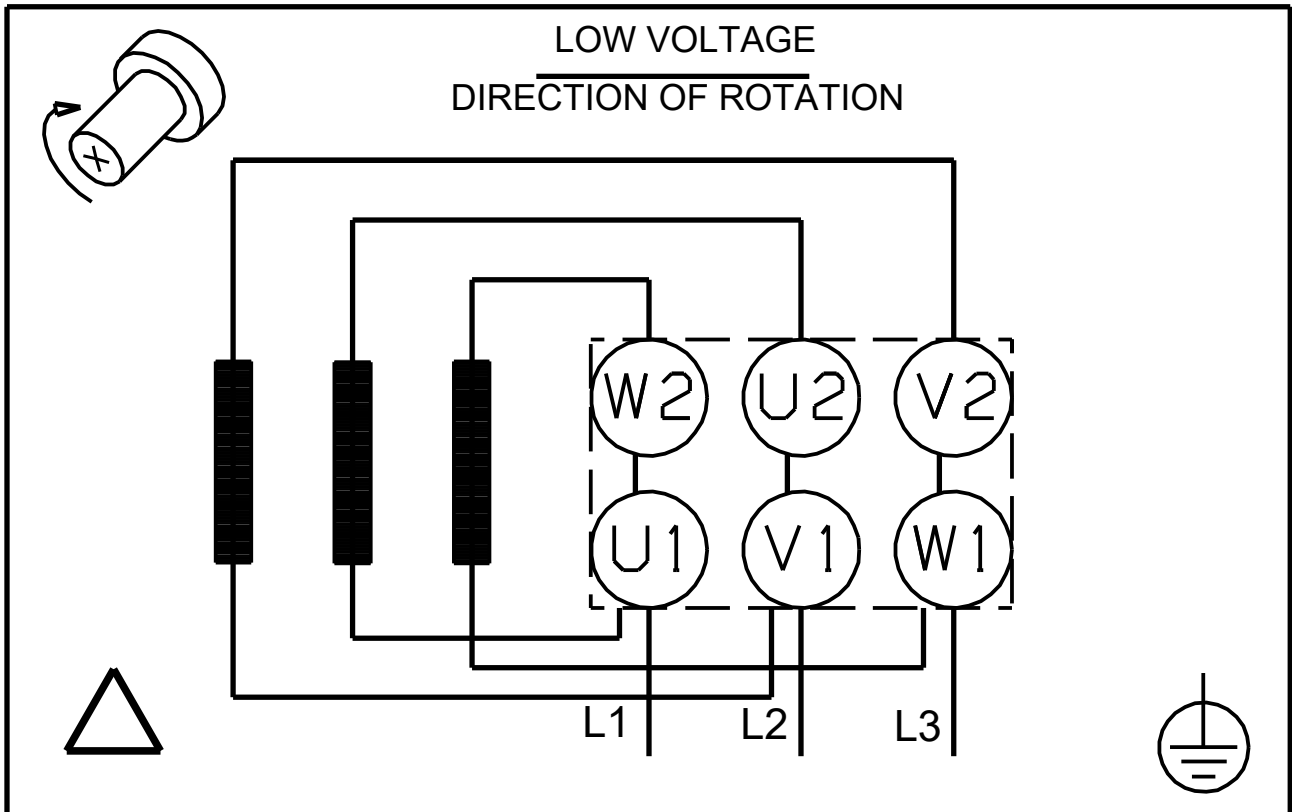


Description	Value
Motor efficiency at 3/4 load:	87-87 %
Motor efficiency at 1/2 load:	85.9-85.9 %
Number of poles:	4
Enclosure class (IEC 34-5):	IP55
Insulation class (IEC 85):	F
Built-in motor protection:	NONE
Motor No:	98957752
Bearing insulation type N-end:	N
<b>Controls:</b>	
Frequency converter:	NONE
Pressure sensor:	N
<b>Others:</b>	
Minimum efficiency index, MEI ≥:	0.68
Net weight:	190 kg
Gross weight:	205 kg
Shipping volume:	0.554 m <sup>3</sup>
Country of origin:	HU
Custom tariff no.:	84137059

# 98973421 NK 100-160/160-140 BA2F2AESBQQEIW3 50 Hz



Note! All units are in [mm] unless others are stated.  
 Disclaimer: This simplified dimensional drawing does not show all details.



Note! All units are in [mm] unless others are stated.



