
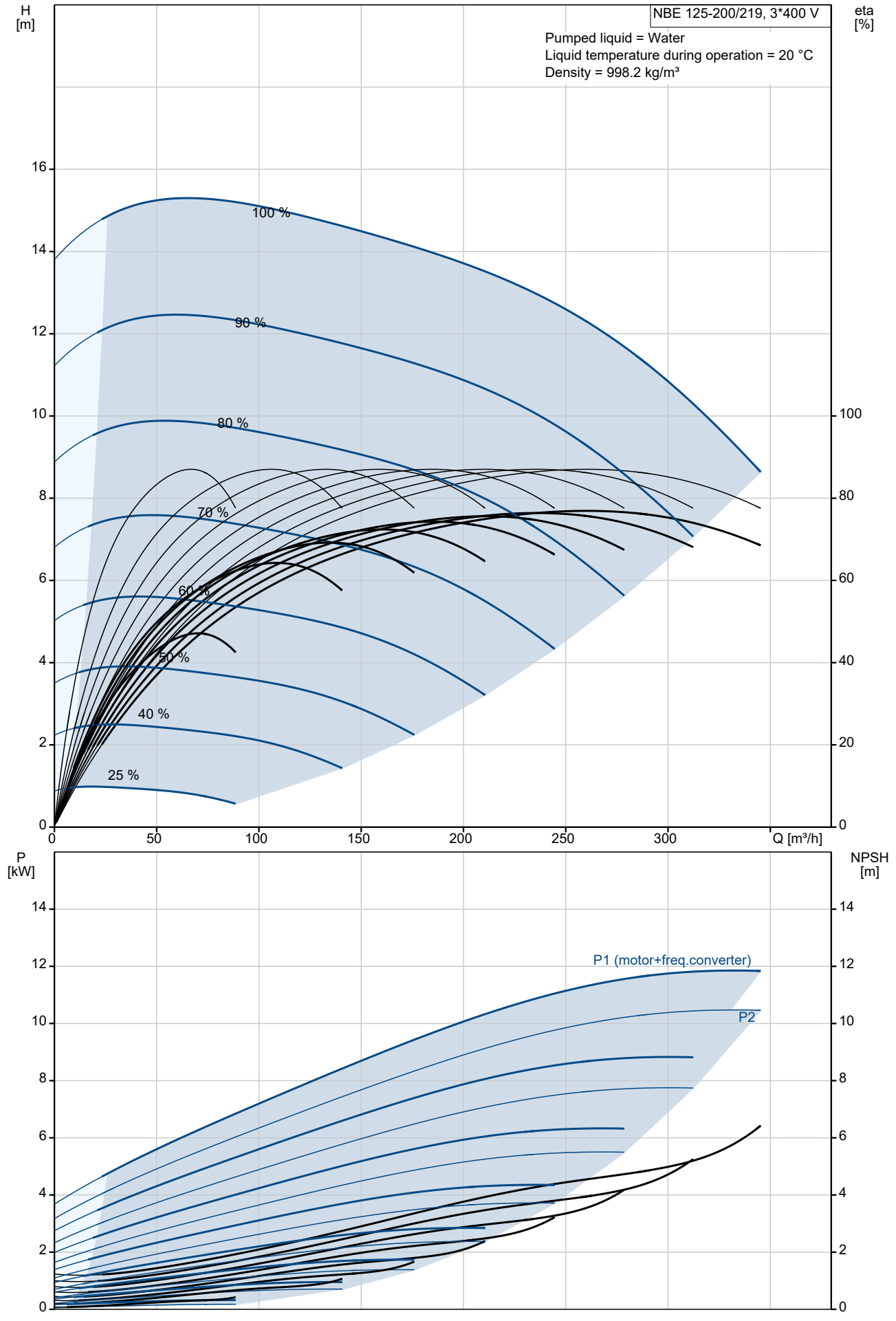


Qty.	Description
1	NBE 125-200/219 BASF2AESBQQENW3
	
	<p style="text-align: center;">Note! Product picture may differ from actual product</p>
	<p>Product No.: 98976193</p>
	<p>Non-self-priming, single-stage, centrifugal volute pump designed according to ISO 5199 with dimensions and rated performance according to EN 733 (10 bar).</p>
	<p>Flanges are PN 16 with dimensions according to EN 1092-2. The pump has an axial suction port, radial discharge port, horizontal shaft and a back pull-out design enabling removal of the motor, motor stool, cover and impeller without disturbing the pump housing or pipework.</p>
	<p>The unbalanced rubber bellows seal is according to DIN EN 12756.</p>
	<p>The pump is close-coupled to a fan-cooled asynchronous motor.</p>
	<p>The motor includes a frequency converter and PI controller in the motor terminal box. This enables continuously variable control of the motor speed, which again enables adaptation of the performance to a given requirement.</p>
	<p>Controls:</p>
	<p>Frequency converter: Built-in</p>
	<p>Pressure sensor: N</p>
	<p>Liquid:</p>
	<p>Pumped liquid: Water</p>
	<p>Liquid temperature range: -25 .. 120 °C</p>
	<p>Selected liquid temperature: 20 °C</p>
	<p>Density: 998.2 kg/m³</p>
	<p>Technical:</p>
	<p>Pump speed on which pump data are based: 1460 rpm</p>
	<p>Rated flow: 257.8 m³/h</p>
	<p>Rated head: 12.06 m</p>
	<p>Actual impeller diameter: 219 mm</p>
	<p>Nominal impeller diameter: 200</p>
	<p>Shaft seal arrangement: Single</p>
	<p>Code for shaft seal: BQQE</p>
	<p>Curve tolerance: ISO9906:2012 3B</p>
	<p>Bearing design: Standard</p>
	<p>Materials:</p>
	<p>Pump housing: Cast iron EN-GJL-250 ASTM class 35</p>
	<p>Wear ring: Brass</p>
	<p>Impeller: Cast iron EN-GJL-200 ASTM class 30</p>
	<p>Internal pump house coating: CED</p>
	<p>Shaft: Stainless steel EN 1.4301 AISI 304</p>
	<p>Installation:</p>
	<p>Range of ambient temperature: -20 .. 40 °C</p>
	<p>Maximum operating pressure: 16 bar</p>
	<p>Pipe connection standard: EN 1092-2</p>
	<p>Size of inlet connection: DN 150</p>
	<p>Size of outlet connection: DN 125</p>
	<p>Pressure rating for connection: PN 16</p>

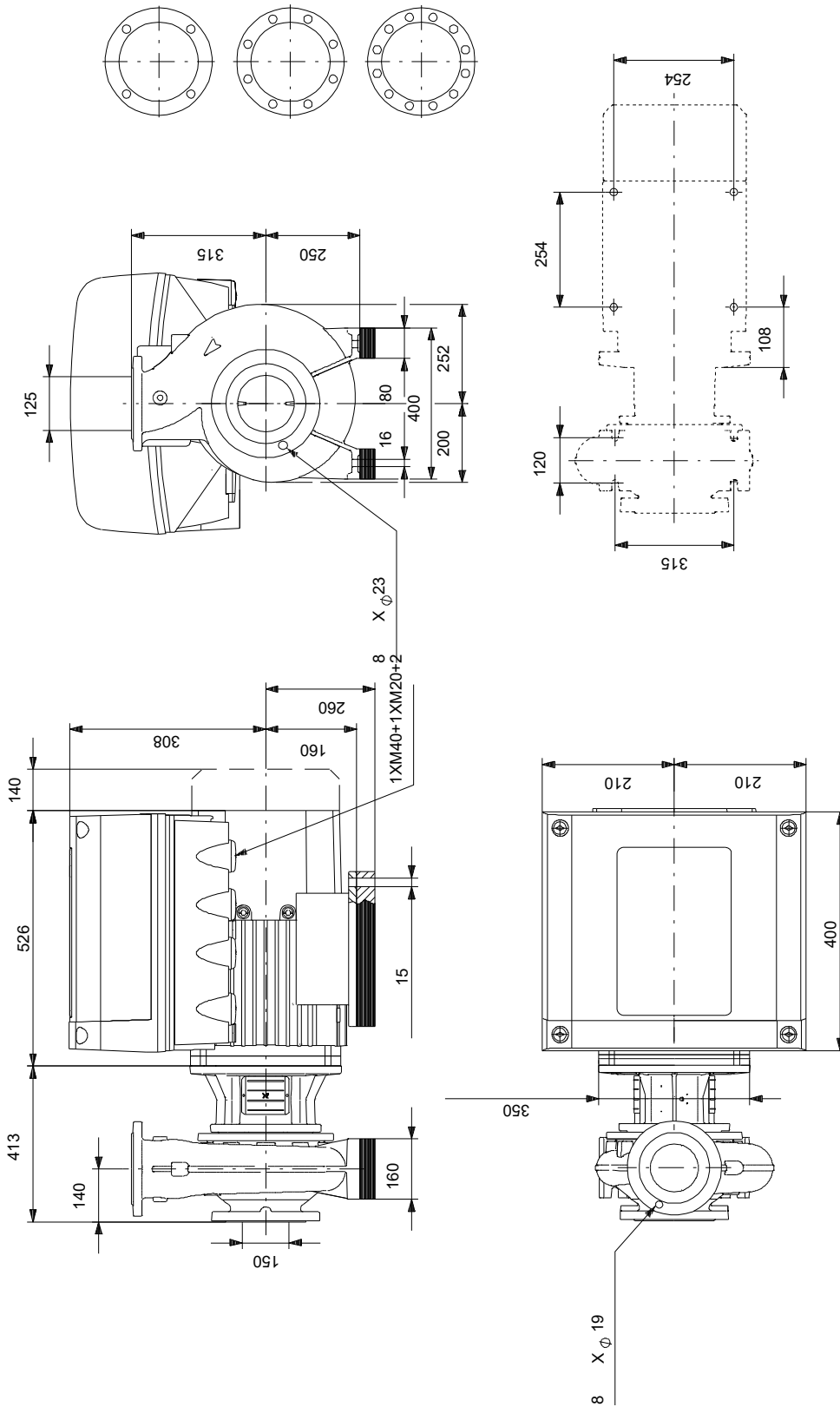
Qty.	Description																																																		
1	<table border="0"> <tr> <td>Bearing lubrication:</td> <td>Grease</td> </tr> <tr> <td>Pump housing with feet:</td> <td>Yes</td> </tr> <tr> <td>Support block (Yes/No):</td> <td>Y</td> </tr> <tr> <td colspan="2">Electrical data:</td> </tr> <tr> <td>IE Efficiency class:</td> <td>IE3</td> </tr> <tr> <td>Rated power - P2:</td> <td>11 kW</td> </tr> <tr> <td>Mains frequency:</td> <td>50 Hz</td> </tr> <tr> <td>Rated voltage:</td> <td>3 x 380-480 V</td> </tr> <tr> <td>Rated current:</td> <td>22.0-17.8 A</td> </tr> <tr> <td>Cos phi - power factor:</td> <td>0.91-0.90</td> </tr> <tr> <td>Rated speed:</td> <td>240-1750 rpm</td> </tr> <tr> <td>Efficiency:</td> <td>IE3 91,4%</td> </tr> <tr> <td>Motor efficiency at full load:</td> <td>91.4 %</td> </tr> <tr> <td>Number of poles:</td> <td>4</td> </tr> <tr> <td>Enclosure class (IEC 34-5):</td> <td>IP55</td> </tr> <tr> <td>Insulation class (IEC 85):</td> <td>F</td> </tr> <tr> <td>Motor No:</td> <td>86906207</td> </tr> <tr> <td colspan="2">Others:</td> </tr> <tr> <td>Minimum efficiency index, MEI ≥:</td> <td>0.70</td> </tr> <tr> <td>Net weight:</td> <td>264 kg</td> </tr> <tr> <td>Gross weight:</td> <td>296 kg</td> </tr> <tr> <td>Shipping volume:</td> <td>0.951 m³</td> </tr> <tr> <td>Danish VVS No.:</td> <td>386106203</td> </tr> <tr> <td>Country of origin:</td> <td>HU</td> </tr> <tr> <td>Custom tariff no.:</td> <td>84137051</td> </tr> </table>	Bearing lubrication:	Grease	Pump housing with feet:	Yes	Support block (Yes/No):	Y	Electrical data:		IE Efficiency class:	IE3	Rated power - P2:	11 kW	Mains frequency:	50 Hz	Rated voltage:	3 x 380-480 V	Rated current:	22.0-17.8 A	Cos phi - power factor:	0.91-0.90	Rated speed:	240-1750 rpm	Efficiency:	IE3 91,4%	Motor efficiency at full load:	91.4 %	Number of poles:	4	Enclosure class (IEC 34-5):	IP55	Insulation class (IEC 85):	F	Motor No:	86906207	Others:		Minimum efficiency index, MEI ≥:	0.70	Net weight:	264 kg	Gross weight:	296 kg	Shipping volume:	0.951 m ³	Danish VVS No.:	386106203	Country of origin:	HU	Custom tariff no.:	84137051
Bearing lubrication:	Grease																																																		
Pump housing with feet:	Yes																																																		
Support block (Yes/No):	Y																																																		
Electrical data:																																																			
IE Efficiency class:	IE3																																																		
Rated power - P2:	11 kW																																																		
Mains frequency:	50 Hz																																																		
Rated voltage:	3 x 380-480 V																																																		
Rated current:	22.0-17.8 A																																																		
Cos phi - power factor:	0.91-0.90																																																		
Rated speed:	240-1750 rpm																																																		
Efficiency:	IE3 91,4%																																																		
Motor efficiency at full load:	91.4 %																																																		
Number of poles:	4																																																		
Enclosure class (IEC 34-5):	IP55																																																		
Insulation class (IEC 85):	F																																																		
Motor No:	86906207																																																		
Others:																																																			
Minimum efficiency index, MEI ≥:	0.70																																																		
Net weight:	264 kg																																																		
Gross weight:	296 kg																																																		
Shipping volume:	0.951 m ³																																																		
Danish VVS No.:	386106203																																																		
Country of origin:	HU																																																		
Custom tariff no.:	84137051																																																		

98976193 NBE 125-200/219 BASF2AESBQQENW3 50 Hz



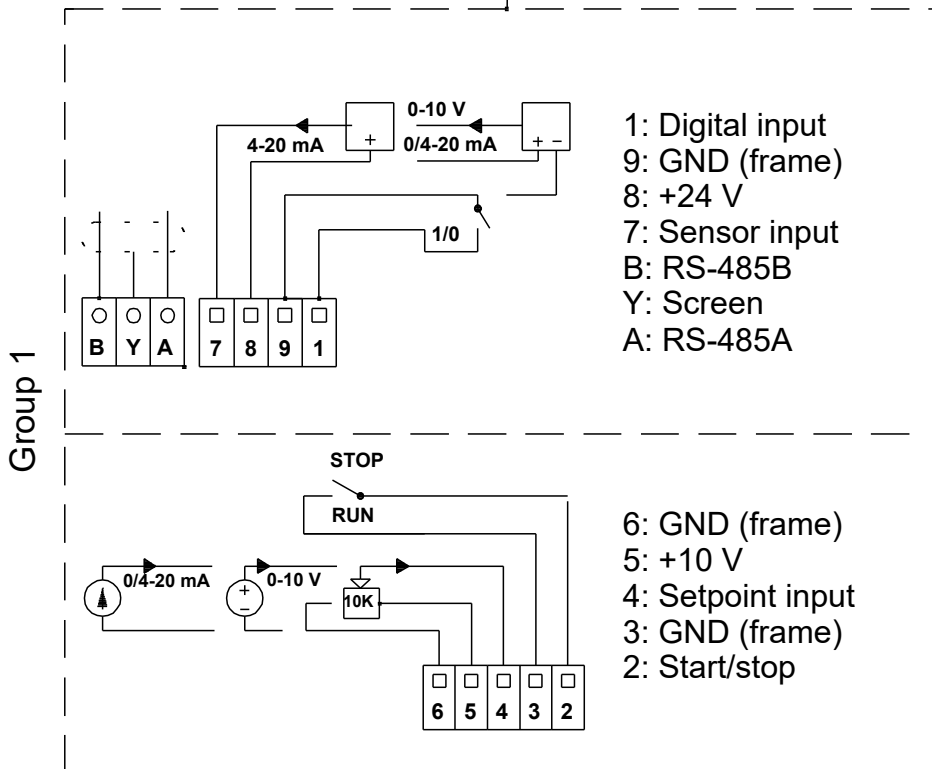
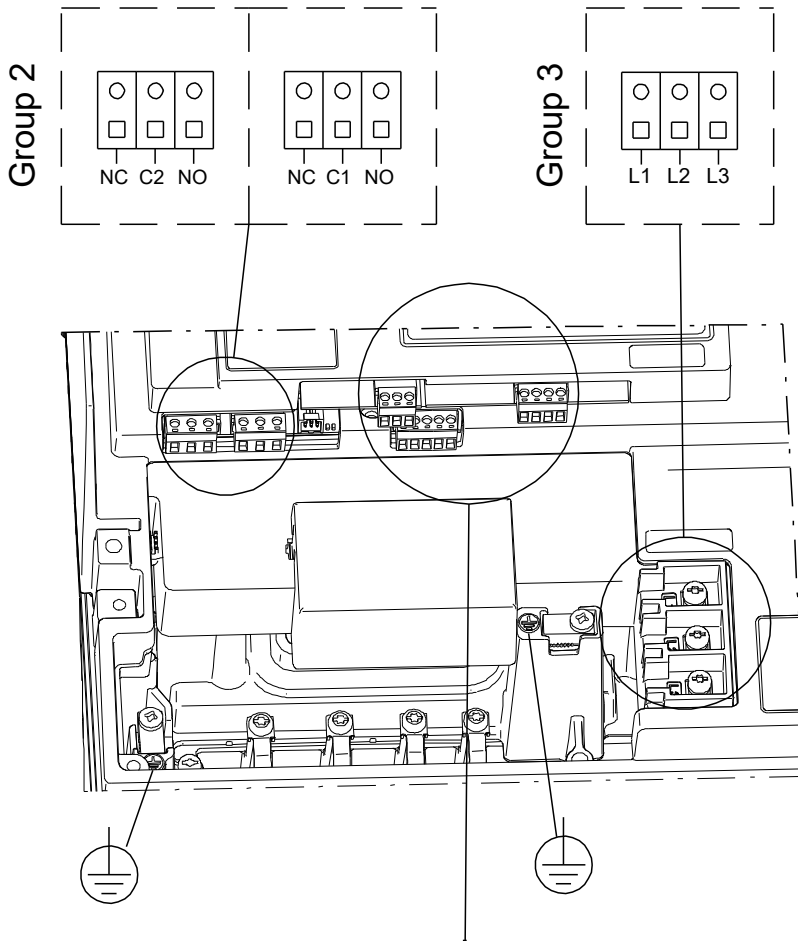
Description	Value
Controls:	
Control panel:	Standard
Function Module:	PUMP I/O
Frequency converter:	Built-in
Pressure sensor:	N
Others:	
Minimum efficiency index, MEI ≥:	0.70
Net weight:	264 kg
Gross weight:	296 kg
Shipping volume:	0.951 m ³
Danish VVS No.:	386106203
Country of origin:	HU
Custom tariff no.:	84137051

98976193 NBE 125-200/219 BASF2AESBQQENW3 50 Hz



Note! All units are in [mm] unless others are stated.
 Disclaimer: This simplified dimensional drawing does not show all details.

98976193 NBE 125-200/219 BASF2AESBQQENW3 50 Hz



Note! All units are in [mm] unless others are stated.

