
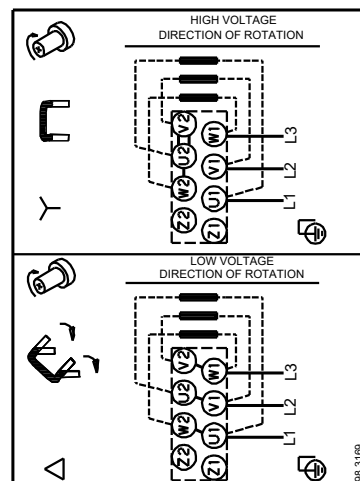
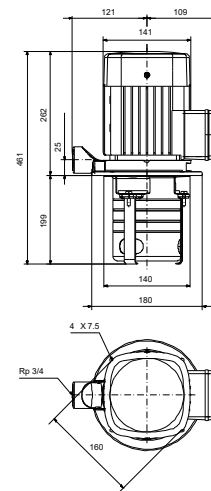
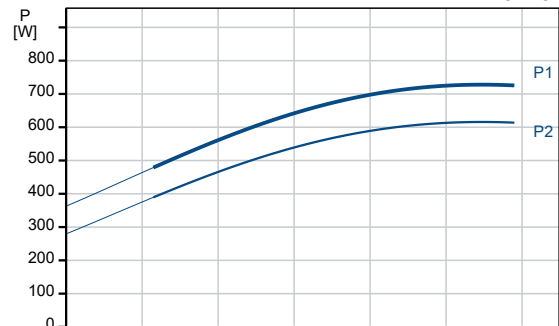
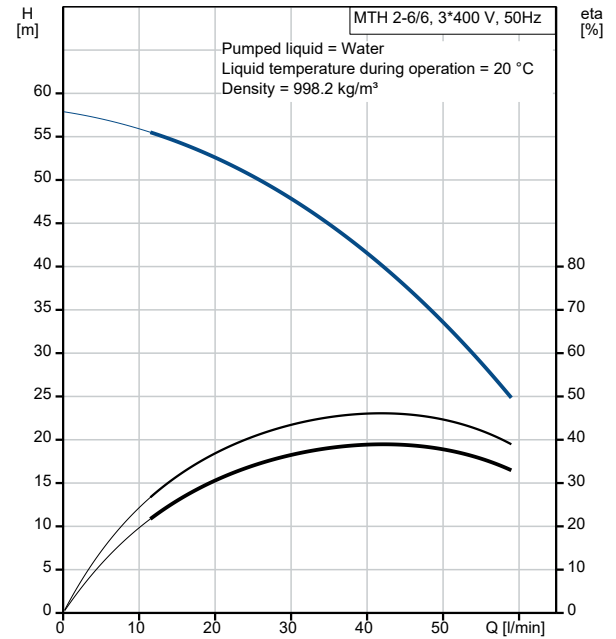


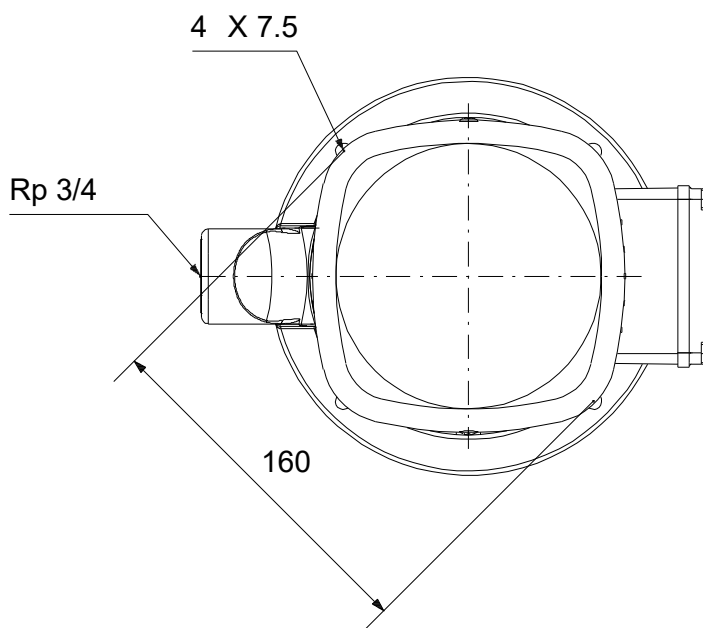
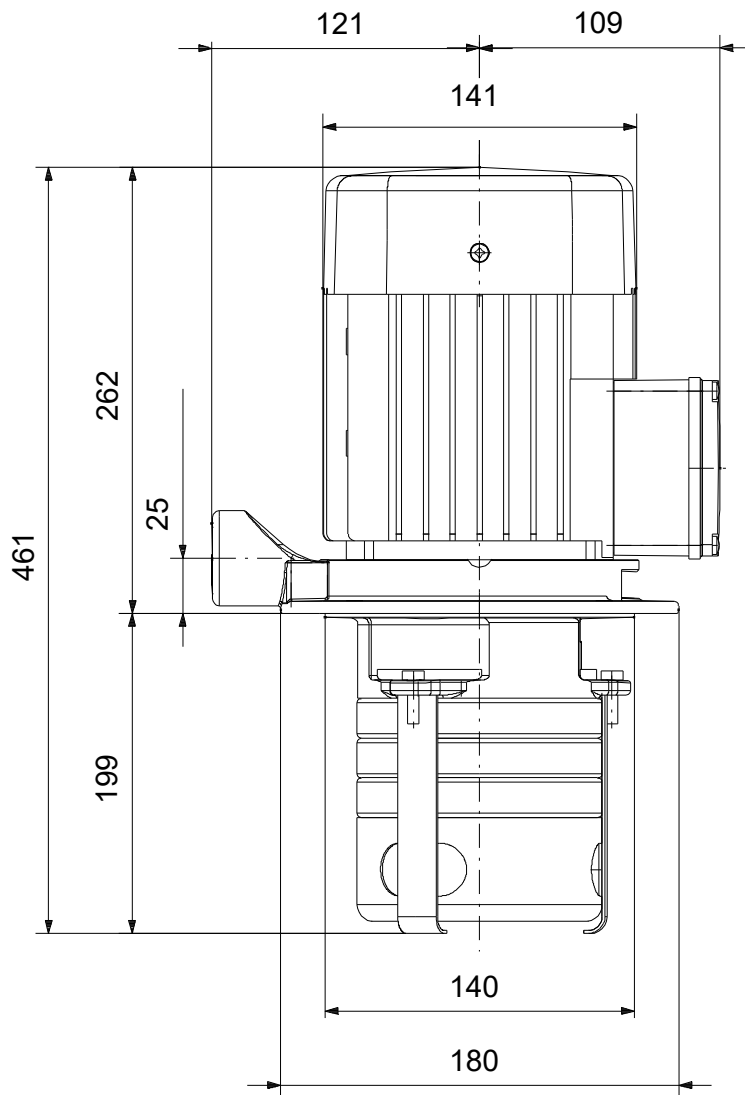
Qty.	Description
1	<b>MTH 2-6/6 A-W-A-AQQV</b>
	
	<p align="center"><b>Note! Product picture may differ from actual product</b></p>
	<p>Product No.: On request  Multistage, immersible, self-priming, centrifugal pump for vertical installation in tanks etc.</p>
	<p>The pump has the following characteristics:</p> <ul style="list-style-type: none"> <li>- Installation length according to DIN 5440.</li> <li>- Impellers, intermediate chambers and spline shaft are made of Stainless steel.</li> <li>- Mechanical shaft seal according to EN 12756.</li> </ul>
	<p>The pump is close-coupled with a 3-phase motor.</p>
	<p>Liquid:  Pumped liquid: Water  Liquid temperature range: -10 .. 90 °C  Selected liquid temperature: 20 °C  Density: 998.2 kg/m<sup>3</sup></p>
	<p>Technical:  Rated flow: 41.7 l/min  Rated head: 39.2 m  Chambers: 6  Code for shaft seal: AQQV  Curve tolerance: ISO9906:2012 3B</p>
	<p>Materials:  Pump housing: Cast iron  EN 1561 EN-GJL-200  ASTM A48-25B  Impeller: Stainless steel  EN 1.4301  AISI 304</p>
	<p>Installation:  Max. ambient: 60 °C  Maximum operating pressure: 10 bar  Max pressure at stated temp: 10 bar / 90 °C  Type of connection: Rp  Size of outlet connection: 3/4 inch  Immersion depth: 199 mm</p>
	<p>Electrical data:  Motor standard: IEC  Frame size: 80C  Multi plug: N  IE efficiency class: IE3  Rated power - P2: 1.1 kW  Mains frequency: 50 Hz  Suitable for 50/60 Hz: Y  Rated voltage: 3 x 220-240D/380-415Y V  Service factor: 1.30  Rated current: 4.35/2.55 A  Maximum current consumption: 5.75/3.3 A</p>

Qty.	Description																												
1	<table> <tr> <td>Starting current:</td> <td>450-500 %</td> </tr> <tr> <td>Rated speed:</td> <td>2855 rpm</td> </tr> <tr> <td>Efficiency:</td> <td>82.7 %</td> </tr> <tr> <td>Enclosure class (IEC 34-5):</td> <td>IP54</td> </tr> <tr> <td>Insulation class (IEC 85):</td> <td>F</td> </tr> <tr> <td>Built-in motor protection:</td> <td>NONE</td> </tr> <tr> <td colspan="2">Others:</td> </tr> <tr> <td>Terminal box position:</td> <td>6</td> </tr> <tr> <td>Minimum efficiency index, MEI ≥:</td> <td>0.70</td> </tr> <tr> <td>Net weight:</td> <td>15.5 kg</td> </tr> <tr> <td>Gross weight:</td> <td>16.6 kg</td> </tr> <tr> <td>Danish VVS No.:</td> <td>386951006</td> </tr> <tr> <td>Country of origin:</td> <td>HU</td> </tr> <tr> <td>Custom tariff no.:</td> <td>84137075</td> </tr> </table>	Starting current:	450-500 %	Rated speed:	2855 rpm	Efficiency:	82.7 %	Enclosure class (IEC 34-5):	IP54	Insulation class (IEC 85):	F	Built-in motor protection:	NONE	Others:		Terminal box position:	6	Minimum efficiency index, MEI ≥:	0.70	Net weight:	15.5 kg	Gross weight:	16.6 kg	Danish VVS No.:	386951006	Country of origin:	HU	Custom tariff no.:	84137075
Starting current:	450-500 %																												
Rated speed:	2855 rpm																												
Efficiency:	82.7 %																												
Enclosure class (IEC 34-5):	IP54																												
Insulation class (IEC 85):	F																												
Built-in motor protection:	NONE																												
Others:																													
Terminal box position:	6																												
Minimum efficiency index, MEI ≥:	0.70																												
Net weight:	15.5 kg																												
Gross weight:	16.6 kg																												
Danish VVS No.:	386951006																												
Country of origin:	HU																												
Custom tariff no.:	84137075																												

Description	Value
<b>General information:</b>	
Product name:	MTH 2-6/6 A-W-A-AQQV
Product No:	On request
EAN number:	On request
<b>Technical:</b>	
Rated flow:	41.7 l/min
Rated head:	39.2 m
Chambers:	6
Impellers:	6
Number of reduced-diameter impellers:	0
<b>Code for shaft seal:</b>	
Code for shaft seal:	AQQV
Curve tolerance:	ISO9906:2012 3B
Pump version:	A
Model:	A
<b>Materials:</b>	
Pump housing:	Cast iron
Pump housing:	EN 1561 EN-GJL-200
Pump housing:	ASTM A48-25B
Impeller:	Stainless steel
Impeller:	EN 1.4301
Impeller:	AISI 304
Material code:	A
<b>Installation:</b>	
Max. ambient:	60 °C
Maximum operating pressure:	10 bar
Max pressure at stated temp:	10 bar / 90 °C
Type of connection:	Rp
Size of outlet connection:	3/4 inch
Immersion depth:	199 mm
Connect code:	W
<b>Liquid:</b>	
Pumped liquid:	Water
Liquid temperature range:	-10 .. 90 °C
Selected liquid temperature:	20 °C
Density:	998.2 kg/m <sup>3</sup>
<b>Electrical data:</b>	
Motor standard:	IEC
Frame size:	80C
Multi plug:	N
IE efficiency class:	IE3
Rated power - P2:	1.1 kW
Mains frequency:	50 Hz
Suitable for 50/60 Hz:	Y
Rated voltage:	3 x 220-240D/380-415Y V
Service factor:	1.30
Rated current:	4.35/2.55 A
Maximum current consumption:	5.75/3.3 A
Starting current:	450-500 %
Rated speed:	2855 rpm
Efficiency:	82.7 %
Enclosure class (IEC 34-5):	IP54
Insulation class (IEC 85):	F
Built-in motor protection:	NONE
<b>Others:</b>	
Terminal box position:	6
Minimum efficiency index, MEI ≥:	0.70
Net weight:	15.5 kg
Gross weight:	16.6 kg
Danish VVS No.:	386951006
Country of origin:	HU
Custom tariff no.:	84137075



**On request MTH 2-6/6 A-W-A-AQQV 50 Hz**



Note! All units are in [mm] unless others are stated.  
Disclaimer: This simplified dimensional drawing does not show all details.

