

Qty. Description1 **MTH 2-7/7 A-W-A-AQQV****Note! Product picture may differ from actual product**

Product No.: On request

Multistage, immersible, self-priming, centrifugal pump for vertical installation in tanks etc.

The pump has the following characteristics:

- Installation length according to DIN 5440.
- Impellers, intermediate chambers and spline shaft are made of Stainless steel.
- Mechanical shaft seal according to EN 12756.

The pump is close-coupled with a 3-phase motor.

Liquid:

Pumped liquid: Water
Liquid temperature range: -10 .. 90 °C
Selected liquid temperature: 20 °C
Density: 998.2 kg/m³

Technical:

Rated flow: 41.7 l/min
Rated head: 45.4 m
Chambers: 7
Code for shaft seal: AQQV
Curve tolerance: ISO9906:2012 3B

Materials:

Pump housing: Cast iron
EN 1561 EN-GJL-200
ASTM A48-25B
Impeller: Stainless steel
EN 1.4301
AISI 304

Installation:

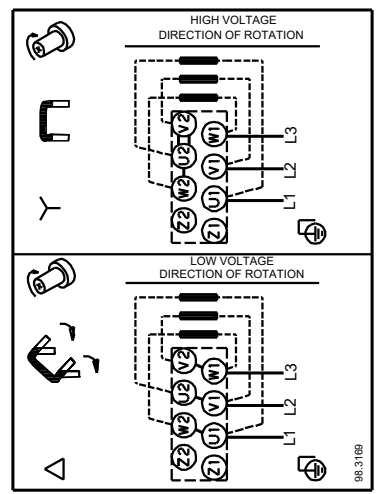
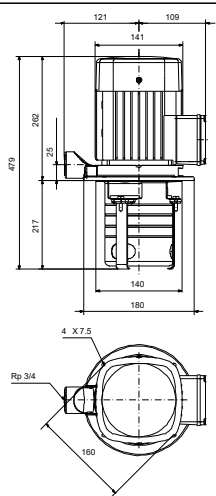
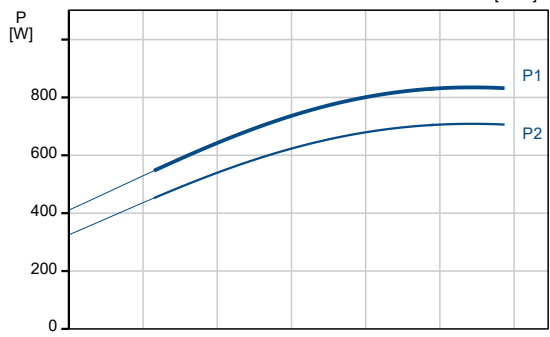
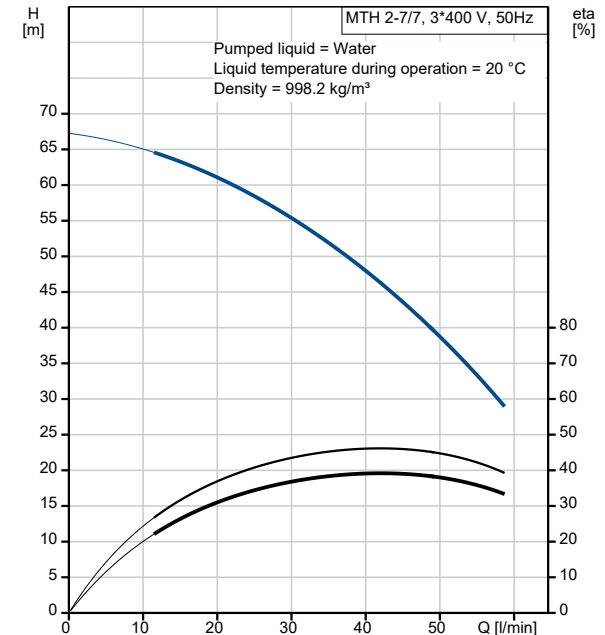
Max. ambient: 60 °C
Maximum operating pressure: 10 bar
Max pressure at stated temp: 10 bar / 90 °C
Type of connection: Rp
Size of outlet connection: 3/4 inch
Immersion depth: 217 mm

Electrical data:

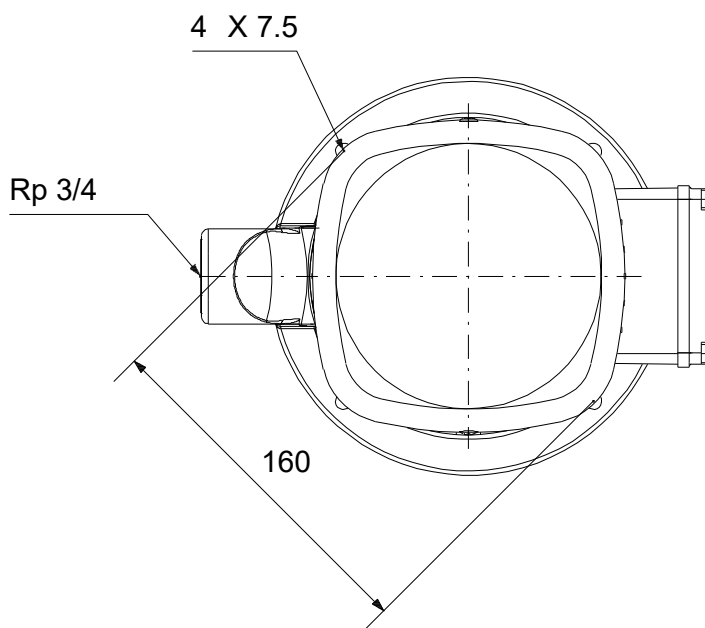
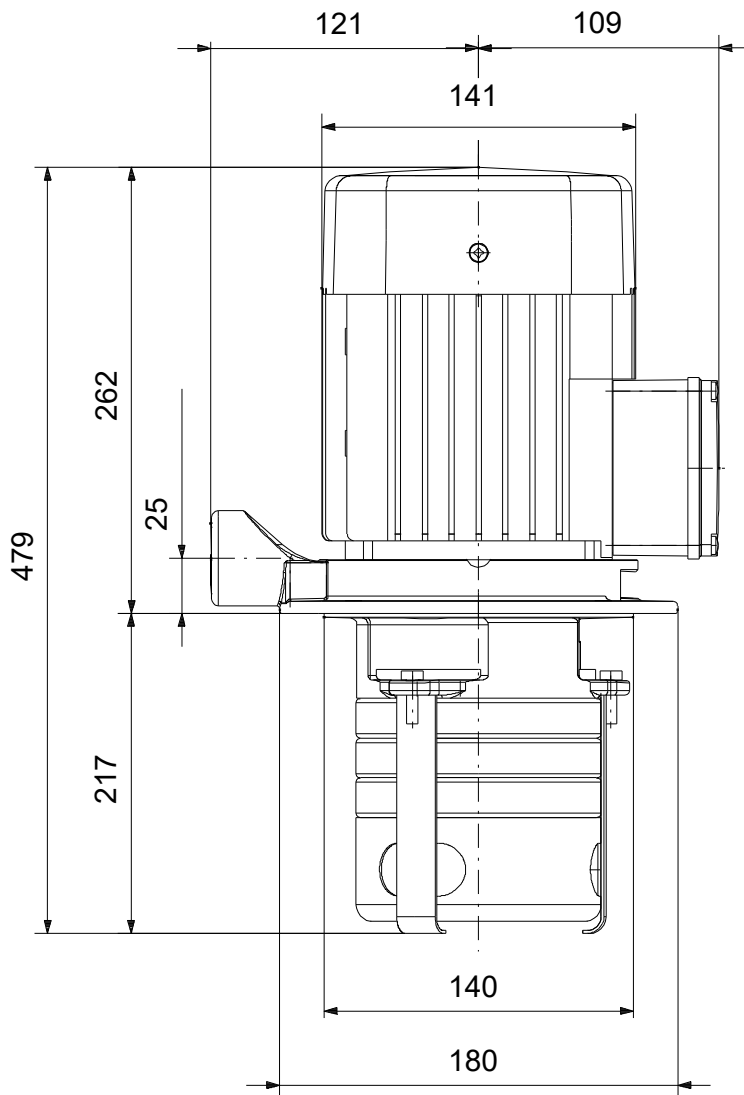
Motor standard: IEC
Frame size: 80C
Multi plug: N
IE efficiency class: IE3
Rated power - P2: 1.1 kW
Mains frequency: 50 Hz
Suitable for 50/60 Hz: Y
Rated voltage: 3 x 220-240D/380-415Y V
Service factor: 1.30
Rated current: 4.35/2.55 A
Maximum current consumption: 5.75/3.3 A

Qty.	Description
1	<p>Starting current: 450-500 % Rated speed: 2855 rpm Efficiency: 82.7 % Enclosure class (IEC 34-5): IP54 Insulation class (IEC 85): F Built-in motor protection: NONE</p> <p>Others: Terminal box position: 6 Minimum efficiency index, MEI ≥: 0.70 Net weight: 16.1 kg Gross weight: 17.2 kg Danish VVS No.: 386951007 Country of origin: HU Custom tariff no.: 84137075</p>

Description	Value
General information:	
Product name:	MTH 2-7/7 A-W-A-AQQV
Product No:	On request
EAN number:	On request
Technical:	
Rated flow:	41.7 l/min
Rated head:	45.4 m
Chambers:	7
Impellers:	7
Number of reduced-diameter impellers:	0
Code for shaft seal:	
Code for shaft seal:	AQQV
Curve tolerance:	ISO9906:2012 3B
Pump version:	A
Model:	A
Materials:	
Pump housing:	Cast iron
Pump housing:	EN 1561 EN-GJL-200
Pump housing:	ASTM A48-25B
Impeller:	Stainless steel
Impeller:	EN 1.4301
Impeller:	AISI 304
Material code:	A
Installation:	
Max. ambient:	60 °C
Maximum operating pressure:	10 bar
Max pressure at stated temp:	10 bar / 90 °C
Type of connection:	Rp
Size of outlet connection:	3/4 inch
Immersion depth:	217 mm
Connect code:	W
Liquid:	
Pumped liquid:	Water
Liquid temperature range:	-10 .. 90 °C
Selected liquid temperature:	20 °C
Density:	998.2 kg/m ³
Electrical data:	
Motor standard:	IEC
Frame size:	80C
Multi plug:	N
IE efficiency class:	IE3
Rated power - P2:	1.1 kW
Mains frequency:	50 Hz
Suitable for 50/60 Hz:	Y
Rated voltage:	3 x 220-240D/380-415Y V
Service factor:	1.30
Rated current:	4.35/2.55 A
Maximum current consumption:	5.75/3.3 A
Starting current:	450-500 %
Rated speed:	2855 rpm
Efficiency:	82.7 %
Enclosure class (IEC 34-5):	IP54
Insulation class (IEC 85):	F
Built-in motor protection:	NONE
Others:	
Terminal box position:	6
Minimum efficiency index, MEI ≥:	0.70
Net weight:	16.1 kg
Gross weight:	17.2 kg
Danish VVS No.:	386951007
Country of origin:	HU
Custom tariff no.:	84137075



On request MTH 2-7/7 A-W-A-AQQV 50 Hz



Note! All units are in [mm] unless others are stated.
Disclaimer: This simplified dimensional drawing does not show all details.

