

**Qty. Description**1 **MTH 4-7/7 A-W-A-AQQV****Note! Product picture may differ from actual product**

Product No.: On request

Multistage, immersible, self-priming, centrifugal pump for vertical installation in tanks etc.

The pump has the following characteristics:

- Installation length according to DIN 5440.
- Impellers, intermediate chambers and spline shaft are made of Stainless steel.
- Mechanical shaft seal according to EN 12756.

The pump is close-coupled with a 3-phase motor.

## Liquid:

Pumped liquid: Water  
Liquid temperature range: -10 .. 90 °C  
Selected liquid temperature: 20 °C  
Density: 998.2 kg/m<sup>3</sup>

## Technical:

Rated flow: 83.3 l/min  
Rated head: 45 m  
Chambers: 7  
Code for shaft seal: AQQV  
Curve tolerance: ISO9906:2012 3B

## Materials:

Pump housing: Cast iron  
EN 1561 EN-GJL-200  
ASTM A48-25B  
Impeller: Stainless steel  
EN 1.4301  
AISI 304

## Installation:

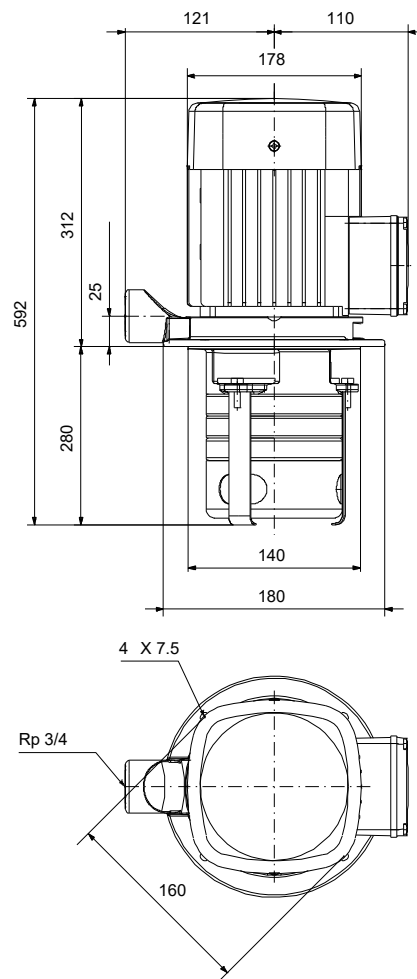
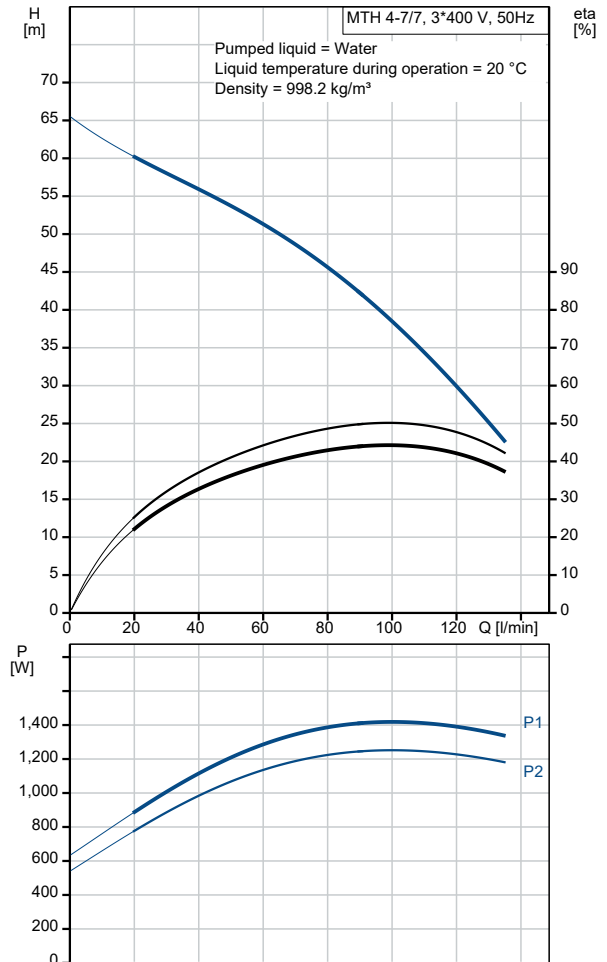
Max. ambient: 60 °C  
Maximum operating pressure: 10 bar  
Max pressure at stated temp: 10 bar / 90 °C  
Type of connection: Rp  
Size of outlet connection: 3/4 inch  
Immersion depth: 280 mm

## Electrical data:

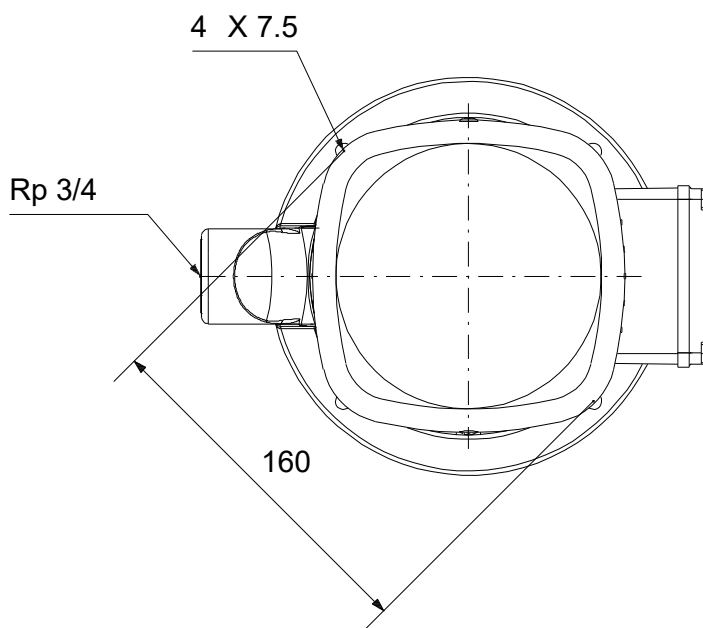
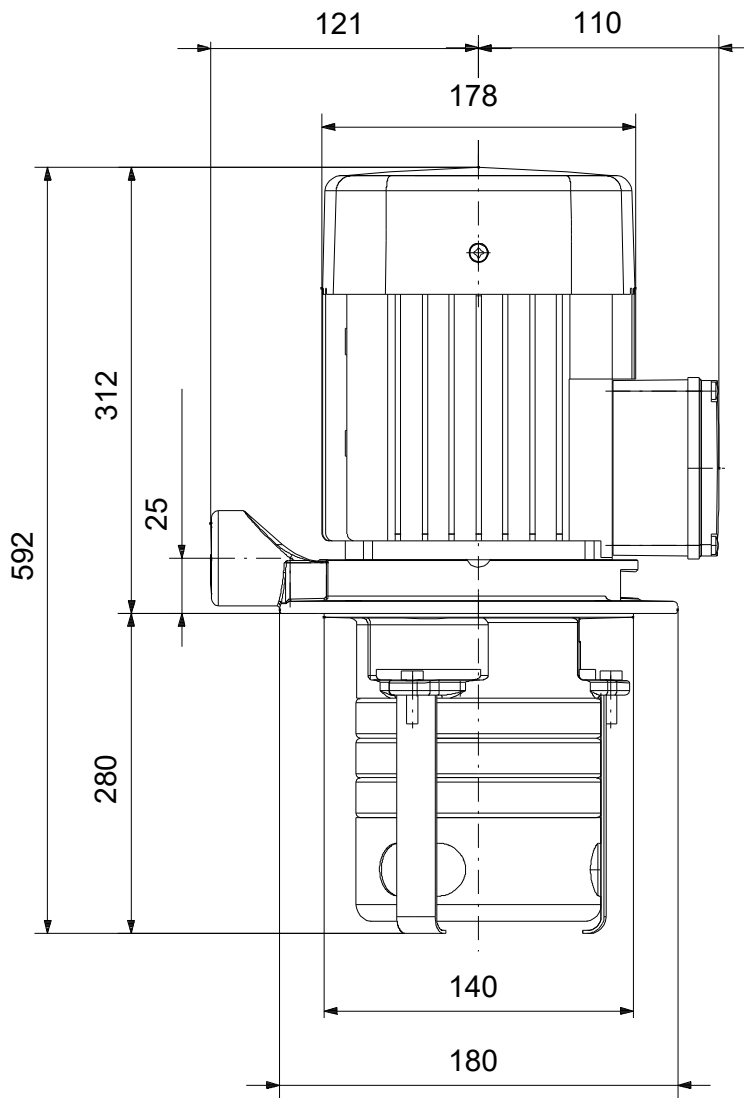
Motor standard: IEC  
Frame size: 90SE  
Multi plug: N  
IE efficiency class: IE3  
Rated power - P2: 1.5 kW  
Mains frequency: 50 Hz  
Suitable for 50/60 Hz: N  
Rated voltage: 3 x 220-240D/380-415Y V  
Service factor: 1.15  
Rated current: 5,55-5,35/3,20-3,10 A  
Maximum current consumption: 6,20-5,90/3,60-3,40 A

Qty.	Description
1	<p>Starting current: 850-930 %  Rated speed: 2920 rpm  Efficiency: 84.2 %  Enclosure class (IEC 34-5): IP54  Insulation class (IEC 85): F  Built-in motor protection: NONE</p> <p>Others:  Terminal box position: 6  Minimum efficiency index, MEI ≥: 0.70  Net weight: 26.8 kg  Gross weight: 28.2 kg  Country of origin: HU  Custom tariff no.: 84137075</p>

Description	Value
<b>General information:</b>	
Product name:	MTH 4-7/7 A-W-A-AQQV
Product No:	On request
EAN number:	On request
<b>Technical:</b>	
Rated flow:	83.3 l/min
Rated head:	45 m
Chambers:	7
Impellers:	7
Number of reduced-diameter impellers:	0
<b>Code for shaft seal:</b>	
Code for shaft seal:	AQQV
Curve tolerance:	ISO9906:2012 3B
Pump version:	A
Model:	A
<b>Materials:</b>	
Pump housing:	Cast iron
Pump housing:	EN 1561 EN-GJL-200
Pump housing:	ASTM A48-25B
Impeller:	Stainless steel
Impeller:	EN 1.4301
Impeller:	AISI 304
Material code:	A
<b>Installation:</b>	
Max. ambient:	60 °C
Maximum operating pressure:	10 bar
Max pressure at stated temp:	10 bar / 90 °C
Type of connection:	Rp
Size of outlet connection:	3/4 inch
Immersion depth:	280 mm
Connect code:	W
<b>Liquid:</b>	
Pumped liquid:	Water
Liquid temperature range:	-10 .. 90 °C
Selected liquid temperature:	20 °C
Density:	998.2 kg/m <sup>3</sup>
<b>Electrical data:</b>	
Motor standard:	IEC
Frame size:	90SE
Multi plug:	N
IE efficiency class:	IE3
Rated power - P2:	1.5 kW
Mains frequency:	50 Hz
Suitable for 50/60 Hz:	N
Rated voltage:	3 x 220-240D/380-415Y V
Service factor:	1.15
Rated current:	5,55-5,35/3,20-3,10 A
Maximum current consumption:	6,20-5,90/3,60-3,40 A
Starting current:	850-930 %
Rated speed:	2920 rpm
Efficiency:	84.2 %
Enclosure class (IEC 34-5):	IP54
Insulation class (IEC 85):	F
Built-in motor protection:	NONE
<b>Others:</b>	
Terminal box position:	6
Minimum efficiency index, MEI ≥:	0.70
Net weight:	26.8 kg
Gross weight:	28.2 kg
Country of origin:	HU
Custom tariff no.:	84137075



**On request MTH 4-7/7 A-W-A-AQQV 50 Hz**



Note! All units are in [mm] unless others are stated.  
Disclaimer: This simplified dimensional drawing does not show all details.

