

Qty.	Description
1	<p>CM 3-5 O-R-I-E-AQQE F-A-A-N Product No.: 99015455</p> <p>Compact, reliable, horizontal, multistage, end-suction centrifugal pump with axial suction port and radial discharge port. The pump is self-priming and can create a suction lift of up to 8 m metres. Pump materials in contact with the liquid are in stainless steel. The mechanical shaft seal is a special designed, unbalanced O-ring seal. Pipework connection is via internal Whitworth pipe threads, Rp (ISO 7/1).</p> <p>The pump is fitted with a 3-phase, foot-mounted, fan-cooled asynchronous motor.</p> <p>Controls:</p> <p>Frequency converter: NONE</p> <p>Liquid:</p> <p>Pumped liquid: Water Liquid temperature range: 0 .. 60 °C Selected liquid temperature: 20 °C Density: 998.2 kg/m³</p> <p>Technical:</p> <p>Pump speed on which pump data are based: 2900 rpm Rated flow: 3 m³/h Rated head: 34.89 m Code for shaft seal: AQQE Approvals: CE,EAC,UKCA Approvals for drinking water: WRAS,ACS,UBA Curve tolerance: ISO9906:2012 3B Self priming: 8 m</p> <p>Materials:</p> <p>Pump housing: Stainless steel EN 1.4301 AISI 304</p> <p>Impeller: Stainless steel EN 1.4301 AISI 304</p> <p>Installation:</p> <p>Range of ambient temperature: -20 .. 55 °C Maximum operating pressure: 16 bar Max pressure at stated temp: 16 bar / 60 °C 16 bar / 60 °C</p> <p>Type of connection: Rp Size of inlet connection: 1 inch Size of outlet connection: 1 inch</p> <p>Electrical data:</p> <p>Motor standard: IEC Frame size: 71B IE efficiency class: IE2 Rated power - P2: 0.6 kW Mains frequency: 50 Hz Suitable for 50/60 Hz: N Rated voltage: 3 x 220-240D/380-415Y V Service factor: 1.00 Rated current: 2,8-3,1/1,6-1,8 A Starting current: 580-500 % Rated speed: 2810-2850 rpm Enclosure class (IEC 34-5): IP55 Insulation class (IEC 85): F</p>



Company name:

Created by:

Phone:

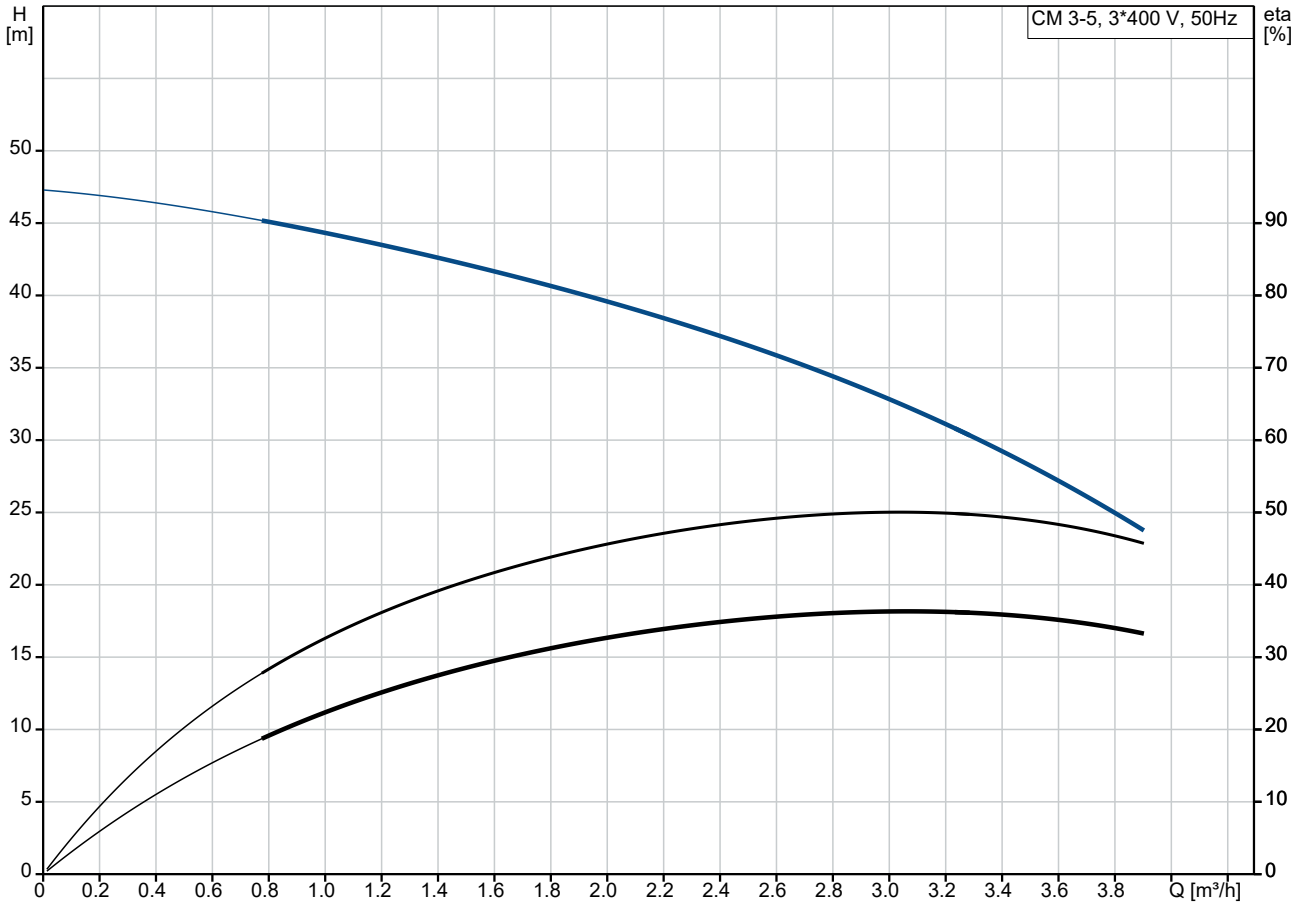
Date:

02/02/2023

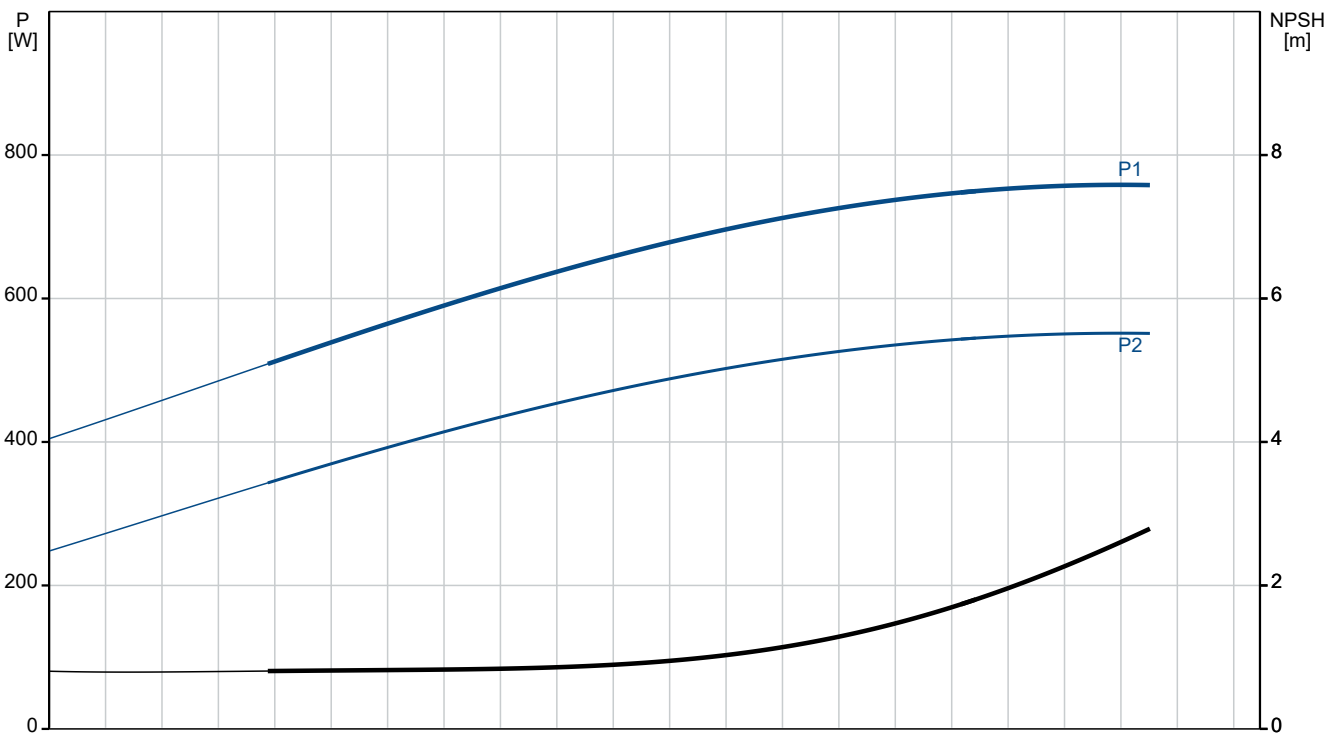
Qty. Description

1	Built-in motor protection:	NONE
	Cable included (Yes/No):	N
	Others:	
	Terminal box position:	12
	Minimum efficiency index, MEI \geq :	0.7
	Net weight:	14.5 kg
	Gross weight:	17 kg

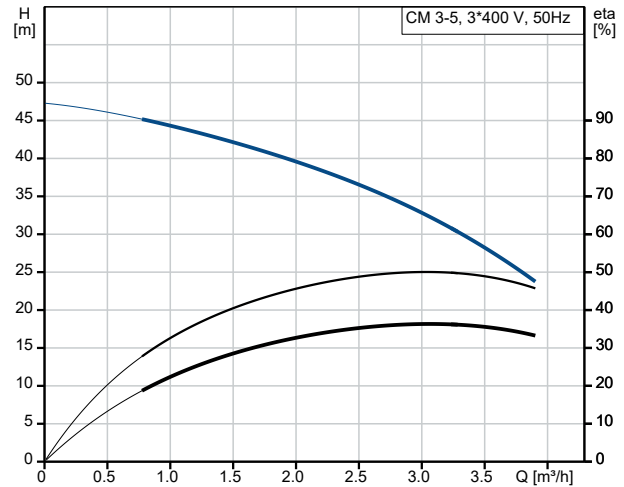
99015455 CM 3-5 O-R-I-E-AQQE F-A-A-N 50 Hz



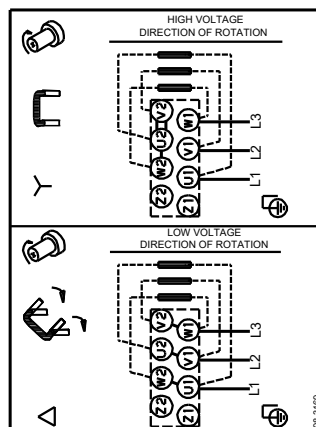
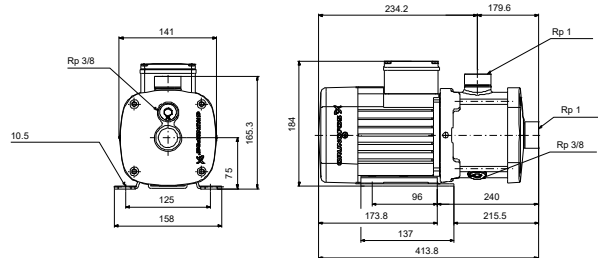
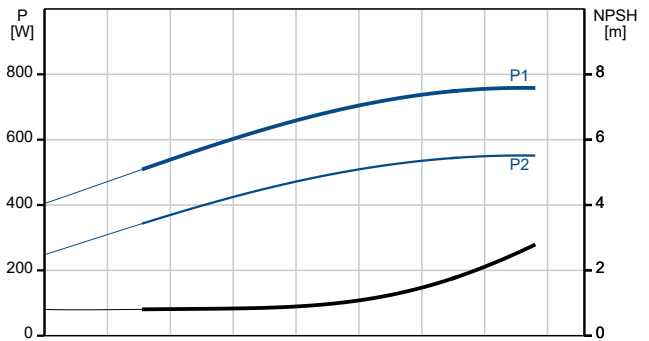
Pumped liquid = Water
 Liquid temperature during operation = 20 °C
 Density = 998.2 kg/m³



Description	Value
General information:	
Product name:	CM 3-5 O-R-I-E-AQQE F-A-A-N
Product No:	99015455
EAN number:	5712605129660
Technical:	
Pump speed on which pump data are based:	2900 rpm
Rated flow:	3 m ³ /h
Rated head:	34.89 m
Impellers:	5
Code for shaft seal:	AQQE
Approvals:	CE,EAC,UKCA
Approvals for drinking water:	WRAS,ACS,UBA
Curve tolerance:	ISO9906:2012 3B
Pump version:	O
Model:	A
Self priming:	8 m
Materials:	
Pump housing:	Stainless steel
Pump housing:	EN 1.4301
Pump housing:	AISI 304
Impeller:	Stainless steel
Impeller:	EN 1.4301
Impeller:	AISI 304
Material code:	I
Code for rubber:	E
Installation:	
Range of ambient temperature:	-20 .. 55 °C
Maximum operating pressure:	16 bar
Max pressure at stated temp:	16 bar / 60 °C
Max pressure at stated temp:	16 bar / 60 °C
Type of connection:	Rp
Size of inlet connection:	1 inch
Size of outlet connection:	1 inch
Connect code:	R
Liquid:	
Pumped liquid:	Water
Liquid temperature range:	0 .. 60 °C
Selected liquid temperature:	20 °C
Density:	998.2 kg/m ³
Electrical data:	
Motor standard:	IEC
Frame size:	71B
IE efficiency class:	IE2
Rated power - P2:	0.6 kW
Mains frequency:	50 Hz
Suitable for 50/60 Hz:	N
Rated voltage:	3 x 220-240D/380-415Y V
Service factor:	1.00
Rated current:	2,8-3,1/1,6-1,8 A
Starting current:	580-500 %
Rated speed:	2810-2850 rpm
Enclosure class (IEC 34-5):	IP55
Insulation class (IEC 85):	F
Built-in motor protection:	NONE
Cable included (Yes/No):	N
Controls:	
Frequency converter:	NONE



Pumped liquid = Water
 Liquid temperature during operation = 20 °C
 Density = 998.2 kg/m³





Company name:

Created by:

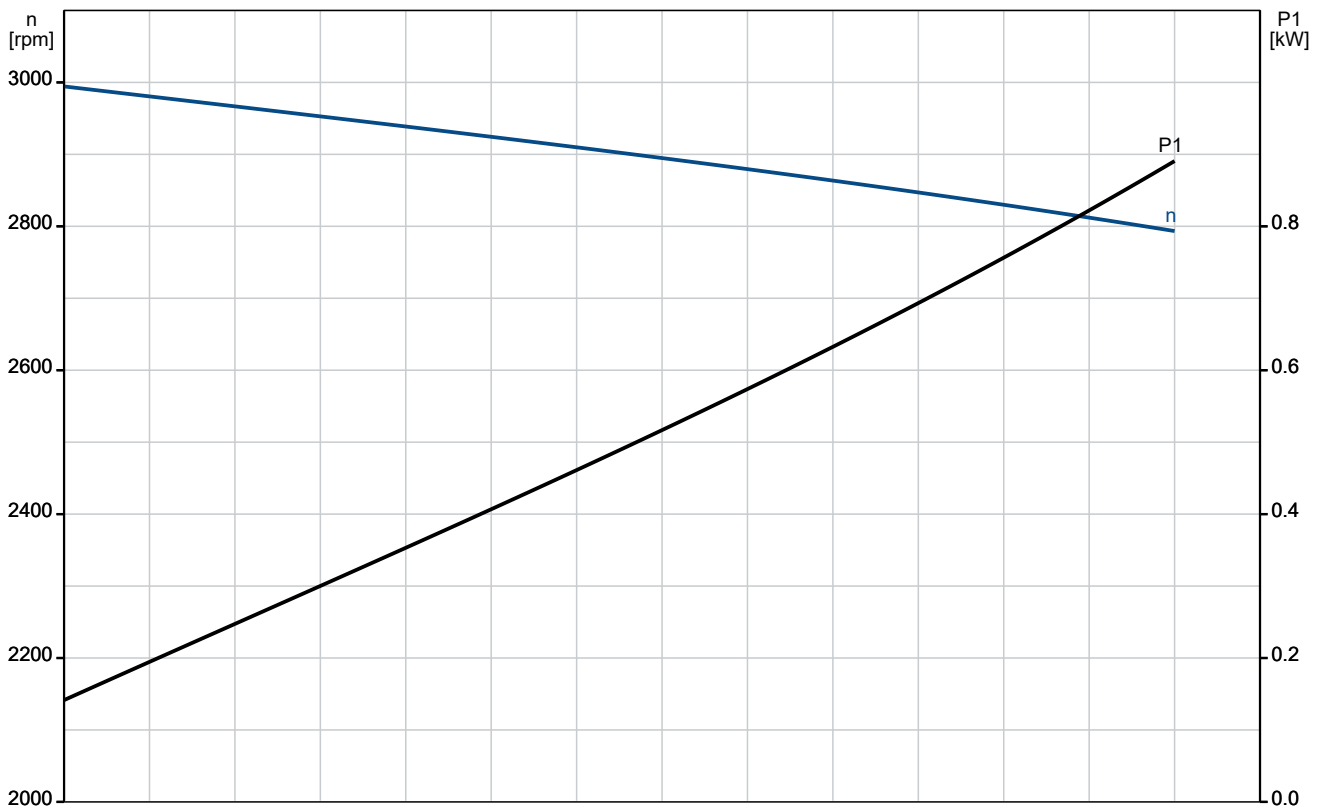
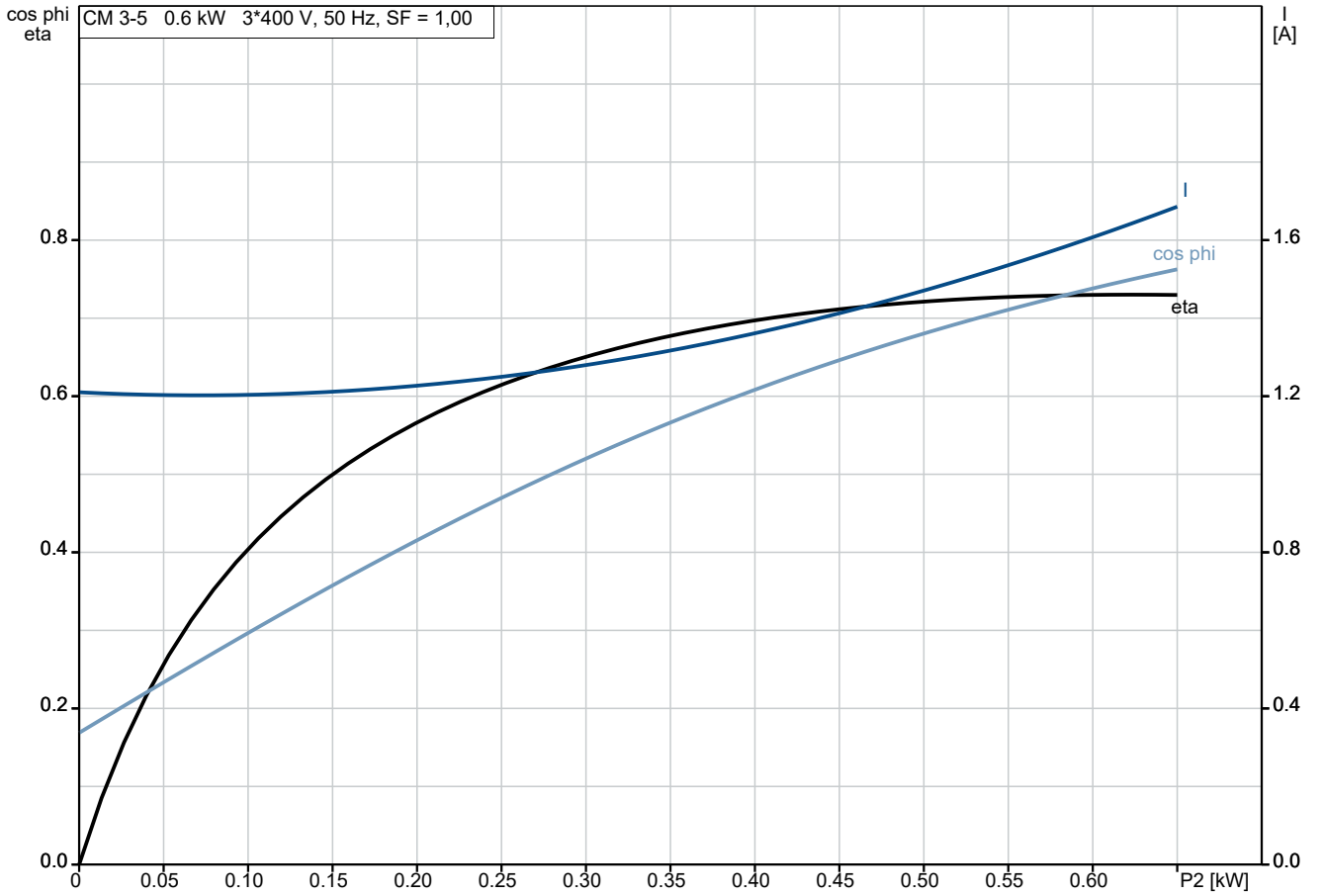
Phone:

Date:

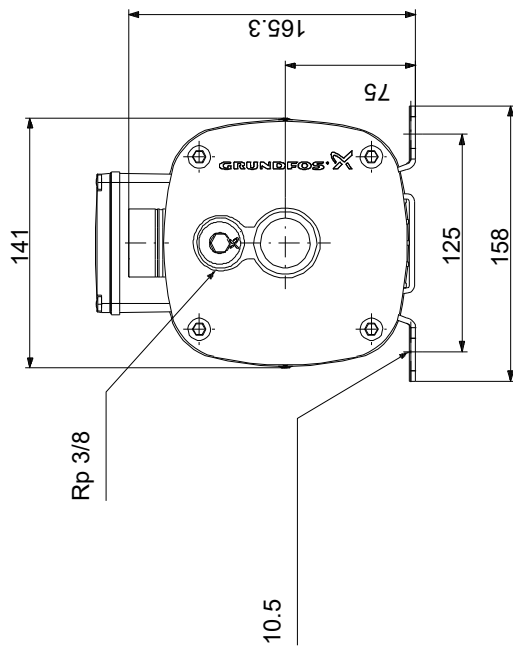
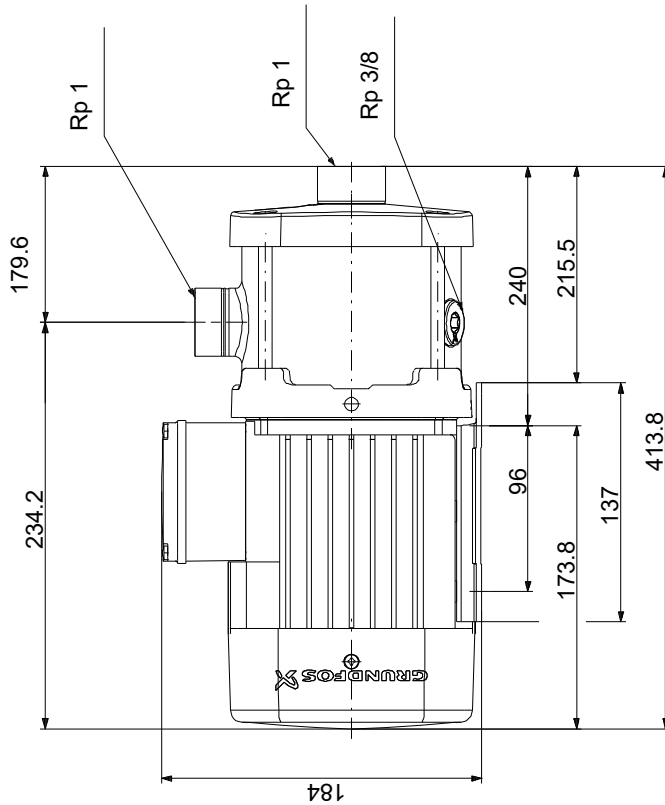
02/02/2023

Description	Value
Others:	
Terminal box position:	12
Minimum efficiency index, MEI ≥:	0.7
Net weight:	14.5 kg
Gross weight:	17 kg

99015455 CM 3-5 O-R-I-E-AQQE F-A-A-N 50 Hz

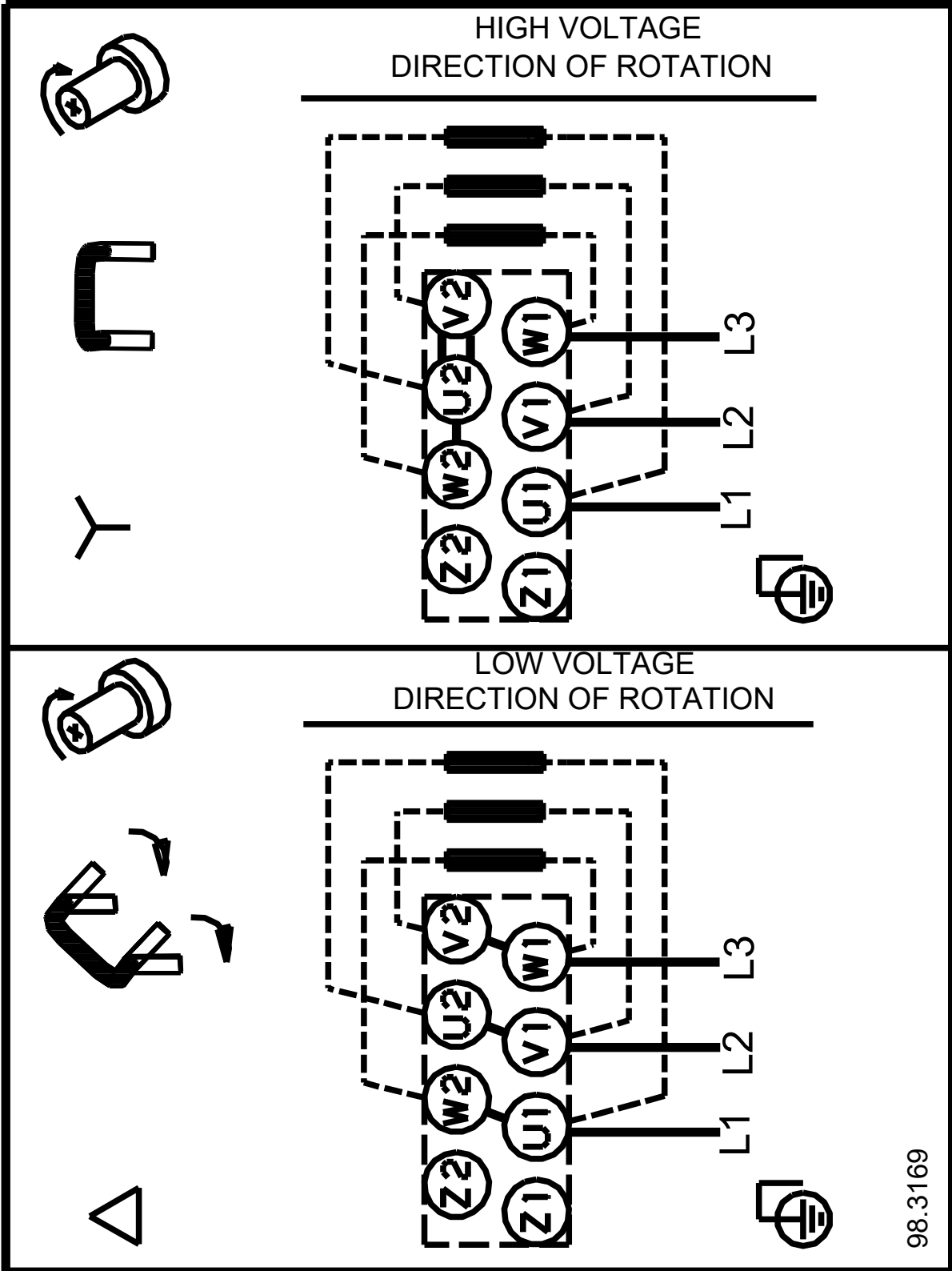


99015455 CM 3-5 O-R-I-E-AQQE F-A-A-N 50 Hz



Note! All units are in [mm] unless others are stated.
Disclaimer: This simplified dimensional drawing does not show all details.

99015455 CM 3-5 O-R-I-E-AQQE F-A-A-N 50 Hz



98.3169

Note! All units are in [mm] unless others are stated.

