

**Qty. Description**1 **NBE 125-200/196-180 BAF2AESBQQEMWA**

**Note! Product picture may differ from actual product**

Product No.: [99101911](#)

Non-self-priming, single-stage, centrifugal volute pump designed according to ISO 5199 with dimensions and rated performance according to EN 733 (10 bar).

Flanges are PN 16 with dimensions according to EN 1092-2. The pump has an axial suction port, radial discharge port, horizontal shaft and a back pull-out design enabling removal of the motor, motor stool, cover and impeller without disturbing the pump housing or pipework.

The unbalanced rubber bellows seal is according to DIN EN 12756.

The pump is close-coupled to a fan-cooled, permanent-magnet synchronous motor.

The motor includes a frequency converter and PI controller in the motor terminal box. This enables continuously variable control of the motor speed, which again enables adaptation of the performance to a given requirement.

**Controls:**

Frequency converter: Built-in  
Pressure sensor: N

**Liquid:**

Pumped liquid: Water  
Liquid temperature range: -25 .. 120 °C  
Selected liquid temperature: 20 °C  
Density: 998.2 kg/m<sup>3</sup>

**Technical:**

Pump speed on which pump data are based: 1450 rpm  
Rated flow: 248 m<sup>3</sup>/h  
Rated head: 8.8 m  
Actual impeller diameter: 188 mm  
Nominal impeller diameter: 200  
Shaft seal arrangement: Single  
Code for shaft seal: BQQE  
Curve tolerance: ISO9906:2012 3B2  
Bearing design: Standard

**Materials:**

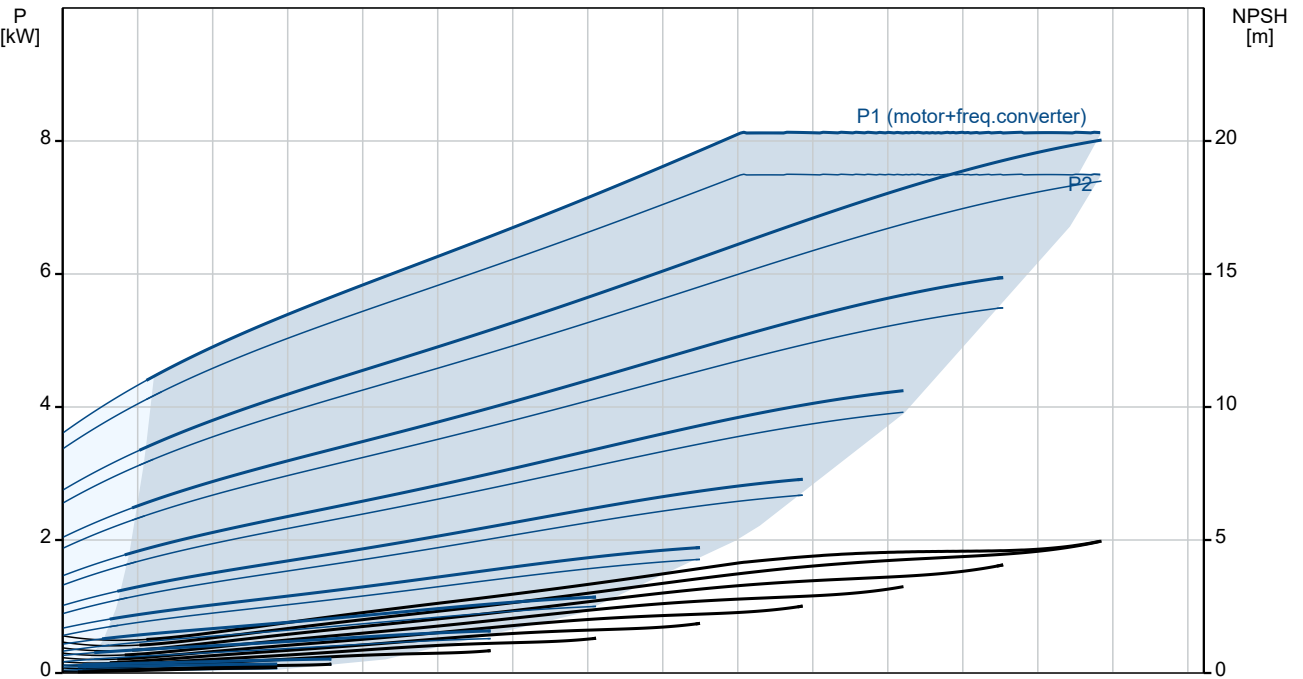
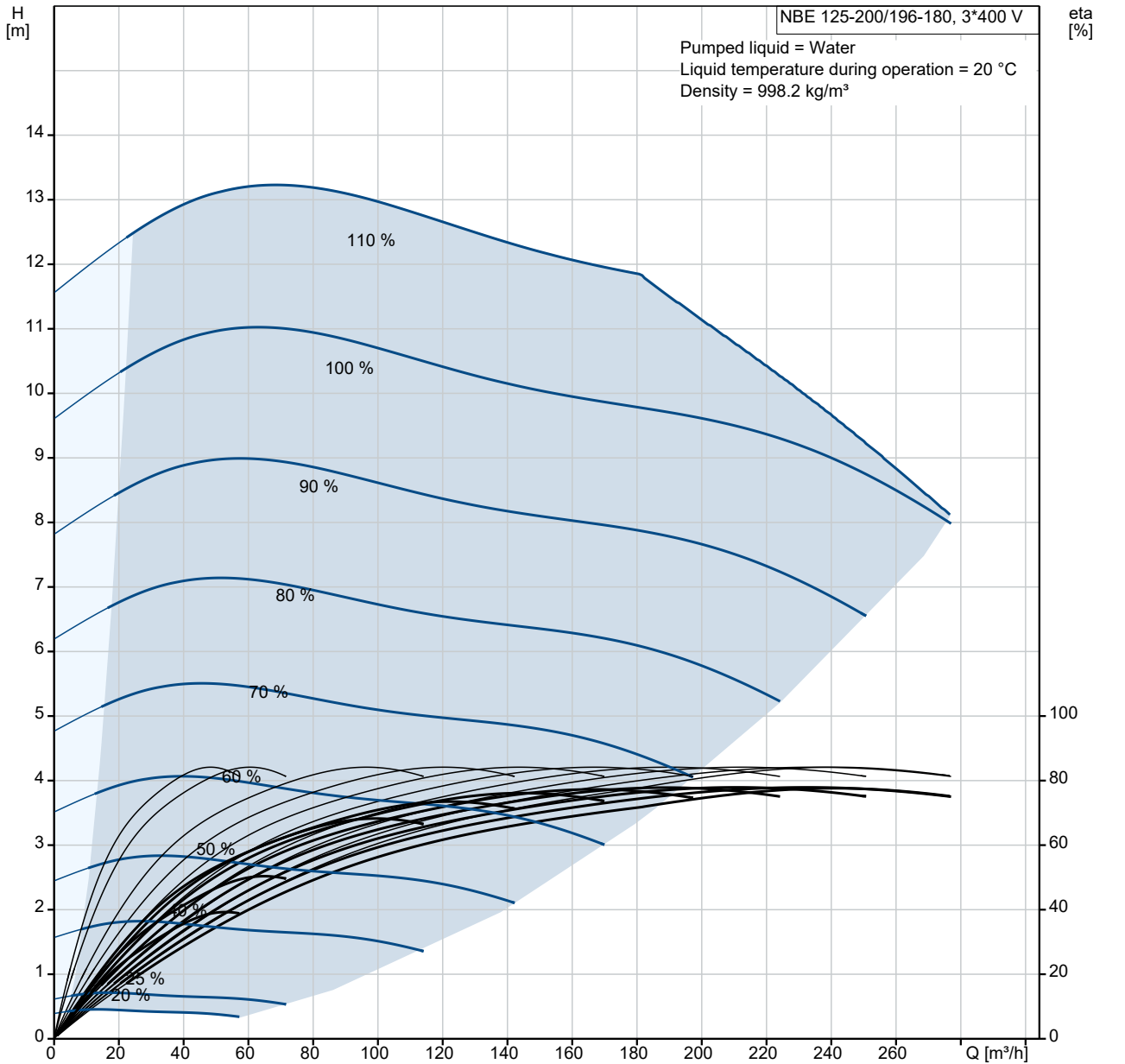
Pump housing: Cast iron  
EN-GJL-250  
ASTM class 35  
Wear ring: Brass  
Impeller: Cast iron  
EN-GJL-200  
ASTM class 30  
Internal pump house coating: CED  
Shaft: Stainless steel  
EN 1.4301  
AISI 304

**Installation:**

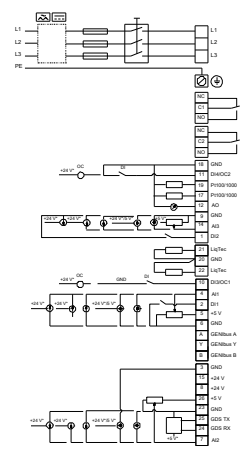
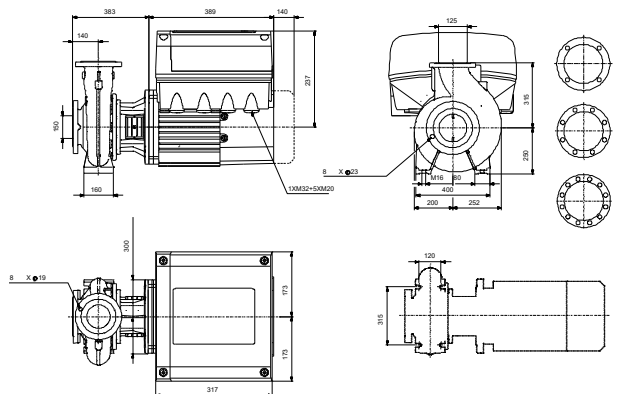
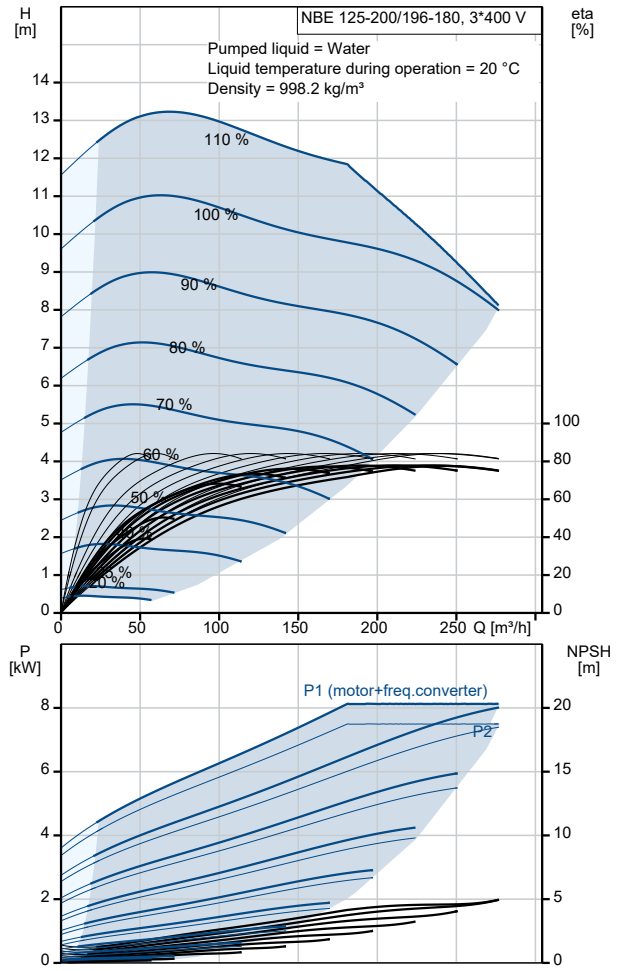
Range of ambient temperature: -20 .. 50 °C  
Maximum operating pressure: 16 bar  
Pipe connection standard: EN 1092-2  
Size of inlet connection: DN 150  
Size of outlet connection: DN 125  
Pressure rating for connection: PN 16

Qty.	Description																																																				
1	<table border="0"> <tr> <td>Bearing lubrication:</td> <td>Grease</td> </tr> <tr> <td>Pump housing with feet:</td> <td>Yes</td> </tr> <tr> <td>Support block (Yes/No):</td> <td>N</td> </tr> <tr> <td colspan="2">Electrical data:</td> </tr> <tr> <td>IE Efficiency class:</td> <td>IE5</td> </tr> <tr> <td>Rated power - P2:</td> <td>7.5 kW</td> </tr> <tr> <td>Mains frequency:</td> <td>50 Hz</td> </tr> <tr> <td>Rated voltage:</td> <td>3 x 380-500 V</td> </tr> <tr> <td>Rated current:</td> <td>14.1-11.1 A</td> </tr> <tr> <td>Cos phi - power factor:</td> <td>0.93-0.89</td> </tr> <tr> <td>Rated speed:</td> <td>180-2200 rpm</td> </tr> <tr> <td>Efficiency:</td> <td>92.2%</td> </tr> <tr> <td>Motor efficiency at full load:</td> <td>92.2 %</td> </tr> <tr> <td>Number of poles:</td> <td>4</td> </tr> <tr> <td>Enclosure class (IEC 34-5):</td> <td>IP55</td> </tr> <tr> <td>Insulation class (IEC 85):</td> <td>F</td> </tr> <tr> <td>Motor No:</td> <td>98971268</td> </tr> <tr> <td>Bearing insulation type N-end:</td> <td>STEEL BEARING</td> </tr> <tr> <td colspan="2">Others:</td> </tr> <tr> <td>Minimum efficiency index, MEI ≥:</td> <td>0.70</td> </tr> <tr> <td>Net weight:</td> <td>162 kg</td> </tr> <tr> <td>Gross weight:</td> <td>184 kg</td> </tr> <tr> <td>Shipping volume:</td> <td>0.509 m<sup>3</sup></td> </tr> <tr> <td>Danish VVS No.:</td> <td>386106202</td> </tr> <tr> <td>Country of origin:</td> <td>HU</td> </tr> <tr> <td>Custom tariff no.:</td> <td>84137051</td> </tr> </table>	Bearing lubrication:	Grease	Pump housing with feet:	Yes	Support block (Yes/No):	N	Electrical data:		IE Efficiency class:	IE5	Rated power - P2:	7.5 kW	Mains frequency:	50 Hz	Rated voltage:	3 x 380-500 V	Rated current:	14.1-11.1 A	Cos phi - power factor:	0.93-0.89	Rated speed:	180-2200 rpm	Efficiency:	92.2%	Motor efficiency at full load:	92.2 %	Number of poles:	4	Enclosure class (IEC 34-5):	IP55	Insulation class (IEC 85):	F	Motor No:	98971268	Bearing insulation type N-end:	STEEL BEARING	Others:		Minimum efficiency index, MEI ≥:	0.70	Net weight:	162 kg	Gross weight:	184 kg	Shipping volume:	0.509 m <sup>3</sup>	Danish VVS No.:	386106202	Country of origin:	HU	Custom tariff no.:	84137051
Bearing lubrication:	Grease																																																				
Pump housing with feet:	Yes																																																				
Support block (Yes/No):	N																																																				
Electrical data:																																																					
IE Efficiency class:	IE5																																																				
Rated power - P2:	7.5 kW																																																				
Mains frequency:	50 Hz																																																				
Rated voltage:	3 x 380-500 V																																																				
Rated current:	14.1-11.1 A																																																				
Cos phi - power factor:	0.93-0.89																																																				
Rated speed:	180-2200 rpm																																																				
Efficiency:	92.2%																																																				
Motor efficiency at full load:	92.2 %																																																				
Number of poles:	4																																																				
Enclosure class (IEC 34-5):	IP55																																																				
Insulation class (IEC 85):	F																																																				
Motor No:	98971268																																																				
Bearing insulation type N-end:	STEEL BEARING																																																				
Others:																																																					
Minimum efficiency index, MEI ≥:	0.70																																																				
Net weight:	162 kg																																																				
Gross weight:	184 kg																																																				
Shipping volume:	0.509 m <sup>3</sup>																																																				
Danish VVS No.:	386106202																																																				
Country of origin:	HU																																																				
Custom tariff no.:	84137051																																																				

# 99101911 NBE 125-200/196-180 BAF2AESBQQEMWA 50 Hz

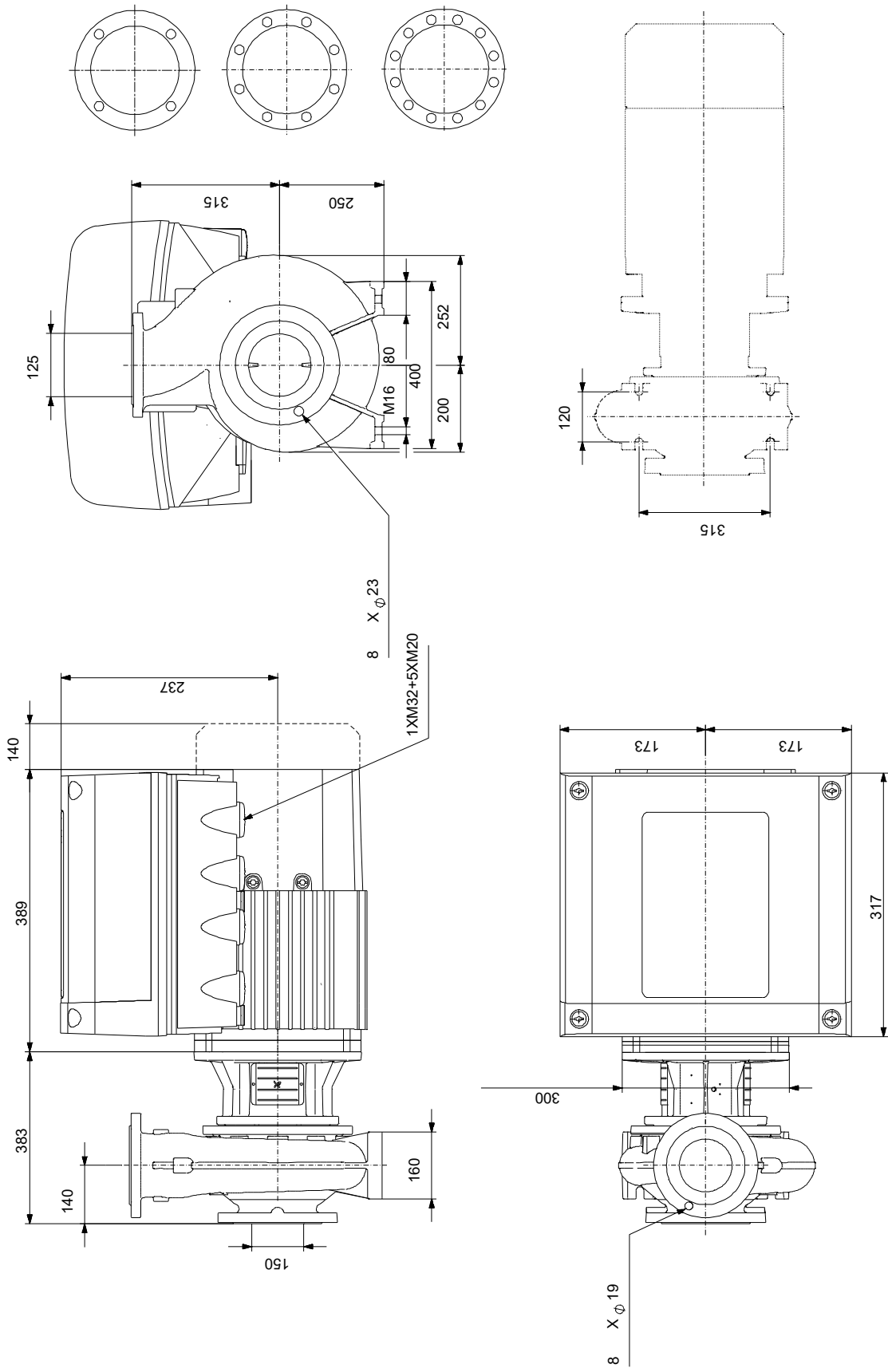


Description	Value
<b>General information:</b>	
Product name:	NBE 125-200/196-180 BAF2AESBQQEMWA
Product No:	99101911
EAN number:	5712606791224
<b>Technical:</b>	
Pump speed on which pump data are based:	1450 rpm
Rated flow:	248 m <sup>3</sup> /h
Rated head:	8.8 m
Actual impeller diameter:	188 mm
Nominal impeller diameter:	200
Shaft seal arrangement:	Single
Shaft diameter:	32 mm
Code for shaft seal:	BQQE
Curve tolerance:	ISO9906:2012 3B2
Pump version:	A
Bearing design:	Standard
<b>Materials:</b>	
Pump housing:	Cast iron
Pump housing:	EN-GJL-250
Pump housing:	ASTM class 35
Wear ring:	Brass
Impeller:	Cast iron
Impeller:	EN-GJL-200
Impeller:	ASTM class 30
Internal pump house coating:	CED
Material code:	A
Code for rubber:	E
Shaft:	Stainless steel
Shaft:	EN 1.4301
Shaft:	AISI 304
<b>Installation:</b>	
Range of ambient temperature:	-20 .. 50 °C
Maximum operating pressure:	16 bar
Pipe connection standard:	EN 1092-2
Size of inlet connection:	DN 150
Size of outlet connection:	DN 125
Pressure rating for connection:	PN 16
Bearing lubrication:	Grease
Pump housing with feet:	Yes
Support block (Yes/No):	N
Connect code:	F2
<b>Liquid:</b>	
Pumped liquid:	Water
Liquid temperature range:	-25 .. 120 °C
Selected liquid temperature:	20 °C
Density:	998.2 kg/m <sup>3</sup>
<b>Electrical data:</b>	
IE Efficiency class:	IE5
Rated power - P2:	7.5 kW
Mains frequency:	50 Hz
Rated voltage:	3 x 380-500 V
Rated current:	14.1-11.1 A
Cos phi - power factor:	0.93-0.89
Rated speed:	180-2200 rpm
Efficiency:	92.2%
Motor efficiency at full load:	92.2%
Number of poles:	4
Enclosure class (IEC 34-5):	IP55
Insulation class (IEC 85):	F
Built-in motor protection:	ELEC
Motor No:	98971268
Mount. design. acc. IEC 34-7:	IM V1/B5



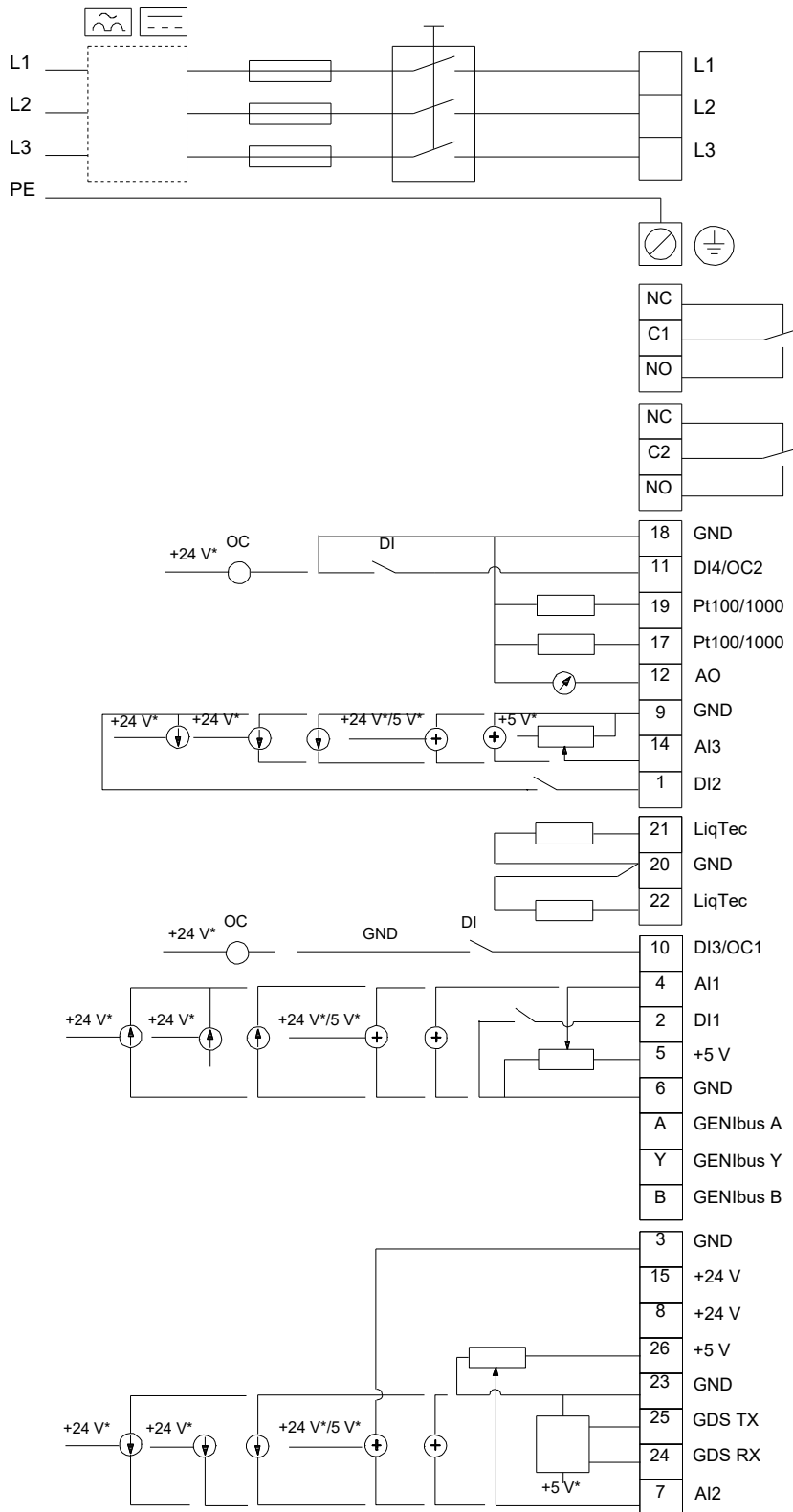
Description	Value
Bearing insulation type N-end:	STEEL BEARING
<b>Controls:</b>	
Control panel:	HMI300 - Advanced
Function Module:	FM300 - Advanced
Frequency converter:	Built-in
Pressure sensor:	N
<b>Others:</b>	
Minimum efficiency index, MEI ≥:	0.70
Net weight:	162 kg
Gross weight:	184 kg
Shipping volume:	0.509 m <sup>3</sup>
Danish VVS No.:	386106202
Country of origin:	HU
Custom tariff no.:	84137051

# 99101911 NBE 125-200/196-180 BAF2AESBQQEMWA 50 Hz



Note! All units are in [mm] unless others are stated.  
 Disclaimer: This simplified dimensional drawing does not show all details.

# 99101911 NBE 125-200/196-180 BAF2AESBQQEMWA 50 Hz



Note! All units are in [mm] unless others are stated.

