
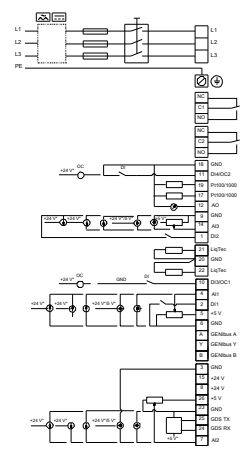
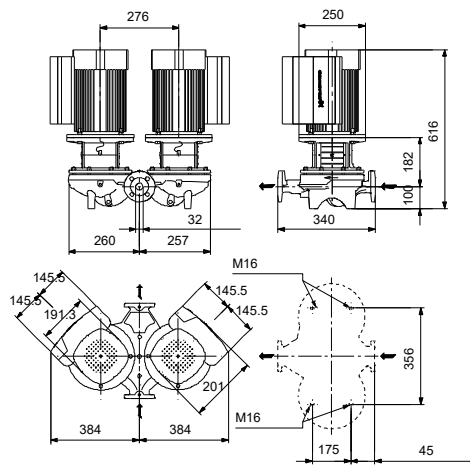
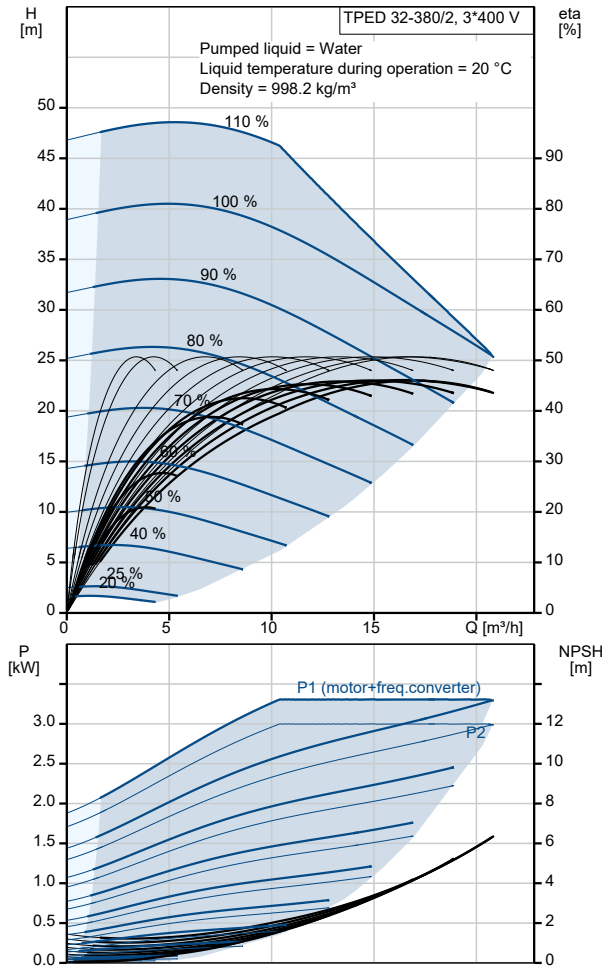


Qty.	Description
1	<p data-bbox="199 159 577 188">TPED 32-380/2 A-F-A-BQQE-JDB</p>  <p data-bbox="592 506 1062 530">Note! Product picture may differ from actual product</p> <p data-bbox="199 539 478 564">Product No.: On request</p> <p data-bbox="199 600 1458 651">Single-stage, close-coupled, volute twin-head pump with in-line suction and discharge ports of identical diameter. The twin-head pump is designed with two parallel power-heads.</p> <p data-bbox="199 658 1401 710">The pump is of the top-pull-out design, i.e. the power head (motor, pump head and impeller) can be removed for maintenance or service while the pump housing remains in the pipework.</p> <p data-bbox="199 716 911 741">Each power head is fitted with an unbalanced rubber bellows seal.</p> <p data-bbox="199 748 1458 772">The shaft seal is according to EN 12756. Pipework connection is via PN 16 DIN flanges (EN 1092-2 and ISO 7005-2).</p> <p data-bbox="199 801 1390 853">Each power head is fitted with a fan-cooled, permanent-magnet synchronous motor of identical size. The motor efficiency is classified as IE5 in accordance with IEC 60034-30-2.</p> <p data-bbox="199 891 300 916">Controls:</p> <p data-bbox="199 922 639 947">Frequency converter: Built-in</p> <p data-bbox="199 983 276 1008">Liquid:</p> <p data-bbox="199 1014 632 1039">Pumped liquid: Water</p> <p data-bbox="199 1046 703 1070">Liquid temperature range: -25 .. 120 °C</p> <p data-bbox="199 1077 627 1102">Selected liquid temperature: 20 °C</p> <p data-bbox="199 1108 695 1133">Density: 998.2 kg/m³</p> <p data-bbox="199 1169 312 1193">Technical:</p> <p data-bbox="199 1200 818 1225">Pump speed on which pump data are based: 2910 rpm</p> <p data-bbox="199 1232 671 1256">Rated flow: 18.8 m³/h</p> <p data-bbox="199 1263 639 1288">Rated head: 26.2 m</p> <p data-bbox="199 1294 655 1319">Actual impeller diameter: 169 mm</p> <p data-bbox="199 1326 636 1350">Code for shaft seal: BQQE</p> <p data-bbox="199 1357 772 1382">Curve tolerance: ISO9906:2012 3B2</p> <p data-bbox="199 1417 308 1442">Materials:</p> <p data-bbox="199 1449 730 1514">Pump housing: Cast iron EN-GJL-250 ASTM class 35</p> <p data-bbox="199 1525 730 1590">Impeller: Cast iron EN-GJL-200 ASTM class 30</p> <p data-bbox="199 1648 325 1673">Installation:</p> <p data-bbox="199 1680 691 1704">Range of ambient temperature: -20 .. 50 °C</p> <p data-bbox="199 1711 636 1736">Maximum operating pressure: 16 bar</p> <p data-bbox="199 1742 730 1767">Max pressure at stated temp: 16 bar / 120 °C</p> <p data-bbox="199 1774 608 1798">Type of connection: DIN</p> <p data-bbox="199 1805 636 1830">Size of connection: DN 32</p> <p data-bbox="199 1836 636 1861">Pressure rating for connection: PN 16</p> <p data-bbox="199 1868 655 1892">Port-to-port length: 340 mm</p> <p data-bbox="199 1899 636 1924">Flange size for motor: FF215</p> <p data-bbox="199 1960 360 1984">Electrical data:</p> <p data-bbox="199 1991 636 2016">Motor type: 100LA</p> <p data-bbox="199 2022 604 2047">IE Efficiency class: IE5</p> <p data-bbox="199 2054 624 2078">Rated power - P2: 3 kW</p> <p data-bbox="199 2085 632 2110">Mains frequency: 50 Hz</p> <p data-bbox="199 2116 716 2141">Rated voltage: 3 x 380-500 V</p>

Qty.	Description
1	<p>Rated current: 5.80-4.80 A Cos phi - power factor: 0.91-0.86 Rated speed: 360-4000 rpm Efficiency: 90.7% Motor efficiency at full load: 90.7 % Number of poles: 2 Enclosure class (IEC 34-5): IP55 Insulation class (IEC 85): F Motor No: 98971186</p> <p>Others: Minimum efficiency index, MEI ≥: 0.70 Net weight: 109 kg Gross weight: 129 kg Shipping volume: 0.518 m³ Country of origin: HU Custom tariff no.: 84137065</p>

Description	Value
General information:	
Product name:	TPED 32-380/2 A-F-A-BQQE-JDB
Product No:	On request
EAN number:	On request
Technical:	
Pump speed on which pump data are based:	2910 rpm
Rated flow:	18.8 m ³ /h
Rated head:	26.2 m
Maximum head:	380 dm
Actual impeller diameter:	169 mm
Code for shaft seal:	BQQE
Curve tolerance:	ISO9906:2012 3B2
Pump version:	A
Materials:	
Pump housing:	Cast iron
Pump housing:	EN-GJL-250
Pump housing:	ASTM class 35
Impeller:	Cast iron
Impeller:	EN-GJL-200
Impeller:	ASTM class 30
Material code:	A
Installation:	
Range of ambient temperature:	-20 .. 50 °C
Maximum operating pressure:	16 bar
Max pressure at stated temp:	16 bar / 120 °C
Type of connection:	DIN
Size of connection:	DN 32
Pressure rating for connection:	PN 16
Port-to-port length:	340 mm
Flange size for motor:	FF215
Connect code:	F
Liquid:	
Pumped liquid:	Water
Liquid temperature range:	-25 .. 120 °C
Selected liquid temperature:	20 °C
Density:	998.2 kg/m ³
Electrical data:	
Motor type:	100LA
IE Efficiency class:	IE5
Rated power - P2:	3 kW
Mains frequency:	50 Hz
Rated voltage:	3 x 380-500 V
Rated current:	5.80-4.80 A
Cos phi - power factor:	0.91-0.86
Rated speed:	360-4000 rpm
Efficiency:	90.7%
Motor efficiency at full load:	90.7 %
Number of poles:	2
Enclosure class (IEC 34-5):	IP55
Insulation class (IEC 85):	F
Built-in motor protection:	ELEC
Motor No:	98971186
Controls:	
Control panel:	HMI200 - Standard
Function Module:	FM300 - Advanced
Frequency converter:	Built-in
Others:	
Minimum efficiency index, MEI ≥:	0.70
Net weight:	109 kg
Gross weight:	129 kg
Shipping volume:	0.518 m ³
Config. file no:	99100549



Description	Value
Country of origin:	HU
Custom tariff no.:	84137065

