
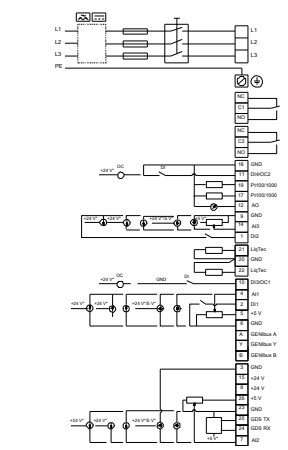
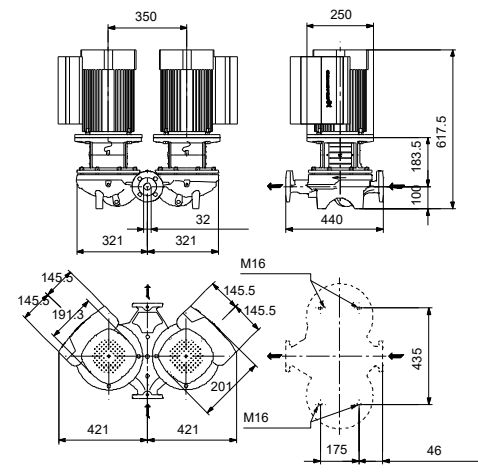
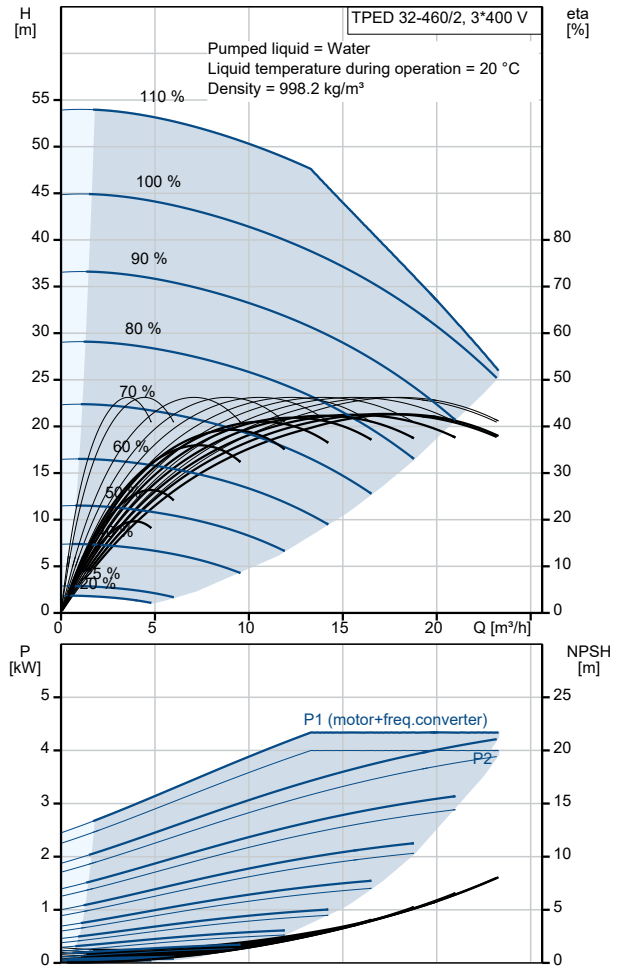


Qty.	Description
1	<p data-bbox="199 159 582 190">TPED 32-460/2 A-F-A-BQQE-KDB</p>  <p data-bbox="590 504 1061 526">Note! Product picture may differ from actual product</p> <p data-bbox="199 537 478 571">Product No.: On request</p> <p data-bbox="199 593 1460 649">Single-stage, close-coupled, volute twin-head pump with in-line suction and discharge ports of identical diameter. The twin-head pump is designed with two parallel power-heads.</p> <p data-bbox="199 660 1404 705">The pump is of the top-pull-out design, i.e. the power head (motor, pump head and impeller) can be removed for maintenance or service while the pump housing remains in the pipework.</p> <p data-bbox="199 716 909 739">Each power head is fitted with an unbalanced rubber bellows seal.</p> <p data-bbox="199 750 1460 772">The shaft seal is according to EN 12756. Pipework connection is via PN 16 DIN flanges (EN 1092-2 and ISO 7005-2).</p> <p data-bbox="199 795 1388 851">Each power head is fitted with a fan-cooled, permanent-magnet synchronous motor of identical size. The motor efficiency is classified as IE5 in accordance with IEC 60034-30-2.</p> <p data-bbox="199 884 303 907">Controls:</p> <p data-bbox="199 918 638 940">Frequency converter: Built-in</p> <p data-bbox="199 974 279 996">Liquid:</p> <p data-bbox="199 1008 638 1030">Pumped liquid: Water</p> <p data-bbox="199 1041 702 1064">Liquid temperature range: -25 .. 120 °C</p> <p data-bbox="199 1075 630 1097">Selected liquid temperature: 20 °C</p> <p data-bbox="199 1108 694 1131">Density: 998.2 kg/m³</p> <p data-bbox="199 1153 319 1176">Technical:</p> <p data-bbox="199 1187 821 1209">Pump speed on which pump data are based: 2920 rpm</p> <p data-bbox="199 1220 670 1243">Rated flow: 17.3 m³/h</p> <p data-bbox="199 1254 638 1276">Rated head: 34.6 m</p> <p data-bbox="199 1288 654 1310">Actual impeller diameter: 188 mm</p> <p data-bbox="199 1321 638 1344">Code for shaft seal: BQQE</p> <p data-bbox="199 1355 774 1377">Curve tolerance: ISO9906:2012 3B2</p> <p data-bbox="199 1400 311 1422">Materials:</p> <p data-bbox="199 1433 734 1512">Pump housing: Cast iron EN-GJL-250 ASTM class 35</p> <p data-bbox="199 1523 734 1601">Impeller: Cast iron EN-GJL-200 ASTM class 30</p> <p data-bbox="199 1635 327 1657">Installation:</p> <p data-bbox="199 1668 694 1691">Range of ambient temperature: -20 .. 50 °C</p> <p data-bbox="199 1702 638 1724">Maximum operating pressure: 16 bar</p> <p data-bbox="199 1736 734 1758">Max pressure at stated temp: 16 bar / 120 °C</p> <p data-bbox="199 1769 606 1792">Type of connection: DIN</p> <p data-bbox="199 1803 638 1825">Size of connection: DN 32</p> <p data-bbox="199 1836 638 1859">Pressure rating for connection: PN 16</p> <p data-bbox="199 1870 654 1892">Port-to-port length: 440 mm</p> <p data-bbox="199 1904 638 1926">Flange size for motor: FF215</p> <p data-bbox="199 1948 367 1971">Electrical data:</p> <p data-bbox="199 1982 646 2004">Motor type: 112MC</p> <p data-bbox="199 2016 606 2038">IE Efficiency class: IE5</p> <p data-bbox="199 2049 622 2072">Rated power - P2: 4 kW</p> <p data-bbox="199 2083 630 2105">Mains frequency: 50 Hz</p> <p data-bbox="199 2116 718 2139">Rated voltage: 3 x 380-500 V</p>

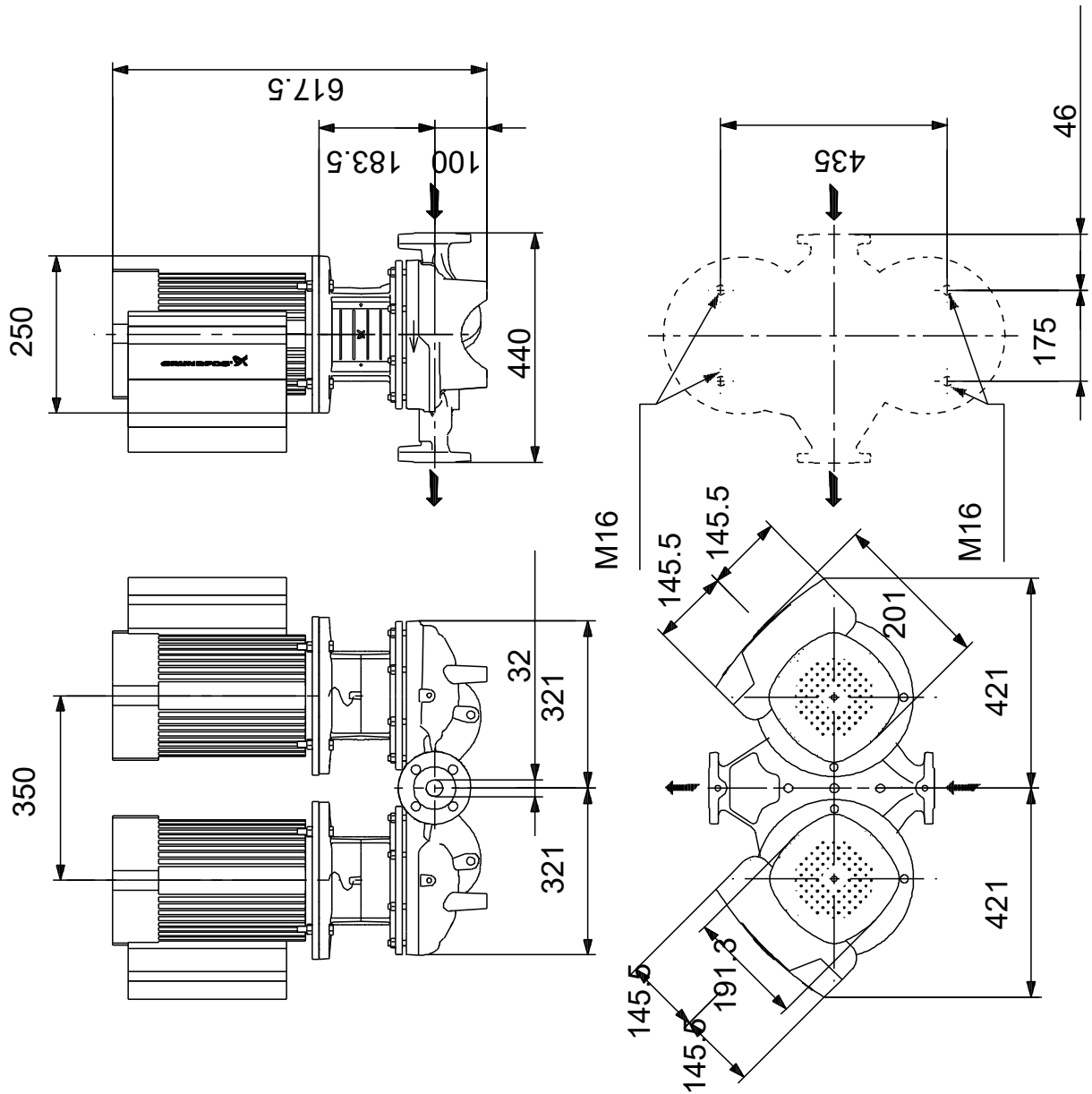
Qty.	Description
1	<p>Rated current: 7.60-6.20 A Cos phi - power factor: 0.92-0.87 Rated speed: 360-4000 rpm Efficiency: 92.2% Motor efficiency at full load: 92.2 % Number of poles: 2 Enclosure class (IEC 34-5): IP55 Insulation class (IEC 85): F Motor No: 98971187</p> <p>Others: Minimum efficiency index, MEI ≥: 0.50 Net weight: 129 kg Gross weight: 154 kg Shipping volume: 0.65 m³ Country of origin: HU Custom tariff no.: 84137065</p>

Description	Value
General information:	
Product name:	TPED 32-460/2 A-F-A-BQQE-KDB
Product No:	On request
EAN number:	On request
Technical:	
Pump speed on which pump data are based:	2920 rpm
Rated flow:	17.3 m ³ /h
Rated head:	34.6 m
Maximum head:	460 dm
Actual impeller diameter:	188 mm
Code for shaft seal:	BQQE
Curve tolerance:	ISO9906:2012 3B2
Pump version:	A
Materials:	
Pump housing:	Cast iron
Pump housing:	EN-GJL-250
Pump housing:	ASTM class 35
Impeller:	Cast iron
Impeller:	EN-GJL-200
Impeller:	ASTM class 30
Material code:	A
Installation:	
Range of ambient temperature:	-20 .. 50 °C
Maximum operating pressure:	16 bar
Max pressure at stated temp:	16 bar / 120 °C
Type of connection:	DIN
Size of connection:	DN 32
Pressure rating for connection:	PN 16
Port-to-port length:	440 mm
Flange size for motor:	FF215
Connect code:	F
Liquid:	
Pumped liquid:	Water
Liquid temperature range:	-25 .. 120 °C
Selected liquid temperature:	20 °C
Density:	998.2 kg/m ³
Electrical data:	
Motor type:	112MC
IE Efficiency class:	IE5
Rated power - P2:	4 kW
Mains frequency:	50 Hz
Rated voltage:	3 x 380-500 V
Rated current:	7.60-6.20 A
Cos phi - power factor:	0.92-0.87
Rated speed:	360-4000 rpm
Efficiency:	92.2%
Motor efficiency at full load:	92.2 %
Number of poles:	2
Enclosure class (IEC 34-5):	IP55
Insulation class (IEC 85):	F
Built-in motor protection:	ELEC
Motor No:	98971187
Controls:	
Control panel:	HMI200 - Standard
Function Module:	FM300 - Advanced
Frequency converter:	Built-in
Others:	
Minimum efficiency index, MEI ≥:	0.50
Net weight:	129 kg
Gross weight:	154 kg
Shipping volume:	0.65 m ³
Config. file no:	99100550



Description	Value
Country of origin:	HU
Custom tariff no.:	84137065

On request TPED 32-460/2 A-F-A-BQQE-KDB 50 Hz



Note! All units are in [mm] unless others are stated.
 Disclaimer: This simplified dimensional drawing does not show all details.

