

Qty. Description1 **TPED 40-300/2 A-F-A-BQQE-JDB****Note! Product picture may differ from actual product**

Product No.: On request

Single-stage, close-coupled, volute twin-head pump with in-line suction and discharge ports of identical diameter. The twin-head pump is designed with two parallel power-heads.

The pump is of the top-pull-out design, i.e. the power head (motor, pump head and impeller) can be removed for maintenance or service while the pump housing remains in the pipework.

Each power head is fitted with an unbalanced rubber bellows seal.

The shaft seal is according to EN 12756. Pipework connection is via PN 16 DIN flanges (EN 1092-2 and ISO 7005-2).

Each power head is fitted with a fan-cooled, permanent-magnet synchronous motor of identical size. The motor efficiency is classified as IE5 in accordance with IEC 60034-30-2.

Controls:

Frequency converter: Built-in

Liquid:

Pumped liquid: Water

Liquid temperature range: -25 .. 120 °C

Selected liquid temperature: 20 °C

Density: 998.2 kg/m³**Technical:**

Pump speed on which pump data are based: 2910 rpm

Rated flow: 23.5 m³/h

Rated head: 20.7 m

Actual impeller diameter: 151 mm

Code for shaft seal: BQQE

Curve tolerance: ISO9906:2012 3B2

Materials:Pump housing: Cast iron
EN-GJL-250
ASTM class 35Impeller: Cast iron
EN-GJL-200
ASTM class 30**Installation:**

Range of ambient temperature: -20 .. 50 °C

Maximum operating pressure: 16 bar

Max pressure at stated temp: 16 bar / 120 °C

Type of connection: DIN

Size of connection: DN 40

Pressure rating for connection: PN 16

Port-to-port length: 340 mm

Flange size for motor: FF215

Electrical data:

Motor type: 100LA

IE Efficiency class: IE5

Rated power - P2: 3 kW

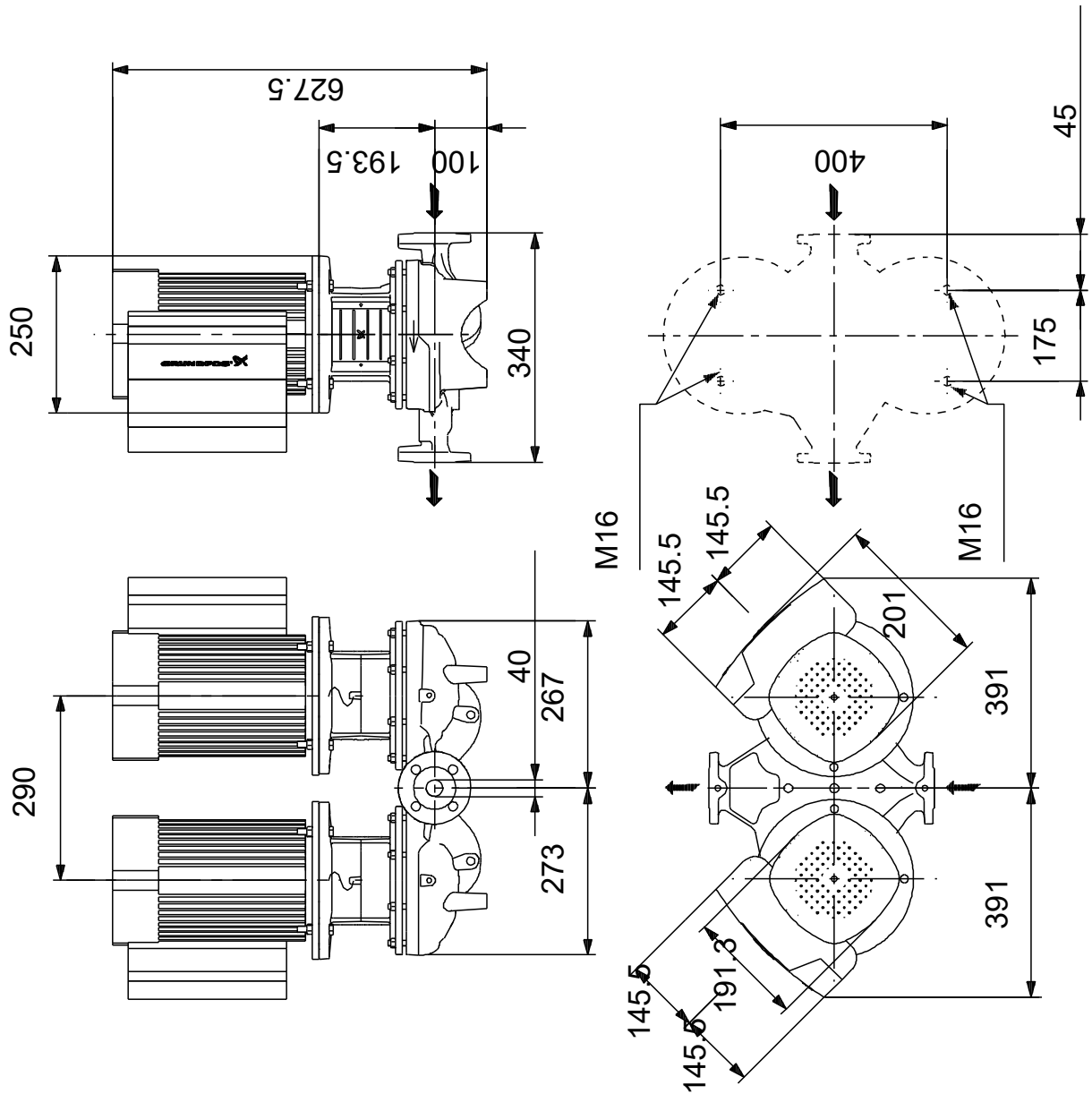
Mains frequency: 50 Hz

Rated voltage: 3 x 380-500 V

Qty.	Description
1	<p>Rated current: 5.80-4.80 A Cos phi - power factor: 0.91-0.86 Rated speed: 360-4000 rpm Efficiency: 90.7% Motor efficiency at full load: 90.7 % Number of poles: 2 Enclosure class (IEC 34-5): IP55 Insulation class (IEC 85): F Motor No: 98971186</p> <p>Others: Minimum efficiency index, MEI ≥: 0.52 Net weight: 113 kg Gross weight: 134 kg Shipping volume: 0.518 m³ Country of origin: HU Custom tariff no.: 84137065</p>

Description	Value
Country of origin:	HU
Custom tariff no.:	84137065

On request TPED 40-300/2 A-F-A-BQQE-JDB 50 Hz



Note! All units are in [mm] unless others are stated.
 Disclaimer: This simplified dimensional drawing does not show all details.

