
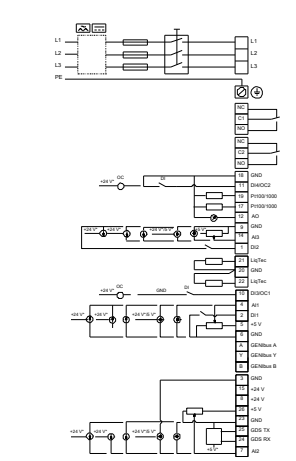
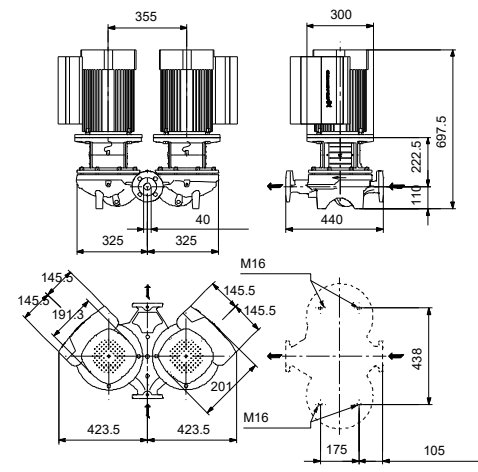
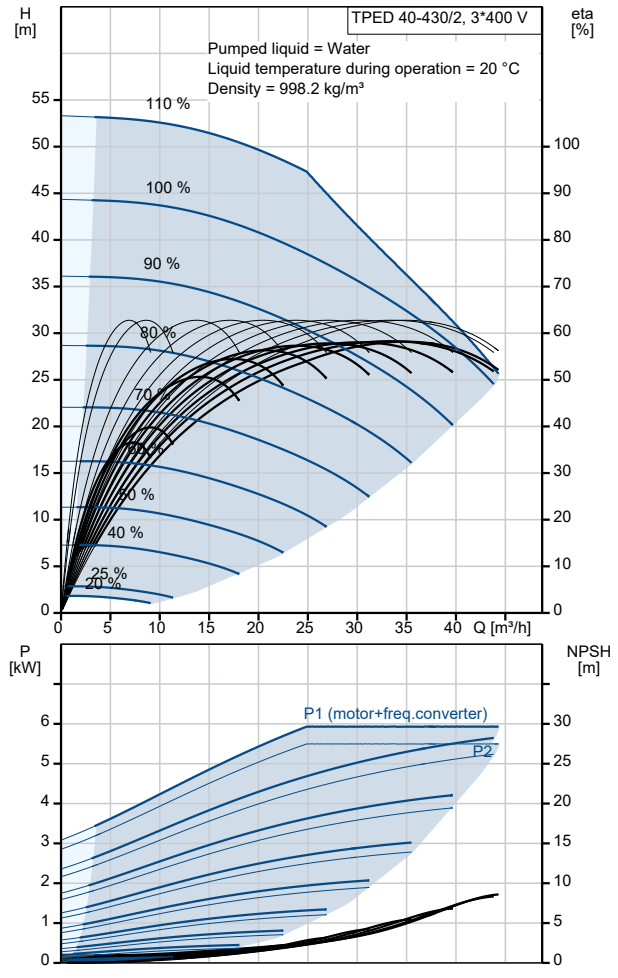


Qty.	Description
1	<p data-bbox="199 159 582 190"><b>TPED 40-430/2 A-F-A-BQQE-LDB</b></p>  <p data-bbox="590 504 1061 526"><b>Note! Product picture may differ from actual product</b></p> <p data-bbox="199 537 478 571">Product No.: On request</p> <p data-bbox="199 593 1460 649">Single-stage, close-coupled, volute twin-head pump with in-line suction and discharge ports of identical diameter. The twin-head pump is designed with two parallel power-heads.</p> <p data-bbox="199 649 1404 705">The pump is of the top-pull-out design, i.e. the power head (motor, pump head and impeller) can be removed for maintenance or service while the pump housing remains in the pipework.</p> <p data-bbox="199 705 909 739">Each power head is fitted with an unbalanced rubber bellows seal.</p> <p data-bbox="199 739 1460 772">The shaft seal is according to EN 12756. Pipework connection is via PN 16 DIN flanges (EN 1092-2 and ISO 7005-2).</p> <p data-bbox="199 795 1396 851">Each power head is fitted with a fan-cooled, permanent-magnet synchronous motor of identical size. The motor efficiency is classified as IE5 in accordance with IEC 60034-30-2.</p> <p data-bbox="199 884 303 918"><b>Controls:</b></p> <p data-bbox="199 918 646 952">Frequency converter: Built-in</p> <p data-bbox="199 974 279 1008"><b>Liquid:</b></p> <p data-bbox="199 1008 638 1041">Pumped liquid: Water</p> <p data-bbox="199 1041 710 1075">Liquid temperature range: -25 .. 120 °C</p> <p data-bbox="199 1075 630 1108">Selected liquid temperature: 20 °C</p> <p data-bbox="199 1108 702 1142">Density: 998.2 kg/m<sup>3</sup></p> <p data-bbox="199 1153 319 1187"><b>Technical:</b></p> <p data-bbox="199 1187 821 1220">Pump speed on which pump data are based: 2920 rpm</p> <p data-bbox="199 1220 678 1254">Rated flow: 28.5 m<sup>3</sup>/h</p> <p data-bbox="199 1254 646 1288">Rated head: 33.2 m</p> <p data-bbox="199 1288 662 1321">Actual impeller diameter: 186 mm</p> <p data-bbox="199 1321 646 1355">Code for shaft seal: BQQE</p> <p data-bbox="199 1355 774 1388">Curve tolerance: ISO9906:2012 3B2</p> <p data-bbox="199 1400 311 1433"><b>Materials:</b></p> <p data-bbox="199 1433 734 1512">Pump housing: Cast iron EN-GJL-250 ASTM class 35</p> <p data-bbox="199 1512 734 1601">Impeller: Cast iron EN-GJL-200 ASTM class 30</p> <p data-bbox="199 1635 327 1668"><b>Installation:</b></p> <p data-bbox="199 1668 694 1702">Range of ambient temperature: -20 .. 50 °C</p> <p data-bbox="199 1702 646 1736">Maximum operating pressure: 16 bar</p> <p data-bbox="199 1736 734 1769">Max pressure at stated temp: 16 bar / 120 °C</p> <p data-bbox="199 1769 614 1803">Type of connection: DIN</p> <p data-bbox="199 1803 646 1836">Size of connection: DN 40</p> <p data-bbox="199 1836 646 1870">Pressure rating for connection: PN 16</p> <p data-bbox="199 1870 662 1904">Port-to-port length: 440 mm</p> <p data-bbox="199 1904 646 1937">Flange size for motor: FF265</p> <p data-bbox="199 1948 367 1982"><b>Electrical data:</b></p> <p data-bbox="199 1982 646 2016">Motor type: 132SE</p> <p data-bbox="199 2016 614 2049">IE Efficiency class: IE5</p> <p data-bbox="199 2049 646 2083">Rated power - P2: 5.5 kW</p> <p data-bbox="199 2083 630 2116">Mains frequency: 50 Hz</p> <p data-bbox="199 2116 726 2150">Rated voltage: 3 x 380-500 V</p>

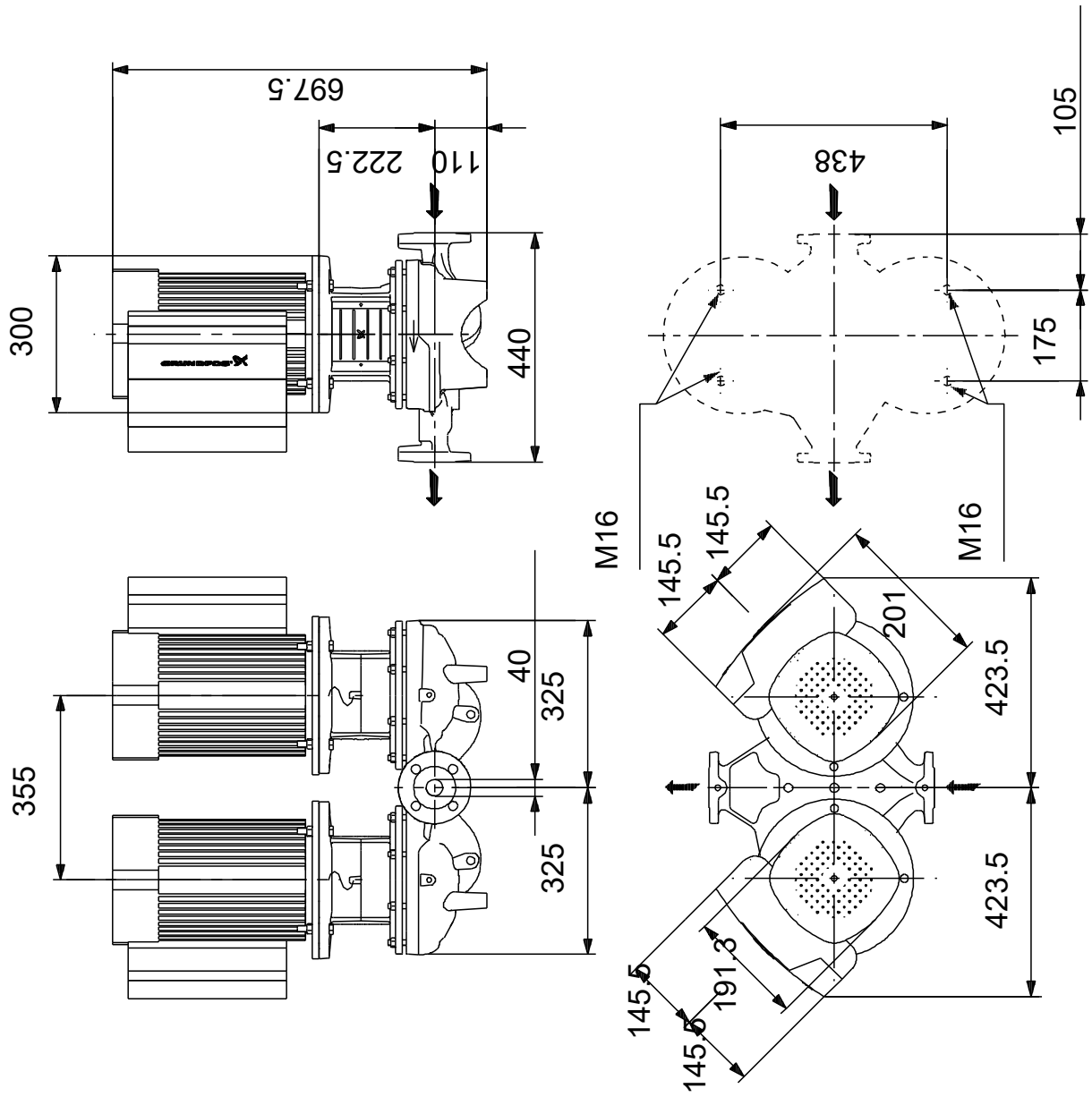
Qty.	Description
1	<p>Rated current: 10.3-8.20 A  Cos phi - power factor: 0.92-0.88  Rated speed: 360-4000 rpm  Efficiency: 92.7%  Motor efficiency at full load: 92.7 %  Number of poles: 2  Enclosure class (IEC 34-5): IP55  Insulation class (IEC 85): F  Motor No: 98971079</p> <p>Others:  Minimum efficiency index, MEI ≥: 0.70  Net weight: 173 kg  Gross weight: 198 kg  Shipping volume: 0.65 m<sup>3</sup>  Country of origin: HU  Custom tariff no.: 84137065</p>

Description	Value
<b>General information:</b>	
Product name:	TPED 40-430/2 A-F-A-BQQE-LDB
Product No:	On request
EAN number:	On request
<b>Technical:</b>	
Pump speed on which pump data are based:	2920 rpm
Rated flow:	28.5 m³/h
Rated head:	33.2 m
Maximum head:	430 dm
Actual impeller diameter:	186 mm
Code for shaft seal:	BQQE
Curve tolerance:	ISO9906:2012 3B2
Pump version:	A
<b>Materials:</b>	
Pump housing:	Cast iron
Pump housing:	EN-GJL-250
Pump housing:	ASTM class 35
Impeller:	Cast iron
Impeller:	EN-GJL-200
Impeller:	ASTM class 30
Material code:	A
<b>Installation:</b>	
Range of ambient temperature:	-20 .. 50 °C
Maximum operating pressure:	16 bar
Max pressure at stated temp:	16 bar / 120 °C
Type of connection:	DIN
Size of connection:	DN 40
Pressure rating for connection:	PN 16
Port-to-port length:	440 mm
Flange size for motor:	FF265
Connect code:	F
<b>Liquid:</b>	
Pumped liquid:	Water
Liquid temperature range:	-25 .. 120 °C
Selected liquid temperature:	20 °C
Density:	998.2 kg/m³
<b>Electrical data:</b>	
Motor type:	132SE
IE Efficiency class:	IE5
Rated power - P2:	5.5 kW
Mains frequency:	50 Hz
Rated voltage:	3 x 380-500 V
Rated current:	10.3-8.20 A
Cos phi - power factor:	0.92-0.88
Rated speed:	360-4000 rpm
Efficiency:	92.7%
Motor efficiency at full load:	92.7 %
Number of poles:	2
Enclosure class (IEC 34-5):	IP55
Insulation class (IEC 85):	F
Built-in motor protection:	ELEC
Motor No:	98971079
<b>Controls:</b>	
Control panel:	HMI200 - Standard
Function Module:	FM300 - Advanced
Frequency converter:	Built-in
<b>Others:</b>	
Minimum efficiency index, MEI ≥:	0.70
Net weight:	173 kg
Gross weight:	198 kg
Shipping volume:	0.65 m³
Config. file no:	99100551



Description	Value
Country of origin:	HU
Custom tariff no.:	84137065

**On request TPED 40-430/2 A-F-A-BQQE-LDB 50 Hz**



Note! All units are in [mm] unless others are stated.  
 Disclaimer: This simplified dimensional drawing does not show all details.

