
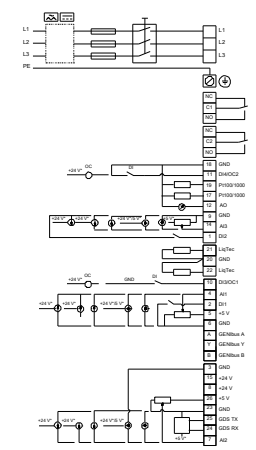
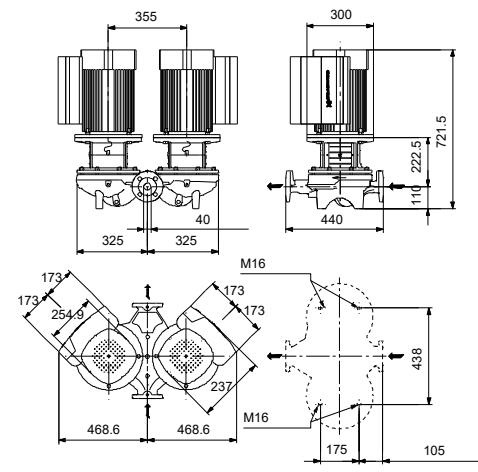
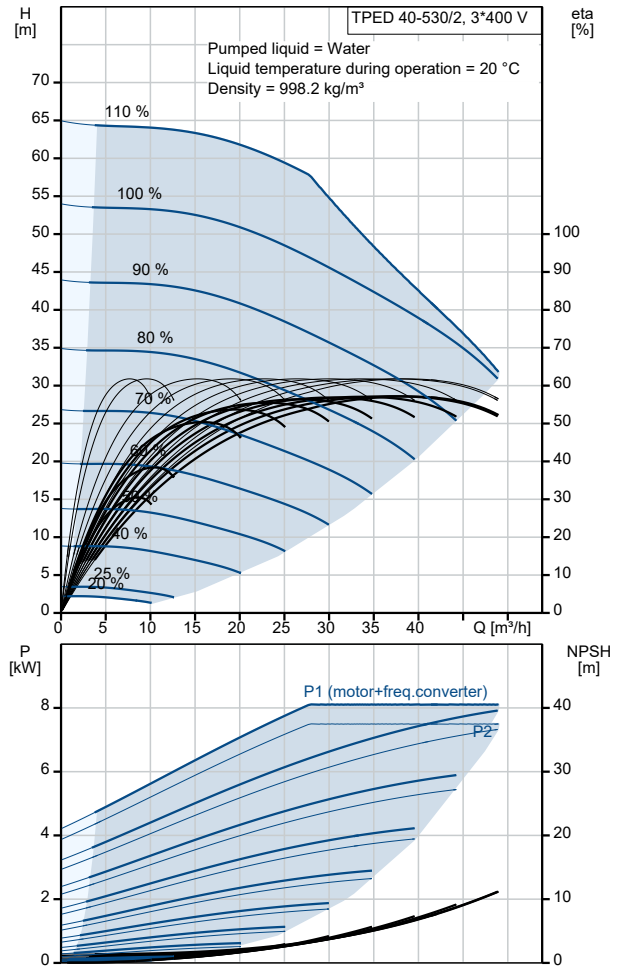


Qty.	Description
1	<p data-bbox="199 159 587 190">TPED 40-530/2 A-F-A-BQQE-MDB</p>  <p data-bbox="590 504 1066 533">Note! Product picture may differ from actual product</p> <p data-bbox="199 537 478 566">Product No.: On request</p> <p data-bbox="199 593 1460 649">Single-stage, close-coupled, volute twin-head pump with in-line suction and discharge ports of identical diameter. The twin-head pump is designed with two parallel power-heads.</p> <p data-bbox="199 654 1401 710">The pump is of the top-pull-out design, i.e. the power head (motor, pump head and impeller) can be removed for maintenance or service while the pump housing remains in the pipework.</p> <p data-bbox="199 714 909 743">Each power head is fitted with an unbalanced rubber bellows seal.</p> <p data-bbox="199 745 1460 775">The shaft seal is according to EN 12756. Pipework connection is via PN 16 DIN flanges (EN 1092-2 and ISO 7005-2).</p> <p data-bbox="199 801 1388 857">Each power head is fitted with a fan-cooled, permanent-magnet synchronous motor of identical size. The motor efficiency is classified as IE5 in accordance with IEC 60034-30-2.</p> <p data-bbox="199 884 303 913">Controls:</p> <p data-bbox="199 916 638 945">Frequency converter: Built-in</p> <p data-bbox="199 972 279 1001">Liquid:</p> <p data-bbox="199 1003 630 1032">Pumped liquid: Water</p> <p data-bbox="199 1034 702 1064">Liquid temperature range: -25 .. 120 °C</p> <p data-bbox="199 1066 630 1095">Selected liquid temperature: 20 °C</p> <p data-bbox="199 1097 694 1126">Density: 998.2 kg/m³</p> <p data-bbox="199 1153 311 1182">Technical:</p> <p data-bbox="199 1184 821 1214">Pump speed on which pump data are based: 2930 rpm</p> <p data-bbox="199 1216 670 1245">Rated flow: 30.9 m³/h</p> <p data-bbox="199 1247 638 1276">Rated head: 41.2 m</p> <p data-bbox="199 1279 654 1308">Actual impeller diameter: 202 mm</p> <p data-bbox="199 1310 638 1339">Code for shaft seal: BQQE</p> <p data-bbox="199 1341 774 1370">Curve tolerance: ISO9906:2012 3B2</p> <p data-bbox="199 1397 311 1426">Materials:</p> <p data-bbox="199 1429 734 1512">Pump housing: Cast iron EN-GJL-250 ASTM class 35</p> <p data-bbox="199 1514 734 1597">Impeller: Cast iron EN-GJL-200 ASTM class 30</p> <p data-bbox="199 1624 327 1653">Installation:</p> <p data-bbox="199 1655 694 1684">Range of ambient temperature: -20 .. 50 °C</p> <p data-bbox="199 1686 638 1715">Maximum operating pressure: 16 bar</p> <p data-bbox="199 1718 734 1747">Max pressure at stated temp: 16 bar / 120 °C</p> <p data-bbox="199 1749 606 1778">Type of connection: DIN</p> <p data-bbox="199 1780 638 1809">Size of connection: DN 40</p> <p data-bbox="199 1812 638 1841">Pressure rating for connection: PN 16</p> <p data-bbox="199 1843 654 1872">Port-to-port length: 440 mm</p> <p data-bbox="199 1874 638 1904">Flange size for motor: FF265</p> <p data-bbox="199 1930 359 1960">Electrical data:</p> <p data-bbox="199 1962 638 1991">Motor type: 132SF</p> <p data-bbox="199 1993 606 2022">IE Efficiency class: IE5</p> <p data-bbox="199 2024 646 2054">Rated power - P2: 7.5 kW</p> <p data-bbox="199 2056 630 2085">Mains frequency: 50 Hz</p> <p data-bbox="199 2087 718 2116">Rated voltage: 3 x 380-500 V</p>

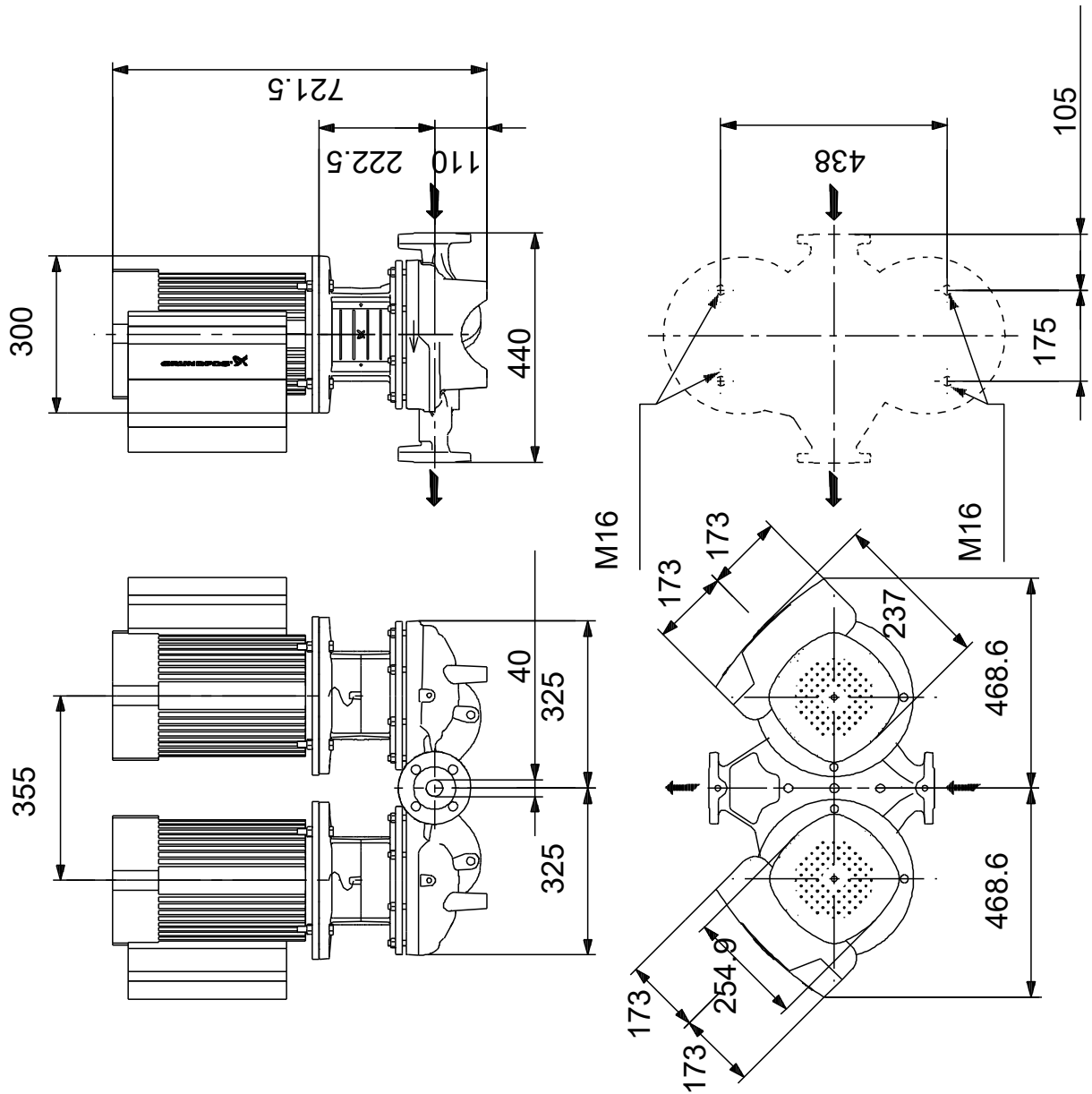
Qty.	Description
1	<p>Rated current: 14.1-11.2 A Cos phi - power factor: 0.93-0.89 Rated speed: 360-4000 rpm Efficiency: 92.5% Motor efficiency at full load: 92.5 % Number of poles: 2 Enclosure class (IEC 34-5): IP55 Insulation class (IEC 85): F Motor No: 98971080</p> <p>Others: Minimum efficiency index, MEI ≥: 0.70 Net weight: 187 kg Gross weight: 218 kg Shipping volume: 1.14 m³ Country of origin: HU Custom tariff no.: 84137065</p>

Description	Value
General information:	
Product name:	TPED 40-530/2 A-F-A-BQQE-MDB
Product No:	On request
EAN number:	On request
Technical:	
Pump speed on which pump data are based:	2930 rpm
Rated flow:	30.9 m ³ /h
Rated head:	41.2 m
Maximum head:	530 dm
Actual impeller diameter:	202 mm
Code for shaft seal:	BQQE
Curve tolerance:	ISO9906:2012 3B2
Pump version:	A
Materials:	
Pump housing:	Cast iron
Pump housing:	EN-GJL-250
Pump housing:	ASTM class 35
Impeller:	Cast iron
Impeller:	EN-GJL-200
Impeller:	ASTM class 30
Material code:	A
Installation:	
Range of ambient temperature:	-20 .. 50 °C
Maximum operating pressure:	16 bar
Max pressure at stated temp:	16 bar / 120 °C
Type of connection:	DIN
Size of connection:	DN 40
Pressure rating for connection:	PN 16
Port-to-port length:	440 mm
Flange size for motor:	FF265
Connect code:	F
Liquid:	
Pumped liquid:	Water
Liquid temperature range:	-25 .. 120 °C
Selected liquid temperature:	20 °C
Density:	998.2 kg/m ³
Electrical data:	
Motor type:	132SF
IE Efficiency class:	IE5
Rated power - P2:	7.5 kW
Mains frequency:	50 Hz
Rated voltage:	3 x 380-500 V
Rated current:	14.1-11.2 A
Cos phi - power factor:	0.93-0.89
Rated speed:	360-4000 rpm
Efficiency:	92.5%
Motor efficiency at full load:	92.5 %
Number of poles:	2
Enclosure class (IEC 34-5):	IP55
Insulation class (IEC 85):	F
Built-in motor protection:	ELEC
Motor No:	98971080
Controls:	
Control panel:	HMI200 - Standard
Function Module:	FM300 - Advanced
Frequency converter:	Built-in
Others:	
Minimum efficiency index, MEI ≥:	0.70
Net weight:	187 kg
Gross weight:	218 kg
Shipping volume:	1.14 m ³
Config. file no:	99100552



Description	Value
Country of origin:	HU
Custom tariff no.:	84137065

On request TPED 40-530/2 A-F-A-BQQE-MDB 50 Hz



Note! All units are in [mm] unless others are stated.
 Disclaimer: This simplified dimensional drawing does not show all details.

