
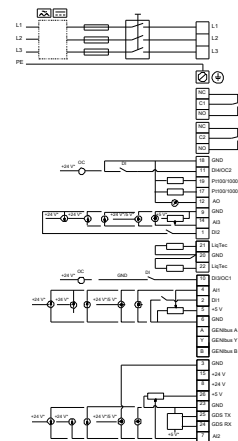
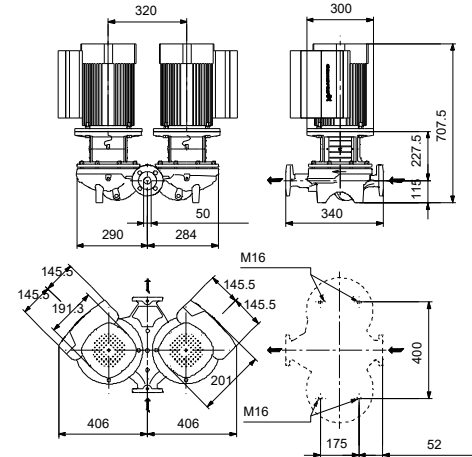
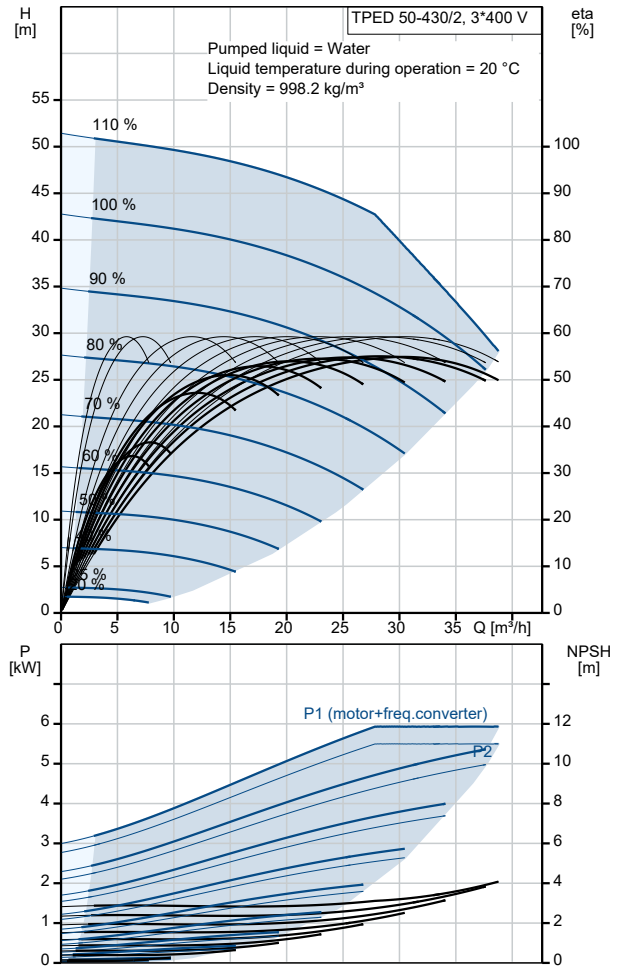


Qty.	Description
1	<p data-bbox="199 159 582 190">TPED 50-430/2 A-F-A-BQQE-LDB</p>  <p data-bbox="590 504 1061 526">Note! Product picture may differ from actual product</p> <p data-bbox="199 537 478 571">Product No.: On request</p> <p data-bbox="199 593 1460 649">Single-stage, close-coupled, volute twin-head pump with in-line suction and discharge ports of identical diameter. The twin-head pump is designed with two parallel power-heads.</p> <p data-bbox="199 660 1404 705">The pump is of the top-pull-out design, i.e. the power head (motor, pump head and impeller) can be removed for maintenance or service while the pump housing remains in the pipework.</p> <p data-bbox="199 716 909 739">Each power head is fitted with an unbalanced rubber bellows seal.</p> <p data-bbox="199 750 1460 772">The shaft seal is according to EN 12756. Pipework connection is via PN 16 DIN flanges (EN 1092-2 and ISO 7005-2).</p> <p data-bbox="199 795 1388 851">Each power head is fitted with a fan-cooled, permanent-magnet synchronous motor of identical size. The motor efficiency is classified as IE5 in accordance with IEC 60034-30-2.</p> <p data-bbox="199 884 303 907">Controls:</p> <p data-bbox="199 918 638 940">Frequency converter: Built-in</p> <p data-bbox="199 974 279 996">Liquid:</p> <p data-bbox="199 1008 638 1030">Pumped liquid: Water</p> <p data-bbox="199 1041 702 1064">Liquid temperature range: -25 .. 120 °C</p> <p data-bbox="199 1075 630 1097">Selected liquid temperature: 20 °C</p> <p data-bbox="199 1108 694 1131">Density: 998.2 kg/m³</p> <p data-bbox="199 1164 311 1187">Technical:</p> <p data-bbox="199 1198 821 1220">Pump speed on which pump data are based: 2920 rpm</p> <p data-bbox="199 1232 670 1254">Rated flow: 32.7 m³/h</p> <p data-bbox="199 1265 638 1288">Rated head: 29.6 m</p> <p data-bbox="199 1299 654 1321">Actual impeller diameter: 177 mm</p> <p data-bbox="199 1332 638 1355">Code for shaft seal: BQQE</p> <p data-bbox="199 1366 774 1388">Curve tolerance: ISO9906:2012 3B2</p> <p data-bbox="199 1422 311 1444">Materials:</p> <p data-bbox="199 1456 734 1512">Pump housing: Cast iron EN-GJL-250 ASTM class 35</p> <p data-bbox="199 1523 734 1601">Impeller: Cast iron EN-GJL-200 ASTM class 30</p> <p data-bbox="199 1635 327 1657">Installation:</p> <p data-bbox="199 1668 694 1691">Range of ambient temperature: -20 .. 50 °C</p> <p data-bbox="199 1702 638 1724">Maximum operating pressure: 16 bar</p> <p data-bbox="199 1736 734 1758">Max pressure at stated temp: 16 bar / 120 °C</p> <p data-bbox="199 1769 606 1792">Type of connection: DIN</p> <p data-bbox="199 1803 638 1825">Size of connection: DN 50</p> <p data-bbox="199 1836 638 1859">Pressure rating for connection: PN 16</p> <p data-bbox="199 1870 654 1892">Port-to-port length: 340 mm</p> <p data-bbox="199 1904 638 1926">Flange size for motor: FF265</p> <p data-bbox="199 1960 359 1982">Electrical data:</p> <p data-bbox="199 1993 638 2016">Motor type: 132SE</p> <p data-bbox="199 2027 606 2049">IE Efficiency class: IE5</p> <p data-bbox="199 2060 638 2083">Rated power - P2: 5.5 kW</p> <p data-bbox="199 2094 630 2116">Mains frequency: 50 Hz</p> <p data-bbox="199 2128 718 2150">Rated voltage: 3 x 380-500 V</p>

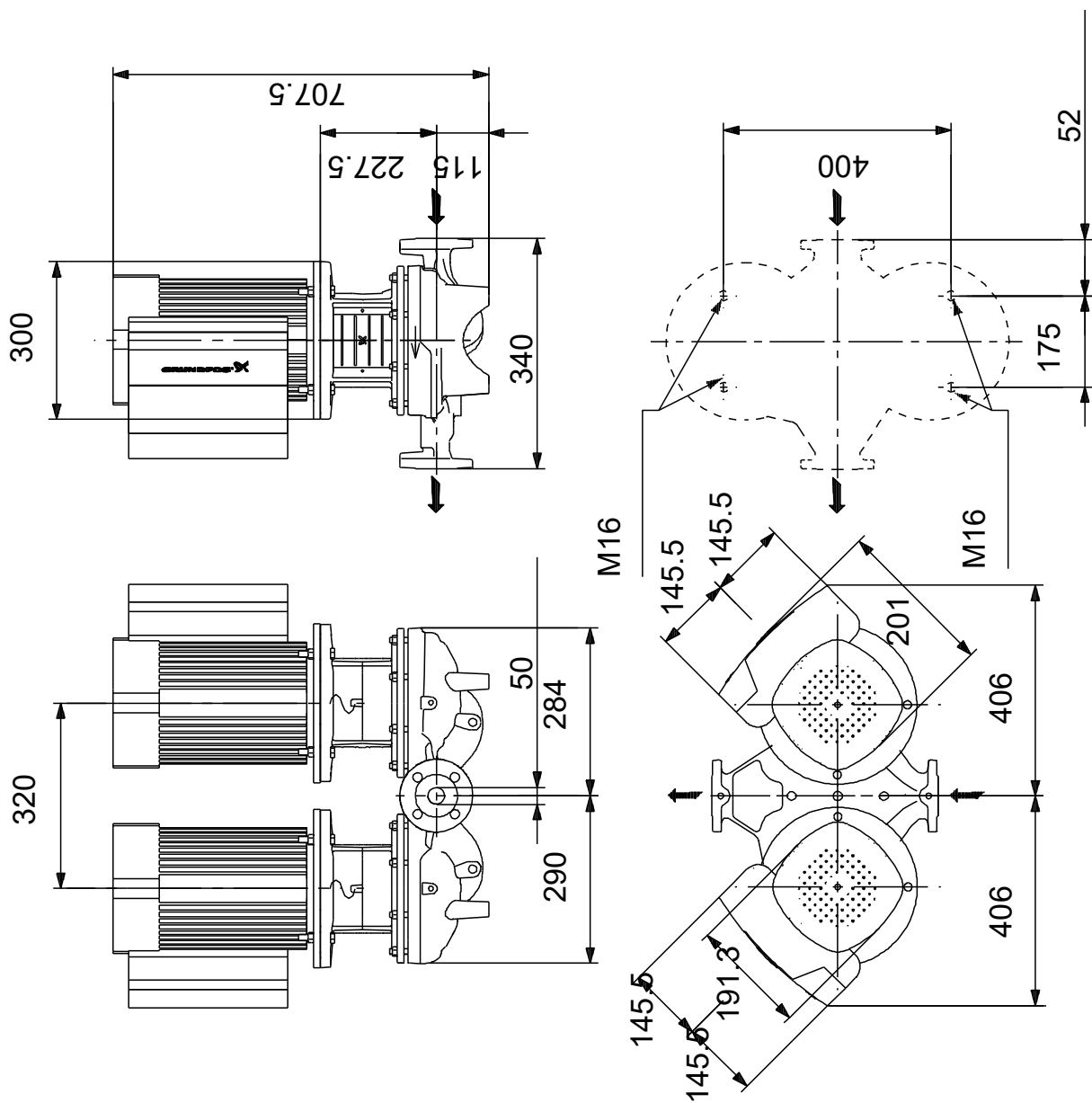
Qty.	Description
1	<p>Rated current: 10.3-8.20 A Cos phi - power factor: 0.92-0.88 Rated speed: 360-4000 rpm Efficiency: 92.7% Motor efficiency at full load: 92.7 % Number of poles: 2 Enclosure class (IEC 34-5): IP55 Insulation class (IEC 85): F Motor No: 98971079</p> <p>Others: Minimum efficiency index, MEI ≥: 0.70 Net weight: 163 kg Gross weight: 184 kg Shipping volume: 0.518 m³ Country of origin: HU Custom tariff no.: 84137065</p>

Description	Value
General information:	
Product name:	TPED 50-430/2 A-F-A-BQQE-LDB
Product No:	On request
EAN number:	On request
Technical:	
Pump speed on which pump data are based:	2920 rpm
Rated flow:	32.7 m³/h
Rated head:	29.6 m
Maximum head:	430 dm
Actual impeller diameter:	177 mm
Code for shaft seal:	BQQE
Curve tolerance:	ISO9906:2012 3B2
Pump version:	A
Materials:	
Pump housing:	Cast iron
Pump housing:	EN-GJL-250
Pump housing:	ASTM class 35
Impeller:	Cast iron
Impeller:	EN-GJL-200
Impeller:	ASTM class 30
Material code:	A
Installation:	
Range of ambient temperature:	-20 .. 50 °C
Maximum operating pressure:	16 bar
Max pressure at stated temp:	16 bar / 120 °C
Type of connection:	DIN
Size of connection:	DN 50
Pressure rating for connection:	PN 16
Port-to-port length:	340 mm
Flange size for motor:	FF265
Connect code:	F
Liquid:	
Pumped liquid:	Water
Liquid temperature range:	-25 .. 120 °C
Selected liquid temperature:	20 °C
Density:	998.2 kg/m³
Electrical data:	
Motor type:	132SE
IE Efficiency class:	IE5
Rated power - P2:	5.5 kW
Mains frequency:	50 Hz
Rated voltage:	3 x 380-500 V
Rated current:	10.3-8.20 A
Cos phi - power factor:	0.92-0.88
Rated speed:	360-4000 rpm
Efficiency:	92.7%
Motor efficiency at full load:	92.7 %
Number of poles:	2
Enclosure class (IEC 34-5):	IP55
Insulation class (IEC 85):	F
Built-in motor protection:	ELEC
Motor No:	98971079
Controls:	
Control panel:	HMI200 - Standard
Function Module:	FM300 - Advanced
Frequency converter:	Built-in
Others:	
Minimum efficiency index, MEI ≥:	0.70
Net weight:	163 kg
Gross weight:	184 kg
Shipping volume:	0.518 m³
Config. file no:	99100551



Description	Value
Country of origin:	HU
Custom tariff no.:	84137065

On request TPED 50-430/2 A-F-A-BQQE-LDB 50 Hz



Note! All units are in [mm] unless others are stated.
Disclaimer: This simplified dimensional drawing does not show all details.

Order Data:

Position	Your pos.	Product name	Amount	Product No	Total
		TPED 50-430/2	1	On request	Price on request