
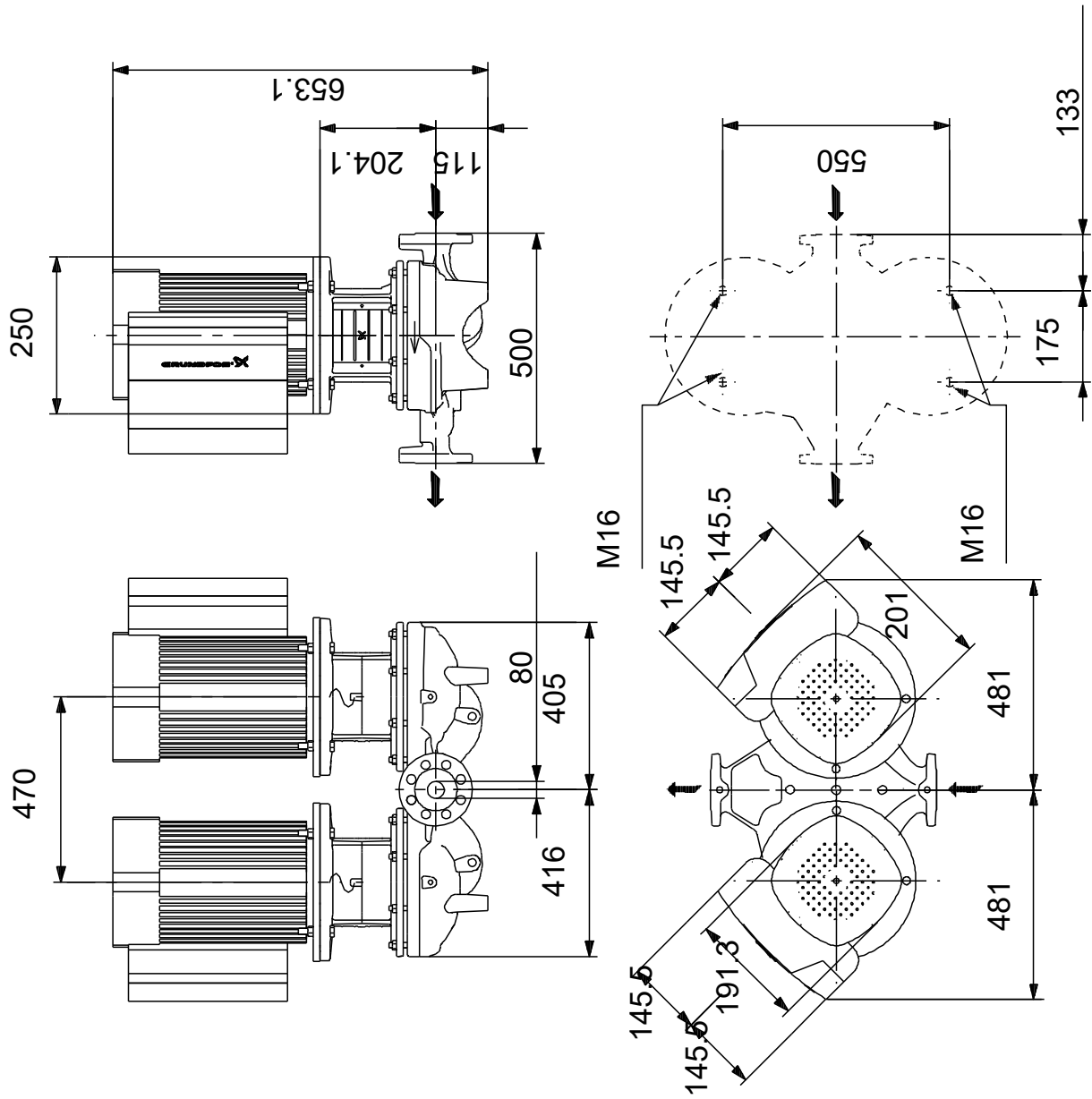


Qty.	Description
1	<p data-bbox="199 159 579 188">TPED 80-150/4 A-F-A-BQQE-JDA</p> <div data-bbox="236 215 544 528" style="text-align: center;">  </div> <p data-bbox="592 506 1064 530" style="text-align: center;">Note! Product picture may differ from actual product</p> <p data-bbox="199 539 480 566">Product No.: On request</p> <p data-bbox="199 600 1458 651">Single-stage, close-coupled, volute twin-head pump with in-line suction and discharge ports of identical diameter. The twin-head pump is designed with two parallel power-heads.</p> <p data-bbox="199 658 1401 710">The pump is of the top-pull-out design, i.e. the power head (motor, pump head and impeller) can be removed for maintenance or service while the pump housing remains in the pipework.</p> <p data-bbox="199 716 911 743">Each power head is fitted with an unbalanced rubber bellows seal.</p> <p data-bbox="199 750 1458 777">The shaft seal is according to EN 12756. Pipework connection is via PN 16 DIN flanges (EN 1092-2 and ISO 7005-2).</p> <p data-bbox="199 804 1390 855">Each power head is fitted with a fan-cooled, permanent-magnet synchronous motor of identical size. The motor efficiency is classified as IE5 in accordance with IEC 60034-30-2.</p> <p data-bbox="199 891 300 918">Controls:</p> <p data-bbox="199 925 639 952">Frequency converter: Built-in</p> <p data-bbox="199 981 276 1008">Liquid:</p> <p data-bbox="199 1014 632 1041">Pumped liquid: Water</p> <p data-bbox="199 1048 703 1075">Liquid temperature range: -25 .. 120 °C</p> <p data-bbox="199 1081 628 1108">Selected liquid temperature: 20 °C</p> <p data-bbox="199 1115 695 1142">Density: 998.2 kg/m³</p> <p data-bbox="199 1171 316 1198">Technical:</p> <p data-bbox="199 1205 820 1232">Pump speed on which pump data are based: 1455 rpm</p> <p data-bbox="199 1238 671 1265">Rated flow: 48.2 m³/h</p> <p data-bbox="199 1272 639 1299">Rated head: 12.7 m</p> <p data-bbox="199 1305 655 1332">Actual impeller diameter: 205 mm</p> <p data-bbox="199 1339 639 1366">Code for shaft seal: BQQE</p> <p data-bbox="199 1373 772 1400">Curve tolerance: ISO9906:2012 3B2</p> <p data-bbox="199 1429 309 1456">Materials:</p> <p data-bbox="199 1462 730 1514">Pump housing: Cast iron EN-GJL-250 ASTM class 35</p> <p data-bbox="199 1529 730 1603">Impeller: Cast iron EN-GJL-200 ASTM class 30</p> <p data-bbox="199 1641 325 1668">Installation:</p> <p data-bbox="199 1675 691 1702">Range of ambient temperature: -20 .. 50 °C</p> <p data-bbox="199 1709 639 1736">Maximum operating pressure: 16 bar</p> <p data-bbox="199 1742 730 1769">Max pressure at stated temp: 16 bar / 120 °C</p> <p data-bbox="199 1776 608 1803">Type of connection: DIN</p> <p data-bbox="199 1809 639 1836">Size of connection: DN 80</p> <p data-bbox="199 1843 639 1870">Pressure rating for connection: PN 16</p> <p data-bbox="199 1877 655 1904">Port-to-port length: 500 mm</p> <p data-bbox="199 1910 639 1937">Flange size for motor: FF215</p> <p data-bbox="199 1966 363 1993">Electrical data:</p> <p data-bbox="199 2000 639 2027">Motor type: 100LD</p> <p data-bbox="199 2033 608 2060">IE Efficiency class: IE5</p> <p data-bbox="199 2067 624 2094">Rated power - P2: 3 kW</p> <p data-bbox="199 2101 632 2128">Mains frequency: 50 Hz</p> <p data-bbox="199 2134 719 2161">Rated voltage: 3 x 380-500 V</p>

Qty.	Description
1	<p>Rated current: 5.80-4.60 A Cos phi - power factor: 0.91-0.86 Rated speed: 180-2200 rpm Efficiency: 90.1% Motor efficiency at full load: 90.1 % Number of poles: 4 Enclosure class (IEC 34-5): IP55 Insulation class (IEC 85): F Motor No: 98971182</p> <p>Others: Minimum efficiency index, MEI ≥: 0.70 Net weight: 169 kg Gross weight: 200 kg Shipping volume: 1.14 m³ Country of origin: HU Custom tariff no.: 84137065</p>

Description	Value
Country of origin:	HU
Custom tariff no.:	84137065

On request TPED 80-150/4 A-F-A-BQQE-JDA 50 Hz



Note! All units are in [mm] unless others are stated.
 Disclaimer: This simplified dimensional drawing does not show all details.

