
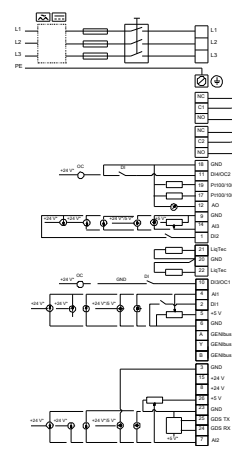
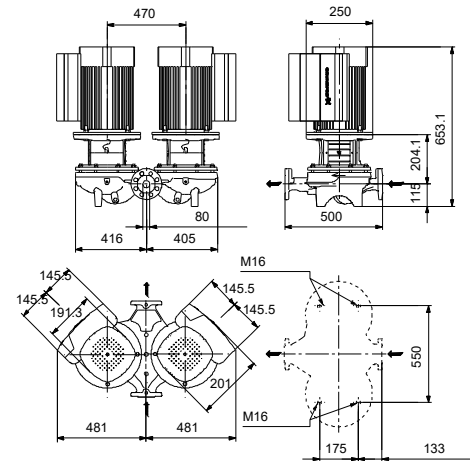
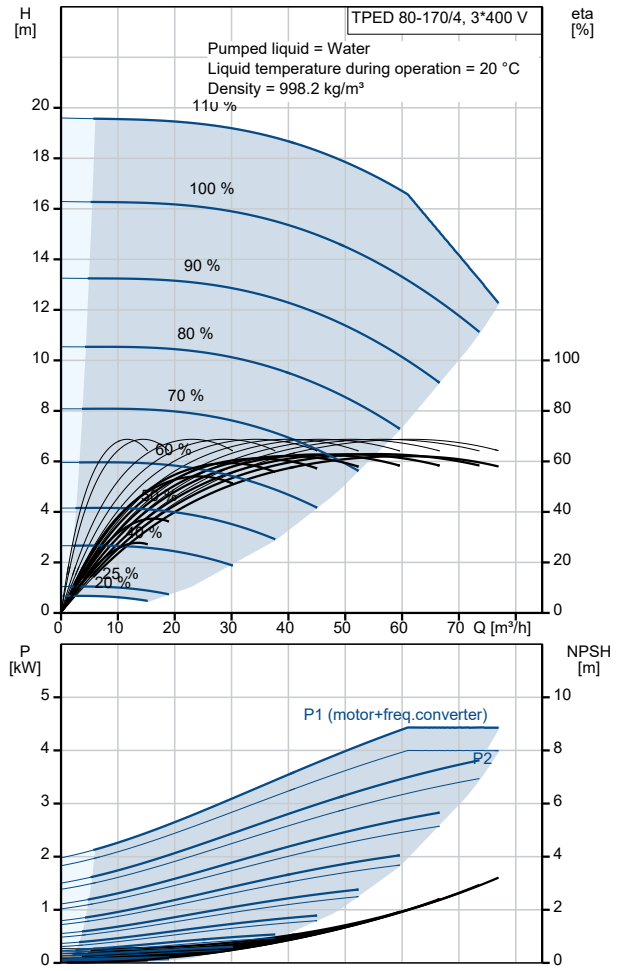


Qty.	Description
1	<p data-bbox="199 159 582 190"><b>TPED 80-170/4 A-F-A-BQQE-KDA</b></p>  <p data-bbox="590 504 1061 526"><b>Note! Product picture may differ from actual product</b></p> <p data-bbox="199 537 478 571">Product No.: On request</p> <p data-bbox="199 593 1460 649">Single-stage, close-coupled, volute twin-head pump with in-line suction and discharge ports of identical diameter. The twin-head pump is designed with two parallel power-heads.</p> <p data-bbox="199 660 1404 705">The pump is of the top-pull-out design, i.e. the power head (motor, pump head and impeller) can be removed for maintenance or service while the pump housing remains in the pipework.</p> <p data-bbox="199 716 909 739">Each power head is fitted with an unbalanced rubber bellows seal.</p> <p data-bbox="199 750 1460 772">The shaft seal is according to EN 12756. Pipework connection is via PN 16 DIN flanges (EN 1092-2 and ISO 7005-2).</p> <p data-bbox="199 795 1388 851">Each power head is fitted with a fan-cooled, permanent-magnet synchronous motor of identical size. The motor efficiency is classified as IE5 in accordance with IEC 60034-30-2.</p> <p data-bbox="199 884 303 907"><b>Controls:</b></p> <p data-bbox="199 918 638 940">Frequency converter: Built-in</p> <p data-bbox="199 974 279 996"><b>Liquid:</b></p> <p data-bbox="199 1008 638 1030">Pumped liquid: Water</p> <p data-bbox="199 1041 702 1064">Liquid temperature range: -25 .. 120 °C</p> <p data-bbox="199 1075 630 1097">Selected liquid temperature: 20 °C</p> <p data-bbox="199 1108 694 1131">Density: 998.2 kg/m<sup>3</sup></p> <p data-bbox="199 1153 319 1176"><b>Technical:</b></p> <p data-bbox="199 1187 821 1209">Pump speed on which pump data are based: 1455 rpm</p> <p data-bbox="199 1220 670 1243">Rated flow: 53.8 m<sup>3</sup>/h</p> <p data-bbox="199 1254 638 1276">Rated head: 14.4 m</p> <p data-bbox="199 1288 654 1310">Actual impeller diameter: 219 mm</p> <p data-bbox="199 1321 638 1344">Code for shaft seal: BQQE</p> <p data-bbox="199 1355 774 1377">Curve tolerance: ISO9906:2012 3B2</p> <p data-bbox="199 1400 311 1422"><b>Materials:</b></p> <p data-bbox="199 1433 734 1512">Pump housing: Cast iron EN-GJL-250 ASTM class 35</p> <p data-bbox="199 1523 734 1601">Impeller: Cast iron EN-GJL-200 ASTM class 30</p> <p data-bbox="199 1635 327 1657"><b>Installation:</b></p> <p data-bbox="199 1668 694 1691">Range of ambient temperature: -20 .. 50 °C</p> <p data-bbox="199 1702 638 1724">Maximum operating pressure: 16 bar</p> <p data-bbox="199 1736 734 1758">Max pressure at stated temp: 16 bar / 120 °C</p> <p data-bbox="199 1769 606 1792">Type of connection: DIN</p> <p data-bbox="199 1803 638 1825">Size of connection: DN 80</p> <p data-bbox="199 1836 638 1859">Pressure rating for connection: PN 16</p> <p data-bbox="199 1870 654 1892">Port-to-port length: 500 mm</p> <p data-bbox="199 1904 638 1926">Flange size for motor: FF215</p> <p data-bbox="199 1948 367 1971"><b>Electrical data:</b></p> <p data-bbox="199 1982 646 2004">Motor type: 112ME</p> <p data-bbox="199 2016 606 2038">IE Efficiency class: IE5</p> <p data-bbox="199 2049 622 2072">Rated power - P2: 4 kW</p> <p data-bbox="199 2083 630 2105">Mains frequency: 50 Hz</p> <p data-bbox="199 2116 718 2139">Rated voltage: 3 x 380-500 V</p>

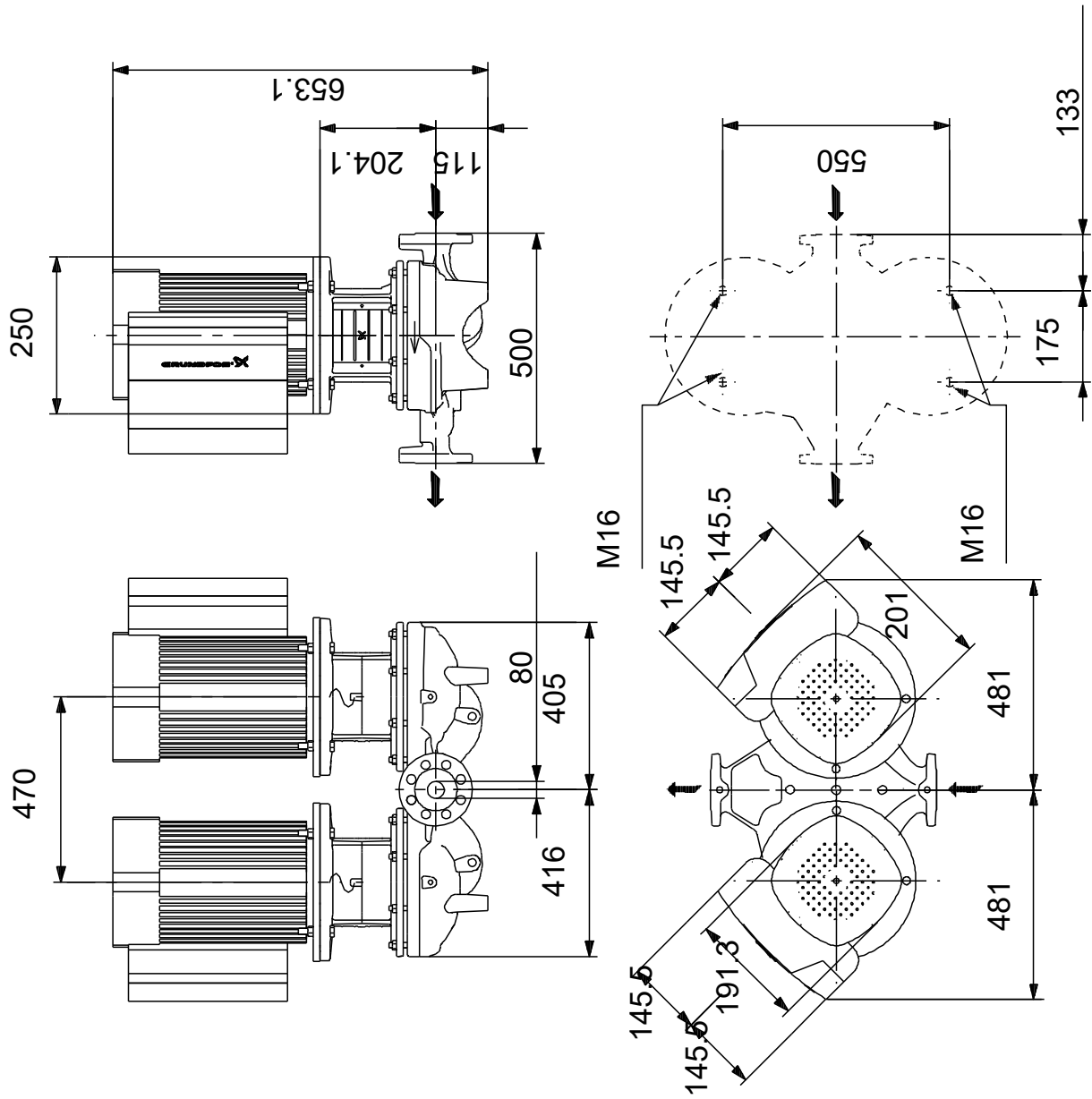
Qty.	Description
1	<p>Rated current: 7.70-6.00 A  Cos phi - power factor: 0.92-0.87  Rated speed: 180-2200 rpm  Efficiency: 90.3%  Motor efficiency at full load: 90.3 %  Number of poles: 4  Enclosure class (IEC 34-5): IP55  Insulation class (IEC 85): F  Motor No: 98971183</p> <p>Others:  Minimum efficiency index, MEI ≥: 0.70  Net weight: 175 kg  Gross weight: 206 kg  Shipping volume: 1.14 m<sup>3</sup>  Country of origin: HU  Custom tariff no.: 84137065</p>

Description	Value
<b>General information:</b>	
Product name:	TPED 80-170/4 A-F-A-BQQE-KDA
Product No:	On request
EAN number:	On request
<b>Technical:</b>	
Pump speed on which pump data are based:	1455 rpm
Rated flow:	53.8 m <sup>3</sup> /h
Rated head:	14.4 m
Maximum head:	170 dm
Actual impeller diameter:	219 mm
Code for shaft seal:	BQQE
Curve tolerance:	ISO9906:2012 3B2
Pump version:	A
<b>Materials:</b>	
Pump housing:	Cast iron
Pump housing:	EN-GJL-250
Pump housing:	ASTM class 35
Impeller:	Cast iron
Impeller:	EN-GJL-200
Impeller:	ASTM class 30
Material code:	A
<b>Installation:</b>	
Range of ambient temperature:	-20 .. 50 °C
Maximum operating pressure:	16 bar
Max pressure at stated temp:	16 bar / 120 °C
Type of connection:	DIN
Size of connection:	DN 80
Pressure rating for connection:	PN 16
Port-to-port length:	500 mm
Flange size for motor:	FF215
Connect code:	F
<b>Liquid:</b>	
Pumped liquid:	Water
Liquid temperature range:	-25 .. 120 °C
Selected liquid temperature:	20 °C
Density:	998.2 kg/m <sup>3</sup>
<b>Electrical data:</b>	
Motor type:	112ME
IE Efficiency class:	IE5
Rated power - P2:	4 kW
Mains frequency:	50 Hz
Rated voltage:	3 x 380-500 V
Rated current:	7.70-6.00 A
Cos phi - power factor:	0.92-0.87
Rated speed:	180-2200 rpm
Efficiency:	90.3%
Motor efficiency at full load:	90.3 %
Number of poles:	4
Enclosure class (IEC 34-5):	IP55
Insulation class (IEC 85):	F
Built-in motor protection:	ELEC
Motor No:	98971183
<b>Controls:</b>	
Control panel:	HMI200 - Standard
Function Module:	FM300 - Advanced
Frequency converter:	Built-in
<b>Others:</b>	
Minimum efficiency index, MEI ≥:	0.70
Net weight:	175 kg
Gross weight:	206 kg
Shipping volume:	1.14 m <sup>3</sup>
Config. file no:	99100731



Description	Value
Country of origin:	HU
Custom tariff no.:	84137065

**On request TPED 80-170/4 A-F-A-BQQE-KDA 50 Hz**



Note! All units are in [mm] unless others are stated.  
 Disclaimer: This simplified dimensional drawing does not show all details.

