
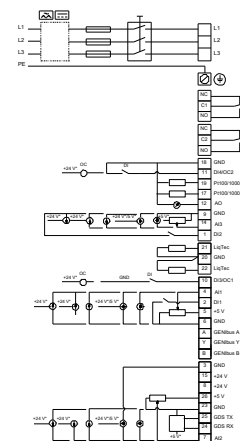
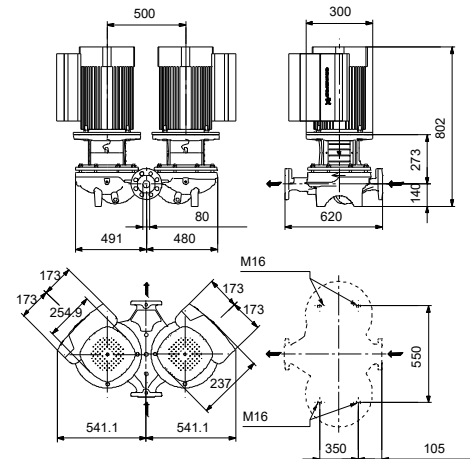
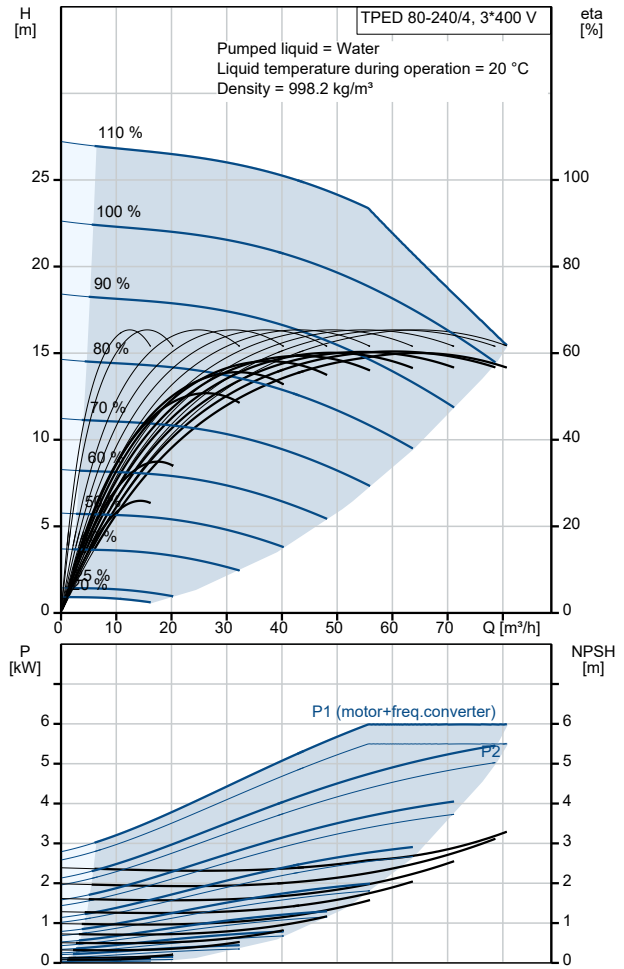


Qty.	Description
1	<p data-bbox="199 159 582 190"><b>TPED 80-240/4 A-F-A-BQQE-LDA</b></p> <div data-bbox="236 212 545 526" style="text-align: center;">  </div> <p data-bbox="592 506 1066 533" style="text-align: center;"><b>Note! Product picture may differ from actual product</b></p> <p data-bbox="199 539 480 566">Product No.: On request</p> <p data-bbox="199 600 1458 651">Single-stage, close-coupled, volute twin-head pump with in-line suction and discharge ports of identical diameter. The twin-head pump is designed with two parallel power-heads.</p> <p data-bbox="199 658 1401 710">The pump is of the top-pull-out design, i.e. the power head (motor, pump head and impeller) can be removed for maintenance or service while the pump housing remains in the pipework.</p> <p data-bbox="199 716 911 743">Each power head is fitted with an unbalanced rubber bellows seal.</p> <p data-bbox="199 750 1458 777">The shaft seal is according to EN 12756. Pipework connection is via PN 16 DIN flanges (EN 1092-2 and ISO 7005-2).</p> <p data-bbox="199 804 1390 855">Each power head is fitted with a fan-cooled, permanent-magnet synchronous motor of identical size. The motor efficiency is classified as IE5 in accordance with IEC 60034-30-2.</p> <p data-bbox="199 891 300 918"><b>Controls:</b></p> <p data-bbox="199 925 639 952">Frequency converter: Built-in</p> <p data-bbox="199 981 276 1008"><b>Liquid:</b></p> <p data-bbox="199 1014 635 1041">Pumped liquid: Water</p> <p data-bbox="199 1048 703 1075">Liquid temperature range: -25 .. 120 °C</p> <p data-bbox="199 1081 628 1108">Selected liquid temperature: 20 °C</p> <p data-bbox="199 1115 695 1142">Density: 998.2 kg/m<sup>3</sup></p> <p data-bbox="199 1171 316 1198"><b>Technical:</b></p> <p data-bbox="199 1205 820 1232">Pump speed on which pump data are based: 1455 rpm</p> <p data-bbox="199 1238 651 1265">Rated flow: 61 m<sup>3</sup>/h</p> <p data-bbox="199 1272 620 1299">Rated head: 19 m</p> <p data-bbox="199 1305 655 1332">Actual impeller diameter: 253 mm</p> <p data-bbox="199 1339 635 1366">Code for shaft seal: BQQE</p> <p data-bbox="199 1373 772 1400">Curve tolerance: ISO9906:2012 3B2</p> <p data-bbox="199 1429 309 1456"><b>Materials:</b></p> <p data-bbox="199 1462 730 1514">Pump housing: Cast iron EN-GJL-250 ASTM class 35</p> <p data-bbox="199 1529 730 1603">Impeller: Cast iron EN-GJL-200 ASTM class 30</p> <p data-bbox="199 1641 325 1668"><b>Installation:</b></p> <p data-bbox="199 1675 691 1702">Range of ambient temperature: -20 .. 50 °C</p> <p data-bbox="199 1709 635 1736">Maximum operating pressure: 16 bar</p> <p data-bbox="199 1742 730 1769">Max pressure at stated temp: 16 bar / 120 °C</p> <p data-bbox="199 1776 608 1803">Type of connection: DIN</p> <p data-bbox="199 1809 635 1836">Size of connection: DN 80</p> <p data-bbox="199 1843 635 1870">Pressure rating for connection: PN 16</p> <p data-bbox="199 1877 655 1904">Port-to-port length: 620 mm</p> <p data-bbox="199 1910 635 1937">Flange size for motor: FF265</p> <p data-bbox="199 1966 363 1993"><b>Electrical data:</b></p> <p data-bbox="199 2000 644 2027">Motor type: 132SG</p> <p data-bbox="199 2033 603 2060">IE Efficiency class: IE5</p> <p data-bbox="199 2067 644 2094">Rated power - P2: 5.5 kW</p> <p data-bbox="199 2101 635 2128">Mains frequency: 50 Hz</p> <p data-bbox="199 2134 719 2161">Rated voltage: 3 x 380-500 V</p>

Qty.	Description
1	<p>Rated current: 10.5-8.40 A  Cos phi - power factor: 0.92-0.88  Rated speed: 180-2200 rpm  Efficiency: 91.9%  Motor efficiency at full load: 91.9 %  Number of poles: 4  Enclosure class (IEC 34-5): IP55  Insulation class (IEC 85): F  Motor No: 98971184</p> <p>Others:  Minimum efficiency index, MEI ≥: 0.60  Net weight: 329 kg  Gross weight: 360 kg  Shipping volume: 1.14 m<sup>3</sup>  Country of origin: HU  Custom tariff no.: 84137065</p>

Description	Value
<b>General information:</b>	
Product name:	TPED 80-240/4 A-F-A-BQQE-LDA
Product No:	On request
EAN number:	On request
<b>Technical:</b>	
Pump speed on which pump data are based:	1455 rpm
Rated flow:	61 m³/h
Rated head:	19 m
Maximum head:	240 dm
Actual impeller diameter:	253 mm
Code for shaft seal:	BQQE
Curve tolerance:	ISO9906:2012 3B2
Pump version:	A
<b>Materials:</b>	
Pump housing:	Cast iron
Pump housing:	EN-GJL-250
Pump housing:	ASTM class 35
Impeller:	Cast iron
Impeller:	EN-GJL-200
Impeller:	ASTM class 30
Material code:	A
<b>Installation:</b>	
Range of ambient temperature:	-20 .. 50 °C
Maximum operating pressure:	16 bar
Max pressure at stated temp:	16 bar / 120 °C
Type of connection:	DIN
Size of connection:	DN 80
Pressure rating for connection:	PN 16
Port-to-port length:	620 mm
Flange size for motor:	FF265
Connect code:	F
<b>Liquid:</b>	
Pumped liquid:	Water
Liquid temperature range:	-25 .. 120 °C
Selected liquid temperature:	20 °C
Density:	998.2 kg/m³
<b>Electrical data:</b>	
Motor type:	132SG
IE Efficiency class:	IE5
Rated power - P2:	5.5 kW
Mains frequency:	50 Hz
Rated voltage:	3 x 380-500 V
Rated current:	10.5-8.40 A
Cos phi - power factor:	0.92-0.88
Rated speed:	180-2200 rpm
Efficiency:	91.9%
Motor efficiency at full load:	91.9 %
Number of poles:	4
Enclosure class (IEC 34-5):	IP55
Insulation class (IEC 85):	F
Built-in motor protection:	ELEC
Motor No:	98971184
<b>Controls:</b>	
Control panel:	HMI200 - Standard
Function Module:	FM300 - Advanced
Frequency converter:	Built-in
<b>Others:</b>	
Minimum efficiency index, MEI ≥:	0.60
Net weight:	329 kg
Gross weight:	360 kg
Shipping volume:	1.14 m³
Config. file no:	99100732



Description	Value
Country of origin:	HU
Custom tariff no.:	84137065



