
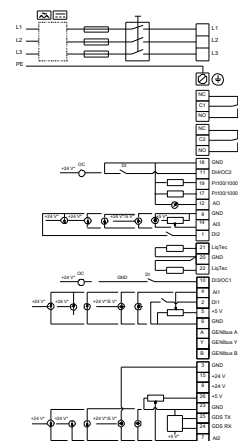
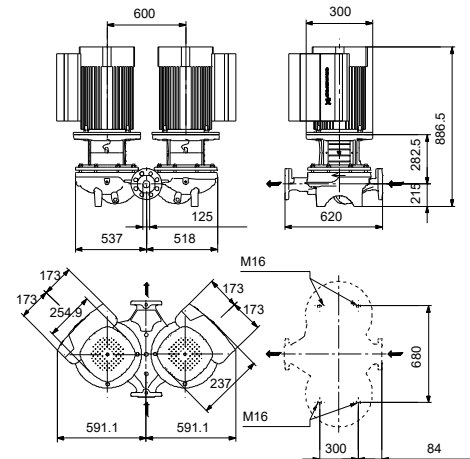
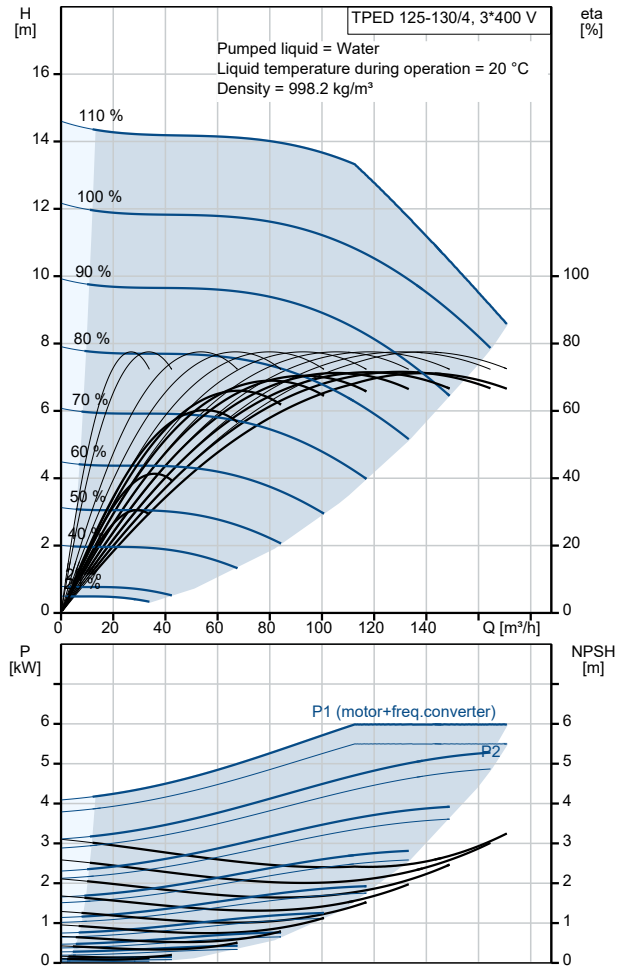


Qty.	Description
1	<p data-bbox="199 159 593 188">TPED 125-130/4 A-F-A-BQQE-LDA</p> <div data-bbox="236 215 544 528" style="text-align: center;">  </div> <p data-bbox="592 506 1064 530" style="text-align: center;">Note! Product picture may differ from actual product</p> <p data-bbox="199 539 478 566">Product No.: On request</p> <p data-bbox="199 600 1458 651">Single-stage, close-coupled, volute twin-head pump with in-line suction and discharge ports of identical diameter. The twin-head pump is designed with two parallel power-heads.</p> <p data-bbox="199 658 1401 710">The pump is of the top-pull-out design, i.e. the power head (motor, pump head and impeller) can be removed for maintenance or service while the pump housing remains in the pipework.</p> <p data-bbox="199 716 911 743">Each power head is fitted with an unbalanced rubber bellows seal.</p> <p data-bbox="199 750 1458 777">The shaft seal is according to EN 12756. Pipework connection is via PN 16 DIN flanges (EN 1092-2 and ISO 7005-2).</p> <p data-bbox="199 804 1390 855">Each power head is fitted with a fan-cooled, permanent-magnet synchronous motor of identical size. The motor efficiency is classified as IE5 in accordance with IEC 60034-30-2.</p> <p data-bbox="199 889 300 916">Controls:</p> <p data-bbox="199 922 639 949">Frequency converter: Built-in</p> <p data-bbox="199 983 272 1010">Liquid:</p> <p data-bbox="199 1016 632 1043">Pumped liquid: Water</p> <p data-bbox="199 1050 703 1077">Liquid temperature range: -25 .. 120 °C</p> <p data-bbox="199 1084 628 1111">Selected liquid temperature: 20 °C</p> <p data-bbox="199 1117 695 1144">Density: 998.2 kg/m³</p> <p data-bbox="199 1178 312 1205">Technical:</p> <p data-bbox="199 1211 820 1238">Pump speed on which pump data are based: 1455 rpm</p> <p data-bbox="199 1245 663 1272">Rated flow: 125 m³/h</p> <p data-bbox="199 1279 639 1305">Rated head: 10.6 m</p> <p data-bbox="199 1312 655 1339">Actual impeller diameter: 197 mm</p> <p data-bbox="199 1346 639 1373">Code for shaft seal: BQQE</p> <p data-bbox="199 1379 772 1406">Curve tolerance: ISO9906:2012 3B2</p> <p data-bbox="199 1440 309 1467">Materials:</p> <p data-bbox="199 1473 730 1525">Pump housing: Cast iron EN-GJL-250 ASTM class 35</p> <p data-bbox="199 1532 730 1583">Impeller: Cast iron EN-GJL-200 ASTM class 30</p> <p data-bbox="199 1639 325 1666">Installation:</p> <p data-bbox="199 1673 691 1700">Range of ambient temperature: -20 .. 50 °C</p> <p data-bbox="199 1706 639 1733">Maximum operating pressure: 16 bar</p> <p data-bbox="199 1740 730 1767">Max pressure at stated temp: 16 bar / 120 °C</p> <p data-bbox="199 1774 608 1800">Type of connection: DIN</p> <p data-bbox="199 1807 651 1834">Size of connection: DN 125</p> <p data-bbox="199 1841 635 1868">Pressure rating for connection: PN 16</p> <p data-bbox="199 1874 655 1901">Port-to-port length: 620 mm</p> <p data-bbox="199 1908 639 1935">Flange size for motor: FF265</p> <p data-bbox="199 1968 363 1995">Electrical data:</p> <p data-bbox="199 2002 644 2029">Motor type: 132SG</p> <p data-bbox="199 2036 603 2063">IE Efficiency class: IE5</p> <p data-bbox="199 2069 644 2096">Rated power - P2: 5.5 kW</p> <p data-bbox="199 2103 632 2130">Mains frequency: 50 Hz</p> <p data-bbox="199 2136 719 2163">Rated voltage: 3 x 380-500 V</p>

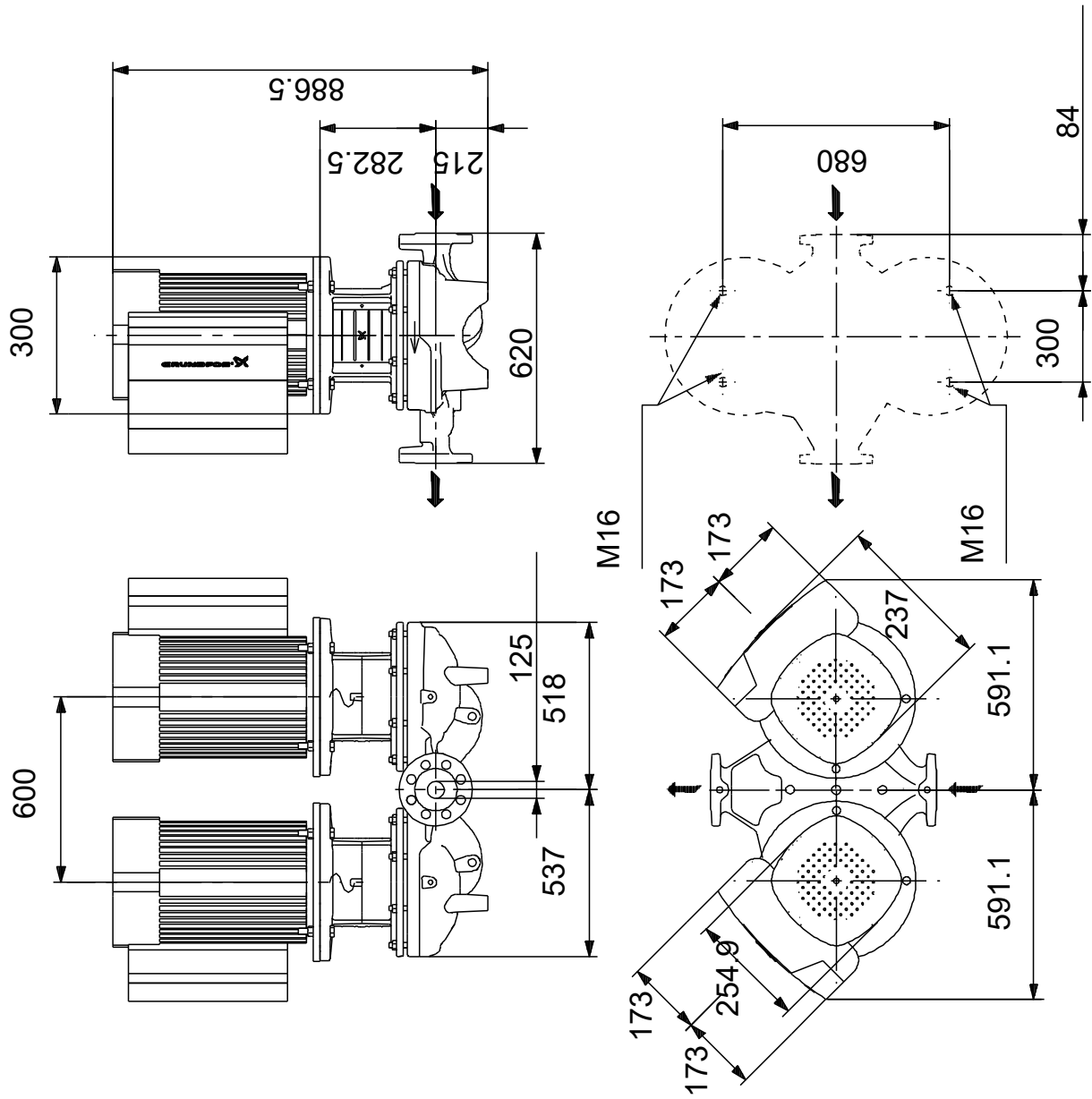
Qty.	Description
1	<p>Rated current: 10.5-8.40 A Cos phi - power factor: 0.92-0.88 Rated speed: 180-2200 rpm Efficiency: 91.9% Motor efficiency at full load: 91.9 % Number of poles: 4 Enclosure class (IEC 34-5): IP55 Insulation class (IEC 85): F Motor No: 98971184</p> <p>Others: Minimum efficiency index, MEI ≥: 0.46 Net weight: 398 kg Gross weight: 507 kg Shipping volume: 1.53 m³ Country of origin: HU Custom tariff no.: 84137065</p>

Description	Value
General information:	
Product name:	TPED 125-130/4 A-F-A-BQQE-LDA
Product No:	On request
EAN number:	On request
Technical:	
Pump speed on which pump data are based:	1455 rpm
Rated flow:	125 m ³ /h
Rated head:	10.6 m
Maximum head:	130 dm
Actual impeller diameter:	197 mm
Code for shaft seal:	BQQE
Curve tolerance:	ISO9906:2012 3B2
Pump version:	A
Materials:	
Pump housing:	Cast iron
Pump housing:	EN-GJL-250
Pump housing:	ASTM class 35
Impeller:	Cast iron
Impeller:	EN-GJL-200
Impeller:	ASTM class 30
Material code:	A
Installation:	
Range of ambient temperature:	-20 .. 50 °C
Maximum operating pressure:	16 bar
Max pressure at stated temp:	16 bar / 120 °C
Type of connection:	DIN
Size of connection:	DN 125
Pressure rating for connection:	PN 16
Port-to-port length:	620 mm
Flange size for motor:	FF265
Connect code:	F
Liquid:	
Pumped liquid:	Water
Liquid temperature range:	-25 .. 120 °C
Selected liquid temperature:	20 °C
Density:	998.2 kg/m ³
Electrical data:	
Motor type:	132SG
IE Efficiency class:	IE5
Rated power - P2:	5.5 kW
Mains frequency:	50 Hz
Rated voltage:	3 x 380-500 V
Rated current:	10.5-8.40 A
Cos phi - power factor:	0.92-0.88
Rated speed:	180-2200 rpm
Efficiency:	91.9%
Motor efficiency at full load:	91.9 %
Number of poles:	4
Enclosure class (IEC 34-5):	IP55
Insulation class (IEC 85):	F
Built-in motor protection:	ELEC
Motor No:	98971184
Controls:	
Control panel:	HMI200 - Standard
Function Module:	FM300 - Advanced
Frequency converter:	Built-in
Others:	
Minimum efficiency index, MEI ≥:	0.46
Net weight:	398 kg
Gross weight:	507 kg
Shipping volume:	1.53 m ³
Config. file no:	99100732



Description	Value
Country of origin:	HU
Custom tariff no.:	84137065

On request TPED 125-130/4 A-F-A-BQQE-LDA 50 Hz



Note! All units are in [mm] unless others are stated.
 Disclaimer: This simplified dimensional drawing does not show all details.

