

**Qty. Description**1 **TPED 80-150/4 S-A-F-A-BQQE-JDA****Note! Product picture may differ from actual product**

Product No.: On request

Single-stage, close-coupled, volute twin-head pump with in-line suction and discharge ports of identical diameter. The twin-head pump is designed with two parallel power-heads.

The pump is of the top-pull-out design, i.e. the power head (motor, pump head and impeller) can be removed for maintenance or service while the pump housing remains in the pipework.

Each power head is fitted with an unbalanced rubber bellows seal.

The shaft seal is according to EN 12756. Pipework connection is via PN 16 DIN flanges (EN 1092-2 and ISO 7005-2).

Each power head is fitted with a fan-cooled, permanent-magnet synchronous motor of identical size. The motor efficiency is classified as IE5 in accordance with IEC 60034-30-2.

The motor includes a frequency converter and PI controller in the motor terminal box. This enables continuously variable control of the motor speed, which again enables adaptation of the performance to a given requirement.

The pump is fitted with a differential pressure sensor.

**Controls:**

Frequency converter: Built-in

**Liquid:**

Pumped liquid: Water

Liquid temperature range: -25 .. 120 °C

Selected liquid temperature: 20 °C

Density: 998.2 kg/m<sup>3</sup>**Technical:**

Pump speed on which pump data are based: 1455 rpm

Rated flow: 48.2 m<sup>3</sup>/h

Rated head: 12.7 m

Actual impeller diameter: 205 mm

Code for shaft seal: BQQE

Curve tolerance: ISO9906:2012 3B2

**Materials:**

Pump housing: Cast iron  
EN-GJL-250  
ASTM class 35

Impeller: Cast iron  
EN-GJL-200  
ASTM class 30

**Installation:**

Range of ambient temperature: -20 .. 50 °C

Maximum operating pressure: 16 bar

Max pressure at stated temp: 16 bar / 120 °C

Type of connection: DIN

Size of connection: DN 80

Pressure rating for connection: PN 16

Port-to-port length: 500 mm

Flange size for motor: FF215

**Electrical data:**

Motor type: 100LD

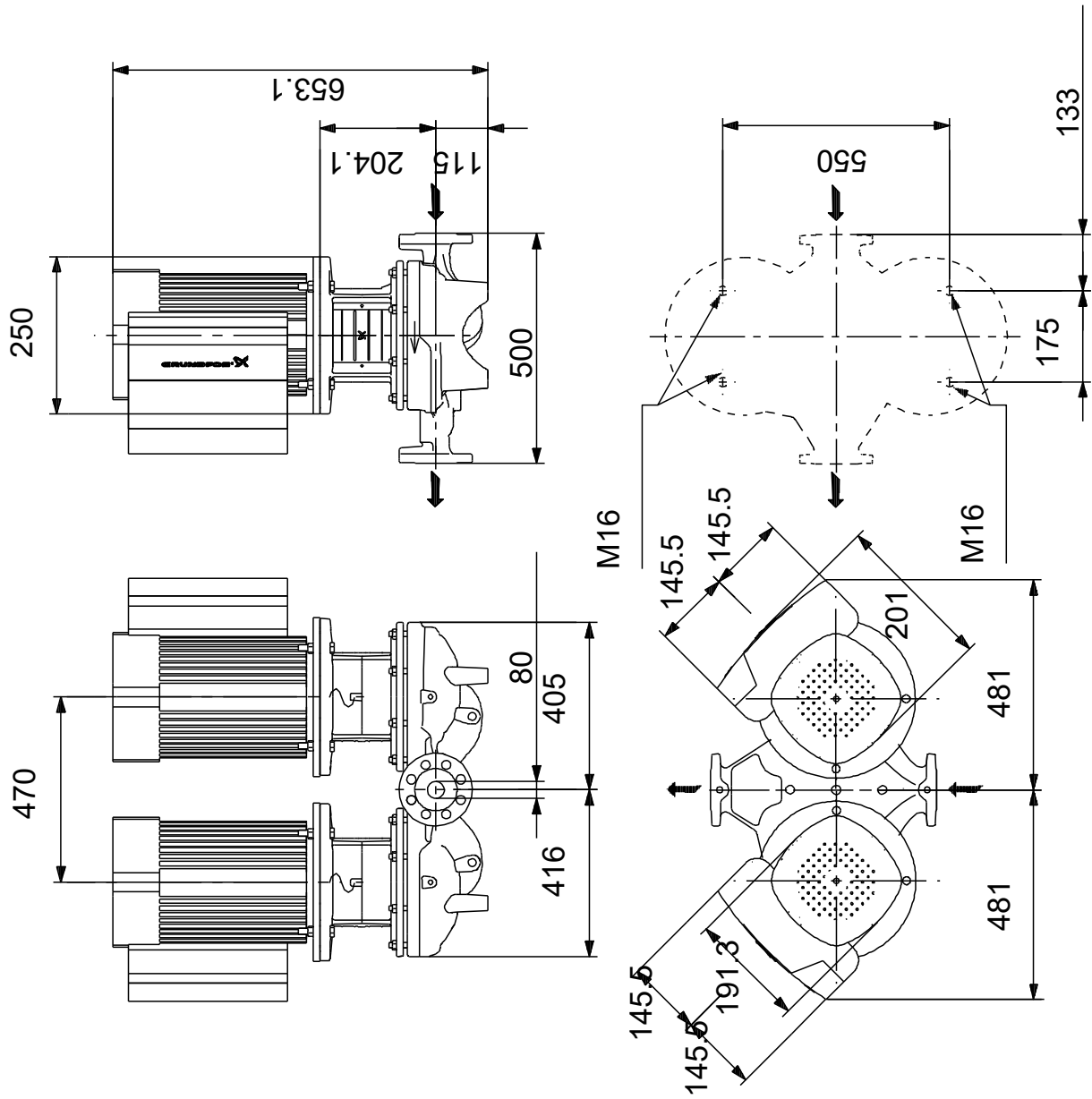
IE Efficiency class: IE5

Qty.	Description
1	<p>Rated power - P2: 3 kW  Mains frequency: 50 Hz  Rated voltage: 3 x 380-500 V  Rated current: 5.80-4.60 A  Cos phi - power factor: 0.91-0.86  Rated speed: 180-2200 rpm  Efficiency: 90.1%  Motor efficiency at full load: 90.1 %  Number of poles: 4  Enclosure class (IEC 34-5): IP55  Insulation class (IEC 85): F  Motor No: 98971265</p> <p>Others:  Minimum efficiency index, MEI ≥: 0.70  Net weight: 169 kg  Gross weight: 200 kg  Shipping volume: 1.14 m<sup>3</sup>  Country of origin: HU  Custom tariff no.: 84137065</p>



Description	Value
Country of origin:	HU
Custom tariff no.:	84137065

**On request TPED 80-150/4 S-A-F-A-BQQE-JDA 50 Hz**



Note! All units are in [mm] unless others are stated.  
 Disclaimer: This simplified dimensional drawing does not show all details.

