
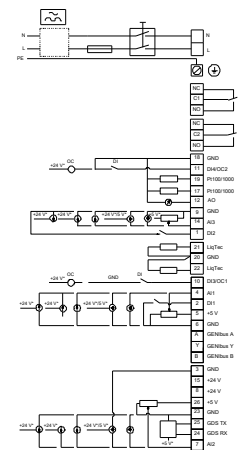
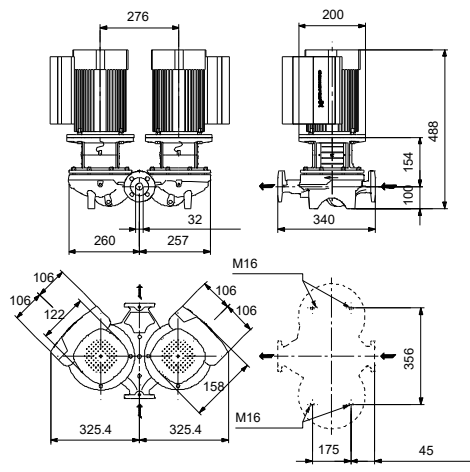
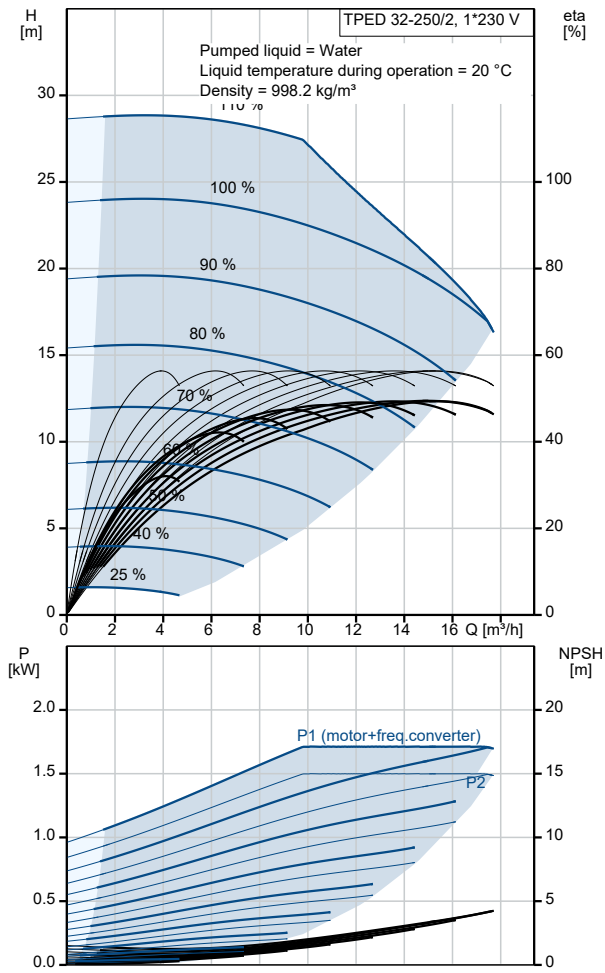


Qty.	Description
1	<b>TPED 32-250/2 S-A-F-A-BQQE-HAB</b>
	
	<p><b>Note! Product picture may differ from actual product</b></p>
	<p>Product No.: On request</p>
	<p>Single-stage, close-coupled, volute twin-head pump with in-line suction and discharge ports of identical diameter. The twin-head pump is designed with two parallel power-heads.</p>
	<p>The pump is of the top-pull-out design, i.e. the power head (motor, pump head and impeller) can be removed for maintenance or service while the pump housing remains in the pipework.</p>
	<p>Each power head is fitted with an unbalanced rubber bellows seal.</p>
	<p>The shaft seal is according to EN 12756. Pipework connection is via PN 16 DIN flanges (EN 1092-2 and ISO 7005-2).</p>
	<p>Each power head is fitted with a fan-cooled, permanent-magnet synchronous motor of identical size. The motor efficiency is classified as IE5 in accordance with IEC 60034-30-2.</p>
	<p>The motor includes a frequency converter and PI controller in the motor terminal box. This enables continuously variable control of the motor speed, which again enables adaptation of the performance to a given requirement.</p>
	<p>The pump is fitted with a differential pressure sensor.</p>
	<p>Controls:</p>
	<p>Frequency converter: Built-in</p>
	<p>Liquid:</p>
	<p>Pumped liquid: Water</p>
	<p>Liquid temperature range: -25 .. 120 °C</p>
	<p>Selected liquid temperature: 20 °C</p>
	<p>Density: 998.2 kg/m<sup>3</sup></p>
	<p>Technical:</p>
	<p>Pump speed on which pump data are based: 2900 rpm</p>
	<p>Rated flow: 12.7 m<sup>3</sup>/h</p>
	<p>Rated head: 19.3 m</p>
	<p>Actual impeller diameter: 140 mm</p>
	<p>Code for shaft seal: BQQE</p>
	<p>Curve tolerance: ISO9906:2012 3B2</p>
	<p>Materials:</p>
	<p>Pump housing: Cast iron EN-GJL-250 ASTM class 35</p>
	<p>Impeller: Cast iron EN-GJL-200 ASTM class 30</p>
	<p>Installation:</p>
	<p>Range of ambient temperature: -20 .. 50 °C</p>
	<p>Maximum operating pressure: 16 bar</p>
	<p>Max pressure at stated temp: 16 bar / 120 °C</p>
	<p>Type of connection: DIN</p>
	<p>Size of connection: DN 32</p>
	<p>Pressure rating for connection: PN 16</p>
	<p>Port-to-port length: 340 mm</p>
	<p>Flange size for motor: FF165</p>
	<p>Electrical data:</p>
	<p>Motor type: 90SC</p>
	<p>IE Efficiency class: IE5</p>

Qty.	Description																																						
1	<table> <tr> <td>Rated power - P2:</td> <td>1.5 kW</td> </tr> <tr> <td>Mains frequency:</td> <td>50 Hz</td> </tr> <tr> <td>Rated voltage:</td> <td>1 x 200-240 V</td> </tr> <tr> <td>Rated current:</td> <td>9.10-7.60 A</td> </tr> <tr> <td>Cos phi - power factor:</td> <td>0.99</td> </tr> <tr> <td>Rated speed:</td> <td>360-4000 rpm</td> </tr> <tr> <td>Efficiency:</td> <td>87.4%</td> </tr> <tr> <td>Motor efficiency at full load:</td> <td>87.4 %</td> </tr> <tr> <td>Number of poles:</td> <td>2</td> </tr> <tr> <td>Enclosure class (IEC 34-5):</td> <td>IP55</td> </tr> <tr> <td>Insulation class (IEC 85):</td> <td>F</td> </tr> <tr> <td>Motor No:</td> <td>99116402</td> </tr> <tr> <td colspan="2">Others:</td> </tr> <tr> <td>Minimum efficiency index, MEI ≥:</td> <td>0.70</td> </tr> <tr> <td>Net weight:</td> <td>85 kg</td> </tr> <tr> <td>Gross weight:</td> <td>104 kg</td> </tr> <tr> <td>Shipping volume:</td> <td>0.39 m<sup>3</sup></td> </tr> <tr> <td>Country of origin:</td> <td>HU</td> </tr> <tr> <td>Custom tariff no.:</td> <td>84137065</td> </tr> </table>	Rated power - P2:	1.5 kW	Mains frequency:	50 Hz	Rated voltage:	1 x 200-240 V	Rated current:	9.10-7.60 A	Cos phi - power factor:	0.99	Rated speed:	360-4000 rpm	Efficiency:	87.4%	Motor efficiency at full load:	87.4 %	Number of poles:	2	Enclosure class (IEC 34-5):	IP55	Insulation class (IEC 85):	F	Motor No:	99116402	Others:		Minimum efficiency index, MEI ≥:	0.70	Net weight:	85 kg	Gross weight:	104 kg	Shipping volume:	0.39 m <sup>3</sup>	Country of origin:	HU	Custom tariff no.:	84137065
Rated power - P2:	1.5 kW																																						
Mains frequency:	50 Hz																																						
Rated voltage:	1 x 200-240 V																																						
Rated current:	9.10-7.60 A																																						
Cos phi - power factor:	0.99																																						
Rated speed:	360-4000 rpm																																						
Efficiency:	87.4%																																						
Motor efficiency at full load:	87.4 %																																						
Number of poles:	2																																						
Enclosure class (IEC 34-5):	IP55																																						
Insulation class (IEC 85):	F																																						
Motor No:	99116402																																						
Others:																																							
Minimum efficiency index, MEI ≥:	0.70																																						
Net weight:	85 kg																																						
Gross weight:	104 kg																																						
Shipping volume:	0.39 m <sup>3</sup>																																						
Country of origin:	HU																																						
Custom tariff no.:	84137065																																						

Description	Value
<b>General information:</b>	
Product name:	TPED 32-250/2 S-A-F-A-BQQE-HAB
Product No:	On request
EAN number:	On request
<b>Technical:</b>	
Pump speed on which pump data are based:	2900 rpm
Rated flow:	12.7 m <sup>3</sup> /h
Rated head:	19.3 m
Maximum head:	250 dm
Actual impeller diameter:	140 mm
Code for shaft seal:	BQQE
Curve tolerance:	ISO9906:2012 3B2
Pump version:	A
<b>Materials:</b>	
Pump housing:	Cast iron
Pump housing:	EN-GJL-250
Pump housing:	ASTM class 35
Impeller:	Cast iron
Impeller:	EN-GJL-200
Impeller:	ASTM class 30
Material code:	A
<b>Installation:</b>	
Range of ambient temperature:	-20 .. 50 °C
Maximum operating pressure:	16 bar
Max pressure at stated temp:	16 bar / 120 °C
Type of connection:	DIN
Size of connection:	DN 32
Pressure rating for connection:	PN 16
Port-to-port length:	340 mm
Flange size for motor:	FF165
Connect code:	F
<b>Liquid:</b>	
Pumped liquid:	Water
Liquid temperature range:	-25 .. 120 °C
Selected liquid temperature:	20 °C
Density:	998.2 kg/m <sup>3</sup>
<b>Electrical data:</b>	
Motor type:	90SC
IE Efficiency class:	IE5
Rated power - P2:	1.5 kW
Mains frequency:	50 Hz
Rated voltage:	1 x 200-240 V
Rated current:	9.10-7.60 A
Cos phi - power factor:	0.99
Rated speed:	360-4000 rpm
Efficiency:	87.4%
Motor efficiency at full load:	87.4 %
Number of poles:	2
Enclosure class (IEC 34-5):	IP55
Insulation class (IEC 85):	F
Built-in motor protection:	ELEC
Motor No:	99116402
<b>Controls:</b>	
Control panel:	HMI300 - Graphical
Function Module:	FM300 - Advanced
Frequency converter:	Built-in
<b>Others:</b>	
Minimum efficiency index, MEI ≥:	0.70
Net weight:	85 kg
Gross weight:	104 kg
Shipping volume:	0.39 m <sup>3</sup>
Config. file no:	99145776



Description	Value
Country of origin:	HU
Custom tariff no.:	84137065



