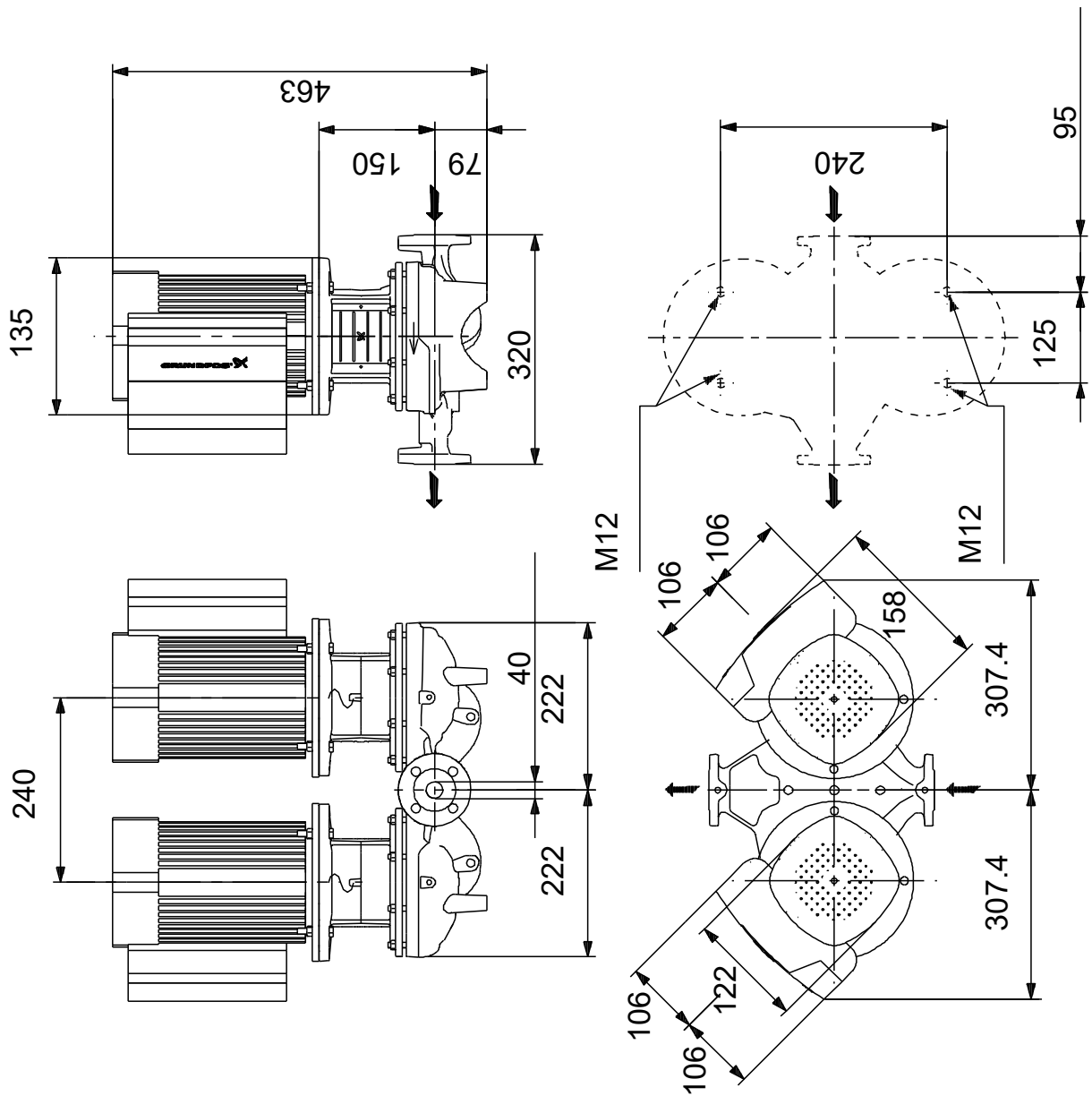


Qty.	Description
1	TPED 40-270/2 S-A-F-A-BQQE-HAB
	
	<p>Note! Product picture may differ from actual product</p>
	<p>Product No.: On request</p>
	<p>Single-stage, close-coupled, volute twin-head pump with in-line suction and discharge ports of identical diameter. The twin-head pump is designed with two parallel power-heads.</p>
	<p>The pump is of the top-pull-out design, i.e. the power head (motor, pump head and impeller) can be removed for maintenance or service while the pump housing remains in the pipework.</p>
	<p>Each power head is fitted with an unbalanced rubber bellows seal.</p>
	<p>The shaft seal is according to EN 12756. Pipework connection is via PN 16 DIN flanges (EN 1092-2 and ISO 7005-2).</p>
	<p>Each power head is fitted with a fan-cooled, permanent-magnet synchronous motor of identical size. The motor efficiency is classified as IE5 in accordance with IEC 60034-30-2.</p>
	<p>The motor includes a frequency converter and PI controller in the motor terminal box. This enables continuously variable control of the motor speed, which again enables adaptation of the performance to a given requirement.</p>
	<p>The pump is fitted with a differential pressure sensor.</p>
	<p>Controls:</p>
	<p>Frequency converter: Built-in</p>
	<p>Liquid:</p>
	<p>Pumped liquid: Water</p>
	<p>Liquid temperature range: -25 .. 120 °C</p>
	<p>Selected liquid temperature: 20 °C</p>
	<p>Density: 998.2 kg/m³</p>
	<p>Technical:</p>
	<p>Pump speed on which pump data are based: 2880 rpm</p>
	<p>Rated flow: 12.5 m³/h</p>
	<p>Rated head: 19.9 m</p>
	<p>Actual impeller diameter: 145 mm</p>
	<p>Code for shaft seal: BQQE</p>
	<p>Curve tolerance: ISO9906:2012 3B2</p>
	<p>Materials:</p>
	<p>Pump housing: Cast iron EN-GJL-250 ASTM class 35</p>
	<p>Impeller: Stainless steel EN 1.4301 AISI 304</p>
	<p>Installation:</p>
	<p>Range of ambient temperature: -20 .. 50 °C</p>
	<p>Maximum operating pressure: 16 bar</p>
	<p>Max pressure at stated temp: 16 bar / 120 °C</p>
	<p>Type of connection: DIN</p>
	<p>Size of connection: DN 40</p>
	<p>Pressure rating for connection: PN 16</p>
	<p>Port-to-port length: 320 mm</p>
	<p>Flange size for motor: FT115</p>
	<p>Electrical data:</p>
	<p>Motor type: 90SC</p>
	<p>IE Efficiency class: IE5</p>

Qty.	Description																																						
1	<table> <tr> <td>Rated power - P2:</td> <td>1.5 kW</td> </tr> <tr> <td>Mains frequency:</td> <td>50 Hz</td> </tr> <tr> <td>Rated voltage:</td> <td>1 x 200-240 V</td> </tr> <tr> <td>Rated current:</td> <td>9.10-7.60 A</td> </tr> <tr> <td>Cos phi - power factor:</td> <td>0.99</td> </tr> <tr> <td>Rated speed:</td> <td>360-4000 rpm</td> </tr> <tr> <td>Efficiency:</td> <td>87.4%</td> </tr> <tr> <td>Motor efficiency at full load:</td> <td>87.4 %</td> </tr> <tr> <td>Number of poles:</td> <td>2</td> </tr> <tr> <td>Enclosure class (IEC 34-5):</td> <td>IP55</td> </tr> <tr> <td>Insulation class (IEC 85):</td> <td>F</td> </tr> <tr> <td>Motor No:</td> <td>98362278</td> </tr> <tr> <td colspan="2">Others:</td> </tr> <tr> <td>Minimum efficiency index, MEI ≥:</td> <td>0.70</td> </tr> <tr> <td>Net weight:</td> <td>65.3 kg</td> </tr> <tr> <td>Gross weight:</td> <td>74.8 kg</td> </tr> <tr> <td>Shipping volume:</td> <td>0.227 m³</td> </tr> <tr> <td>Country of origin:</td> <td>HU</td> </tr> <tr> <td>Custom tariff no.:</td> <td>84137065</td> </tr> </table>	Rated power - P2:	1.5 kW	Mains frequency:	50 Hz	Rated voltage:	1 x 200-240 V	Rated current:	9.10-7.60 A	Cos phi - power factor:	0.99	Rated speed:	360-4000 rpm	Efficiency:	87.4%	Motor efficiency at full load:	87.4 %	Number of poles:	2	Enclosure class (IEC 34-5):	IP55	Insulation class (IEC 85):	F	Motor No:	98362278	Others:		Minimum efficiency index, MEI ≥:	0.70	Net weight:	65.3 kg	Gross weight:	74.8 kg	Shipping volume:	0.227 m ³	Country of origin:	HU	Custom tariff no.:	84137065
Rated power - P2:	1.5 kW																																						
Mains frequency:	50 Hz																																						
Rated voltage:	1 x 200-240 V																																						
Rated current:	9.10-7.60 A																																						
Cos phi - power factor:	0.99																																						
Rated speed:	360-4000 rpm																																						
Efficiency:	87.4%																																						
Motor efficiency at full load:	87.4 %																																						
Number of poles:	2																																						
Enclosure class (IEC 34-5):	IP55																																						
Insulation class (IEC 85):	F																																						
Motor No:	98362278																																						
Others:																																							
Minimum efficiency index, MEI ≥:	0.70																																						
Net weight:	65.3 kg																																						
Gross weight:	74.8 kg																																						
Shipping volume:	0.227 m ³																																						
Country of origin:	HU																																						
Custom tariff no.:	84137065																																						

Description	Value
Country of origin:	HU
Custom tariff no.:	84137065

On request TPED 40-270/2 S-A-F-A-BQQE-HAB 50 Hz



Note! All units are in [mm] unless others are stated.
 Disclaimer: This simplified dimensional drawing does not show all details.

