
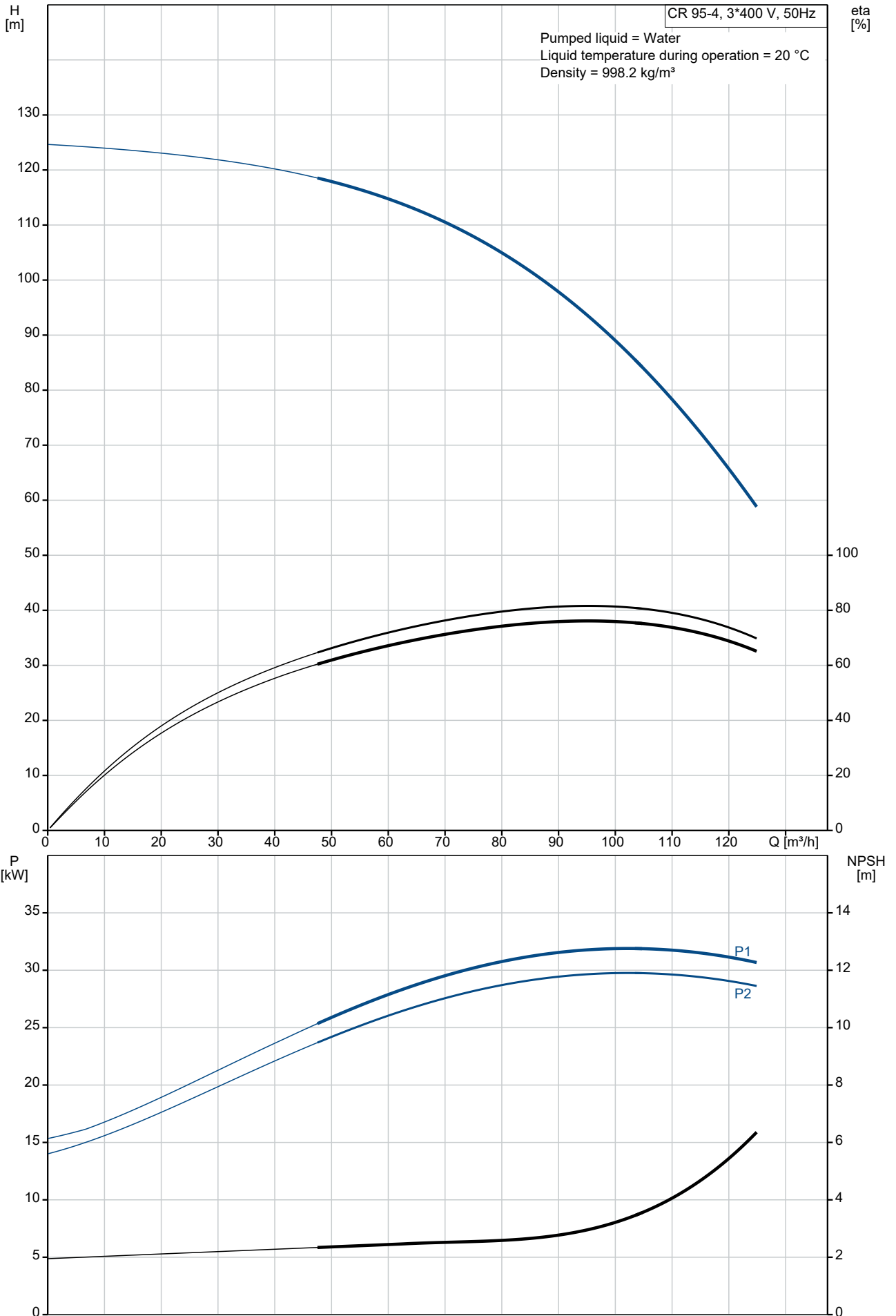


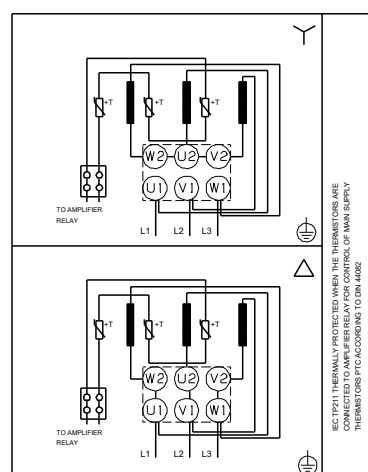
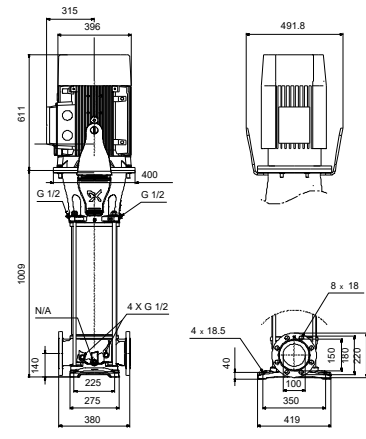
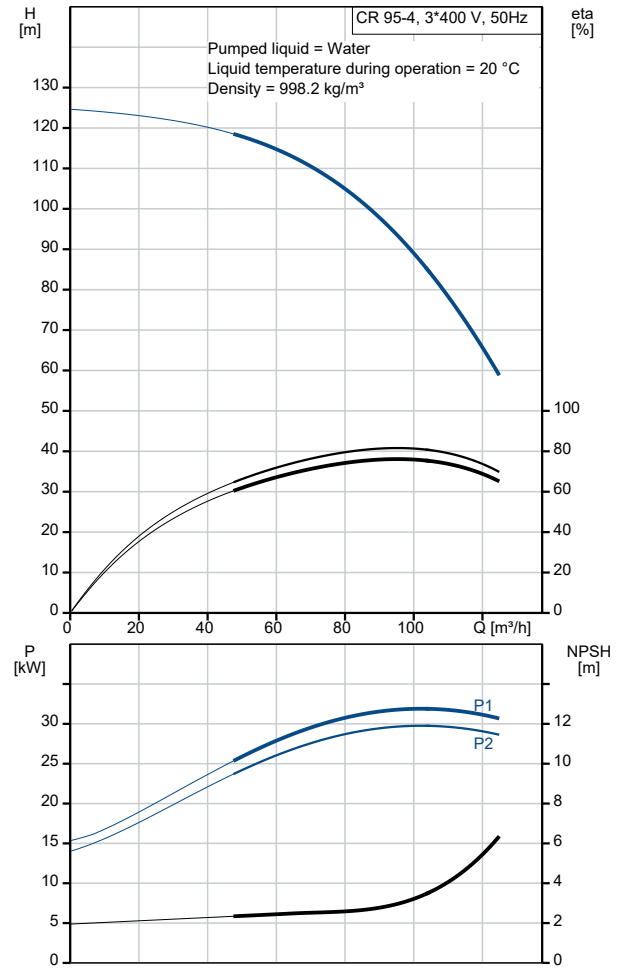
Qty.	Description
1	<p data-bbox="204 163 469 185">CR 95-4 A-F-A-V-HQQV</p>  <p data-bbox="592 510 1062 533" style="text-align: center;">Note! Product picture may differ from actual product</p> <p data-bbox="204 542 478 564">Product No.: On request</p> <p data-bbox="204 600 1430 696">Vertical, multistage centrifugal pump with inlet and outlet ports on same the level (inline). The pump head and base are in cast iron – all other wetted parts are in stainless steel. The Grundfos cartridge shaft seal ensures high reliability, safe handling, and easy access and service. Power transmission is via a rigid split coupling. Pipe connection is via DIN flanges.</p> <p data-bbox="204 712 916 734">The pump is fitted with a 3-phase, fan-cooled asynchronous motor.</p> <p data-bbox="204 772 276 795">Liquid:</p> <p data-bbox="204 801 692 918"> Pumped liquid: Water Liquid temperature range: -20 .. 90 °C Selected liquid temperature: 20 °C Density: 998.2 kg/m³ </p> <p data-bbox="204 952 316 974">Technical:</p> <p data-bbox="204 981 820 1214"> Pump speed on which pump data are based: 2970 rpm Rated flow: 95 m³/h Rated head: 93.7 m Pump orientation: Vertical Shaft seal arrangement: Single Code for shaft seal: HQQV Approvals: CE,EAC,UKCA,SEPRO Curve tolerance: ISO9906:2012 3B </p> <p data-bbox="204 1247 309 1270">Materials:</p> <p data-bbox="204 1276 836 1361"> Base: Ductile cast iron EN 1563 EN-GJS-500-7 ASTM A536-84 65-45-12 </p> <p data-bbox="204 1368 724 1453"> Impeller: Stainless steel EN 1.4301 AISI 304 </p> <p data-bbox="204 1460 788 1543"> Bearing: WC/WC Support bearing: Graflon Material certified according to: European standards </p> <p data-bbox="204 1576 325 1599">Installation:</p> <p data-bbox="204 1606 718 1839"> t max amb: 55 °C Maximum operating pressure: 16 bar Max pressure at stated temp: 16 bar / 90 °C Type of connection: DIN Size of inlet connection: DN 100 Size of outlet connection: DN 100 Pressure rating for connection: PN 16 Flange size for motor: FF350 </p> <p data-bbox="204 1872 363 1895">Electrical data:</p> <p data-bbox="204 1901 845 2101"> Motor standard: IEC Motor type: SIEMENS IE Efficiency class: IE3 Rated power - P2: 30 kW Power (P2) required by pump: 30 kW Mains frequency: 50 Hz Rated voltage: 3 x 380-420D/660-725Y V </p>

Qty.	Description
1	<p>Rated current: 53/31 A Starting current: 700-700 % Cos phi - power factor: 0.87 Rated speed: 2955 rpm Efficiency: IE3 93,3% Motor efficiency at full load: 93.3-93.3 % Motor efficiency at 3/4 load: 93.5-93.5 % Motor efficiency at 1/2 load: 92.9-92.9 % Number of poles: 2 Enclosure class (IEC 34-5): IP55 Insulation class (IEC 85): F Motor No: 81U15332</p> <p>Controls: Frequency converter: NONE</p> <p>Others: Minimum efficiency index, MEI ≥: 0.70 Net weight: 348 kg Gross weight: 411 kg Shipping volume: 1.14 m³ Thrust handling device: N Country of origin: GB Custom tariff no.: 84137075</p>

On request CR 95-4 A-F-A-V-HQQV 50 Hz

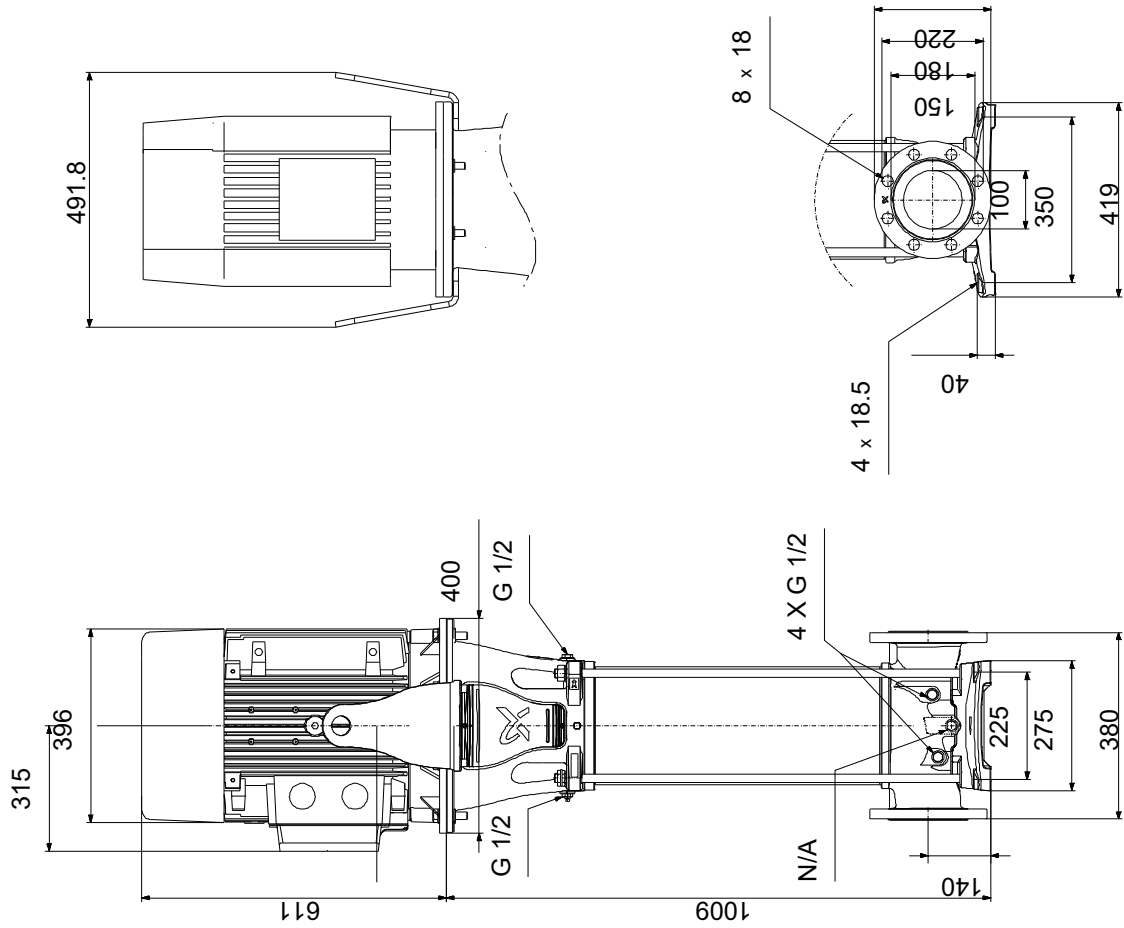


Description	Value
General information:	
Product name:	CR 95-4 A-F-A-V-HQQV
Product No:	On request
EAN number:	On request
Technical:	
Pump speed on which pump data are based:	2970 rpm
Rated flow:	95 m ³ /h
Rated head:	93.7 m
Maximum head:	124.6 m
Impellers:	4
Number of reduced-diameter impellers:	0
Low NPSH:	N
Pump orientation:	Vertical
Shaft seal arrangement:	Single
Code for shaft seal:	HQQV
Approvals:	CE, EAC, UKCA, SEPRO
Curve tolerance:	ISO9906:2012 3B
Pump version:	A
Model:	A
Cooling:	IC 411
Materials:	
Base:	Ductile cast iron
Base:	EN 1563 EN-GJS-500-7
Base:	ASTM A536-84 65-45-12
Impeller:	Stainless steel
Impeller:	EN 1.4301
Impeller:	AISI 304
Material code:	A
Code for rubber:	V
Bearing:	WC/WC
Support bearing:	Graflon
Material certified according to:	European standards
Installation:	
t max amb:	55 °C
Maximum operating pressure:	16 bar
Max pressure at stated temp:	16 bar / 90 °C
Type of connection:	DIN
Size of inlet connection:	DN 100
Size of outlet connection:	DN 100
Pressure rating for connection:	PN 16
Flange size for motor:	FF350
Connect code:	F
Liquid:	
Pumped liquid:	Water
Liquid temperature range:	-20 .. 90 °C
Selected liquid temperature:	20 °C
Density:	998.2 kg/m ³
Electrical data:	
Motor standard:	IEC
Motor type:	SIEMENS
IE Efficiency class:	IE3
Rated power - P2:	30 kW
Power (P2) required by pump:	30 kW
Mains frequency:	50 Hz
Rated voltage:	3 x 380-420D/660-725Y V
Rated current:	53/31 A
Starting current:	700-700 %
Cos phi - power factor:	0.87
Rated speed:	2955 rpm



Description	Value
Efficiency:	IE3 93,3%
Motor efficiency at full load:	93.3-93.3 %
Motor efficiency at 3/4 load:	93.5-93.5 %
Motor efficiency at 1/2 load:	92.9-92.9 %
Number of poles:	2
Enclosure class (IEC 34-5):	IP55
Insulation class (IEC 85):	F
Built-in motor protection:	PTC
Motor No:	81U15332
Controls:	
Frequency converter:	NONE
Others:	
Minimum efficiency index, MEI ≥:	0.70
Net weight:	348 kg
Gross weight:	411 kg
Shipping volume:	1.14 m ³
Thrust handling device:	N
Country of origin:	GB
Custom tariff no.:	84137075

On request CR 95-4 A-F-A-V-HQQV 50 Hz



Note! All units are in [mm] unless others are stated.
 Disclaimer: This simplified dimensional drawing does not show all details.

On request CR 95-4 A-F-A-V-HQQV 50 Hz



IEC TP211 THERMALLY PROTECTED WHEN THE THERMISTORS ARE
CONNECTED TO AMPLIFIER RELAY FOR CONTROL OF MAIN SUPPLY
THERMISTORS PTC ACCORDING TO DIN 44082

Note! All units are in [mm] unless others are stated.

Order Data:

Position	Your pos.	Product name	Amount	Product No	Total
		CR 95-4	1	On request	Price on request