
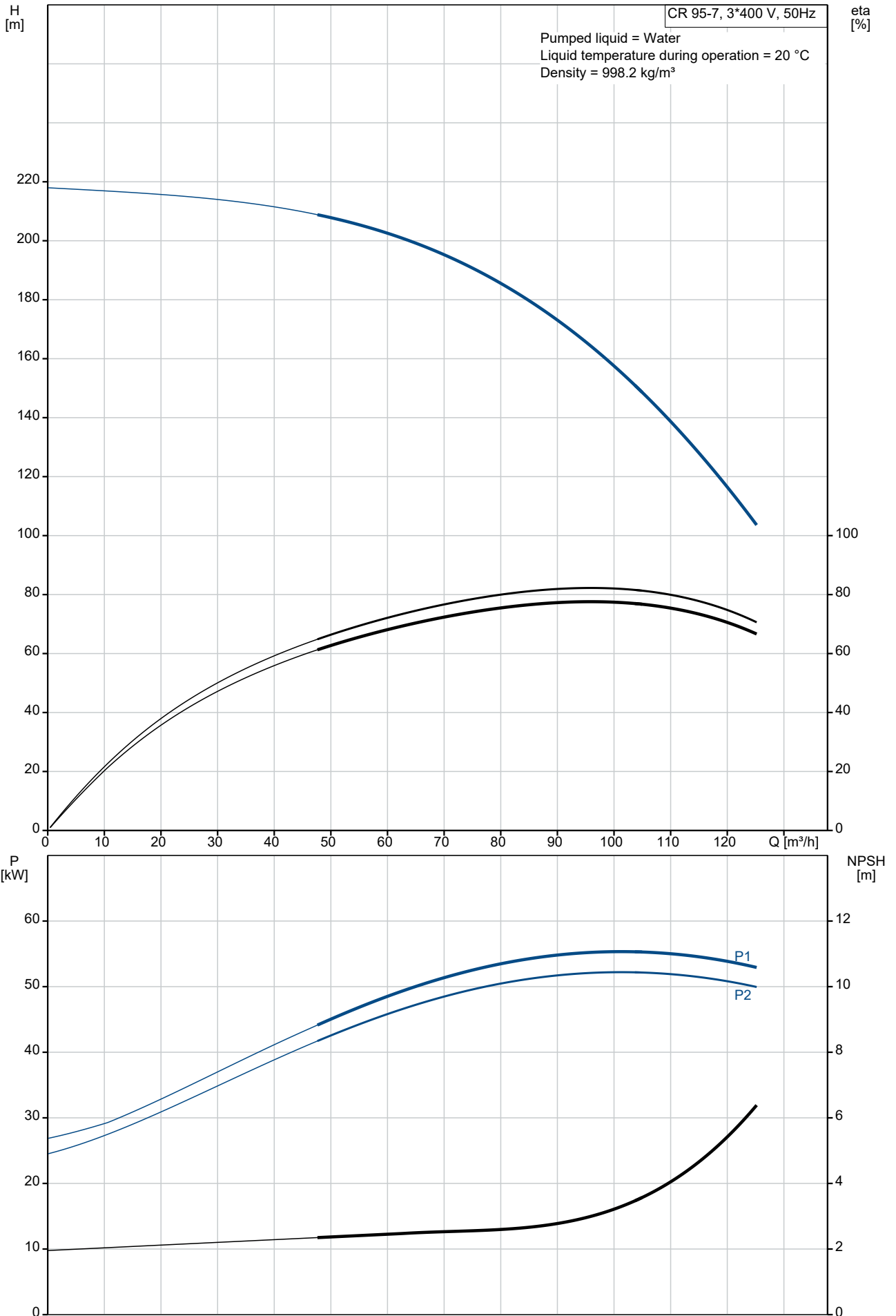


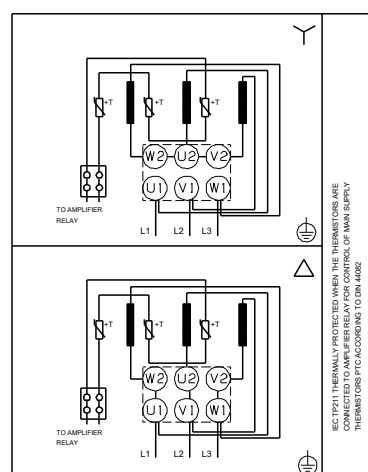
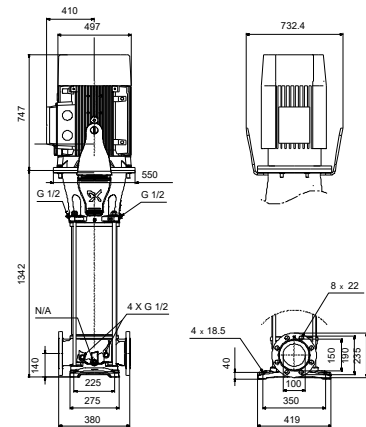
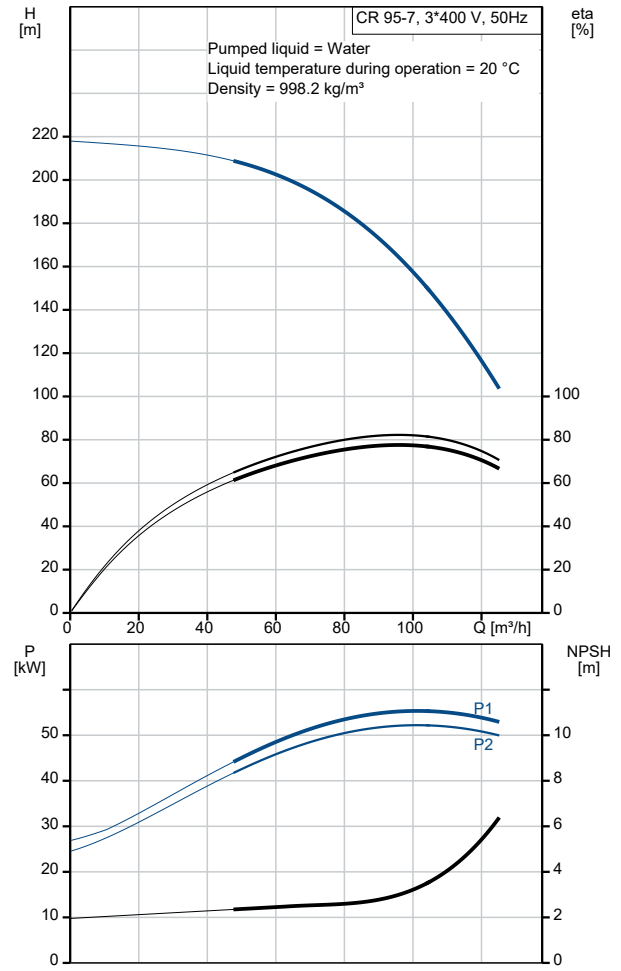
Qty.	Description
1	<b>CR 95-7 A-F-A-V-HQQV</b>
	
	<b>Note! Product picture may differ from actual product</b>
	Product No.: On request
	<p>Vertical, multistage centrifugal pump with inlet and outlet ports on same the level (inline). The pump head and base are in cast iron – all other wetted parts are in stainless steel. The Grundfos cartridge shaft seal ensures high reliability, safe handling, and easy access and service. Power transmission is via a rigid split coupling. Pipe connection is via DIN flanges.</p>
	<p>The pump is fitted with a 3-phase, fan-cooled asynchronous motor.</p>
	<p>Liquid:            Pumped liquid: Water            Liquid temperature range: -20 .. 90 °C            Selected liquid temperature: 20 °C            Density: 998.2 kg/m<sup>3</sup></p>
	<p>Technical:            Pump speed on which pump data are based: 2976 rpm            Rated flow: 95 m<sup>3</sup>/h            Rated head: 165.6 m            Pump orientation: Vertical            Shaft seal arrangement: Single            Code for shaft seal: HQQV            Approvals: CE,EAC,UKCA,SEPRO            Curve tolerance: ISO9906:2012 3B</p>
	<p>Materials:            Base: Ductile cast iron                      EN 1563 EN-GJS-500-7                      ASTM A536-84 65-45-12            Impeller: Stainless steel                      EN 1.4301                      AISI 304            Bearing: WC/WC            Support bearing: Graflon            Material certified according to: European standards</p>
	<p>Installation:            t max amb: 55 °C            Maximum operating pressure: 25 bar            Max pressure at stated temp: 25 bar / 90 °C            Type of connection: DIN            Size of inlet connection: DN 100            Size of outlet connection: DN 100            Pressure rating for connection: PN 25/40            Flange size for motor: FF500</p>
	<p>Electrical data:            Motor standard: IEC            Motor type: SIEMENS            IE Efficiency class: IE3            Rated power - P2: 55 kW            Power (P2) required by pump: 55 kW            Mains frequency: 50 Hz            Rated voltage: 3 x 380-420D/660-725Y V</p>

Qty.	Description
1	<p>Rated current: 95/55 A</p> <p>Starting current: 670-670 %</p> <p>Cos phi - power factor: 0.89</p> <p>Rated speed: 2975 rpm</p> <p>Efficiency: IE3 94,3%</p> <p>Motor efficiency at full load: 94.3-94.3 %</p> <p>Motor efficiency at 3/4 load: 94.5-94.5 %</p> <p>Motor efficiency at 1/2 load: 93.9-93.9 %</p> <p>Number of poles: 2</p> <p>Enclosure class (IEC 34-5): IP55</p> <p>Insulation class (IEC 85): F</p> <p>Motor No: 81U15338</p> <p>Controls:</p> <p>Frequency converter: NONE</p> <p>Others:</p> <p>Minimum efficiency index, MEI ≥: 0.70</p> <p>Net weight: 598 kg</p> <p>Gross weight: 749 kg</p> <p>Shipping volume: 2.22 m<sup>3</sup></p> <p>Thrust handling device: N</p> <p>Country of origin: GB</p> <p>Custom tariff no.: 84137075</p>

# On request CR 95-7 A-F-A-V-HQQV 50 Hz

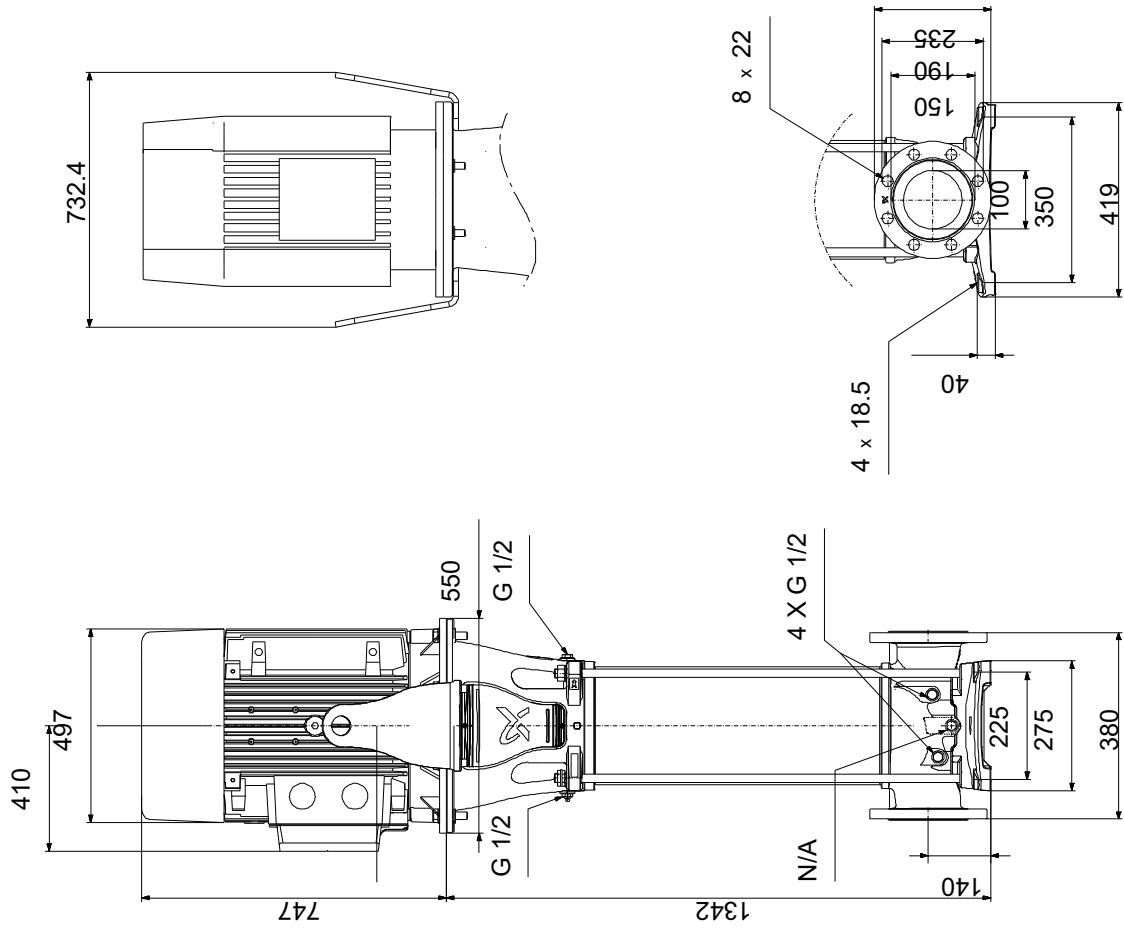


Description	Value
<b>General information:</b>	
Product name:	CR 95-7 A-F-A-V-HQQV
Product No:	On request
EAN number:	On request
<b>Technical:</b>	
Pump speed on which pump data are based:	2976 rpm
Rated flow:	95 m <sup>3</sup> /h
Rated head:	165.6 m
Maximum head:	217.9 m
Impellers:	7
Number of reduced-diameter impellers:	0
Low NPSH:	N
Pump orientation:	Vertical
Shaft seal arrangement:	Single
Code for shaft seal:	HQQV
Approvals:	CE,EAC,UKCA,SEPRO
Curve tolerance:	ISO9906:2012 3B
Pump version:	A
Model:	A
Cooling:	IC 411
<b>Materials:</b>	
Base:	Ductile cast iron
Base:	EN 1563 EN-GJS-500-7
Base:	ASTM A536-84 65-45-12
Impeller:	Stainless steel
Impeller:	EN 1.4301
Impeller:	AISI 304
Material code:	A
Code for rubber:	V
Bearing:	WC/WC
Support bearing:	Graflon
Material certified according to:	European standards
<b>Installation:</b>	
t max amb:	55 °C
Maximum operating pressure:	25 bar
Max pressure at stated temp:	25 bar / 90 °C
Type of connection:	DIN
Size of inlet connection:	DN 100
Size of outlet connection:	DN 100
Pressure rating for connection:	PN 25/40
Flange size for motor:	FF500
Connect code:	F
<b>Liquid:</b>	
Pumped liquid:	Water
Liquid temperature range:	-20 .. 90 °C
Selected liquid temperature:	20 °C
Density:	998.2 kg/m <sup>3</sup>
<b>Electrical data:</b>	
Motor standard:	IEC
Motor type:	SIEMENS
IE Efficiency class:	IE3
Rated power - P2:	55 kW
Power (P2) required by pump:	55 kW
Mains frequency:	50 Hz
Rated voltage:	3 x 380-420D/660-725Y V
Rated current:	95/55 A
Starting current:	670-670 %
Cos phi - power factor:	0.89
Rated speed:	2975 rpm



Description	Value
Efficiency:	IE3 94,3%
Motor efficiency at full load:	94.3-94.3 %
Motor efficiency at 3/4 load:	94.5-94.5 %
Motor efficiency at 1/2 load:	93.9-93.9 %
Number of poles:	2
Enclosure class (IEC 34-5):	IP55
Insulation class (IEC 85):	F
Built-in motor protection:	PTC
Motor No:	81U15338
<b>Controls:</b>	
Frequency converter:	NONE
<b>Others:</b>	
Minimum efficiency index, MEI ≥:	0.70
Net weight:	598 kg
Gross weight:	749 kg
Shipping volume:	2.22 m <sup>3</sup>
Thrust handling device:	N
Country of origin:	GB
Custom tariff no.:	84137075

**On request CR 95-7 A-F-A-V-HQQV 50 Hz**



Note! All units are in [mm] unless others are stated.  
 Disclaimer: This simplified dimensional drawing does not show all details.

**On request CR 95-7 A-F-A-V-HQQV 50 Hz**



IEC TP211 THERMALLY PROTECTED WHEN THE THERMISTORS ARE  
CONNECTED TO AMPLIFIER RELAY FOR CONTROL OF MAIN SUPPLY  
THERMISTORS PTC ACCORDING TO DIN 44082

Note! All units are in [mm] unless others are stated.

