
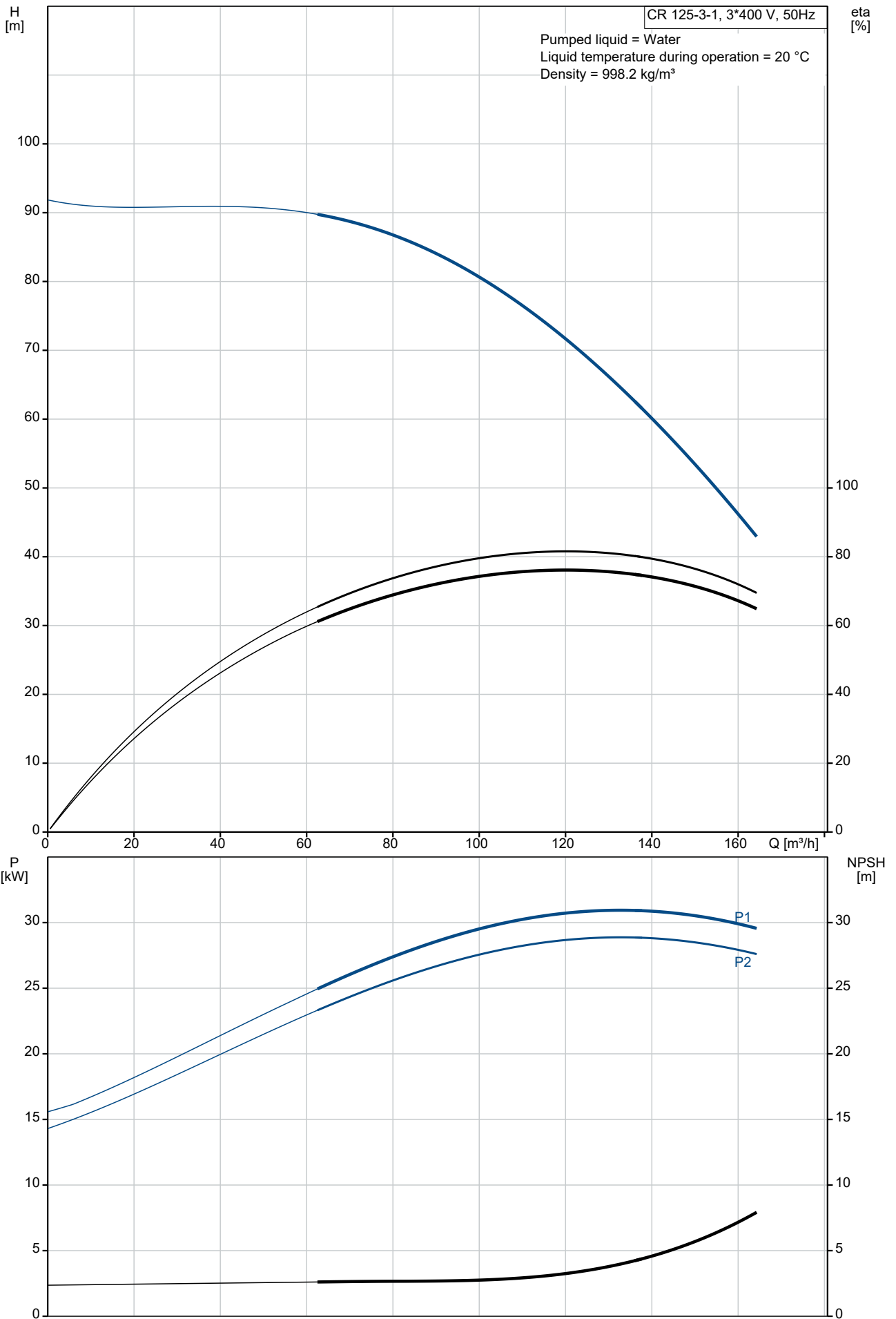


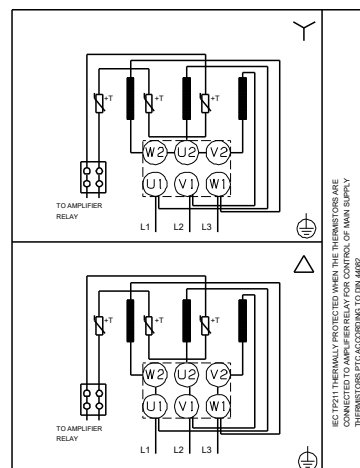
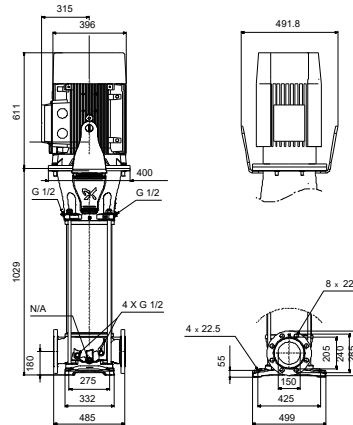
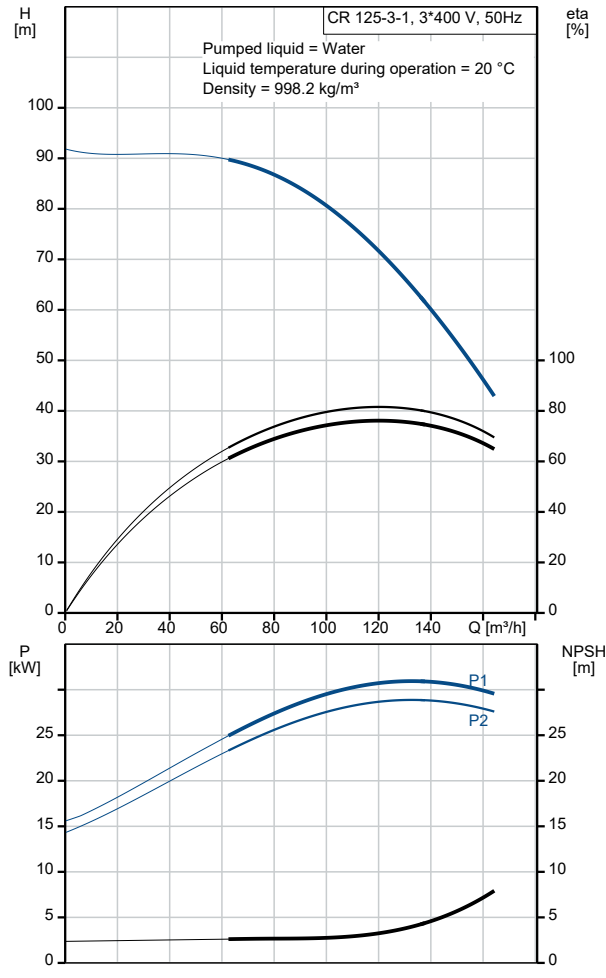
| Qty. | Description |
|------|---|
| 1 | CR 125-3-1 A-F-A-V-HQQV |
| |  |
| | <p align="center">Note! Product picture may differ from actual product</p> |
| | <p>Product No.: On request</p> |
| | <p>Vertical, multistage centrifugal pump with inlet and outlet ports on same the level (inline). The pump head and base are in cast iron – all other wetted parts are in stainless steel. The Grundfos cartridge shaft seal ensures high reliability, safe handling, and easy access and service. Power transmission is via a rigid split coupling. Pipe connection is via DIN flanges.</p> |
| | <p>The pump is fitted with a 3-phase, fan-cooled asynchronous motor.</p> |
| | <p>Liquid: Pumped liquid: Water Liquid temperature range: -20 .. 90 °C Selected liquid temperature: 20 °C Density: 998.2 kg/m³</p> |
| | <p>Technical: Pump speed on which pump data are based: 2971 rpm Rated flow: 125 m³/h Rated head: 69 m Pump orientation: Vertical Shaft seal arrangement: Single Code for shaft seal: HQQV Approvals: CE,EAC,UKCA,SEPRO Curve tolerance: ISO9906:2012 3B</p> |
| | <p>Materials: Base: Ductile cast iron EN 1563 EN-GJS-500-7 ASTM A536-84 65-45-12 Impeller: Stainless steel EN 1.4301 AISI 304 Bearing: WC/WC Support bearing: Graflon Material certified according to: European standards</p> |
| | <p>Installation: t max amb: 55 °C Maximum operating pressure: 16 bar Max pressure at stated temp: 16 bar / 90 °C Type of connection: DIN Size of inlet connection: DN 150 Size of outlet connection: DN 150 Pressure rating for connection: PN 16 Flange size for motor: FF350</p> |
| | <p>Electrical data: Motor standard: IEC Motor type: SIEMENS IE Efficiency class: IE3 Rated power - P2: 30 kW Power (P2) required by pump: 30 kW Mains frequency: 50 Hz Rated voltage: 3 x 380-420D/660-725Y V</p> |

| Qty. | Description |
|------|--|
| 1 | <p>Rated current: 53/31 A Starting current: 700-700 % Cos phi - power factor: 0.87 Rated speed: 2955 rpm Efficiency: IE3 93,3% Motor efficiency at full load: 93.3-93.3 % Motor efficiency at 3/4 load: 93.5-93.5 % Motor efficiency at 1/2 load: 92.9-92.9 % Number of poles: 2 Enclosure class (IEC 34-5): IP55 Insulation class (IEC 85): F Motor No: 81U15332</p> <p>Controls: Frequency converter: NONE</p> <p>Others: Minimum efficiency index, MEI ≥: 0.70 Net weight: 396 kg Gross weight: 460 kg Shipping volume: 1.14 m³ Thrust handling device: N Country of origin: DK Custom tariff no.: 84137075</p> |

On request CR 125-3-1 A-F-A-V-HQQV 50 Hz

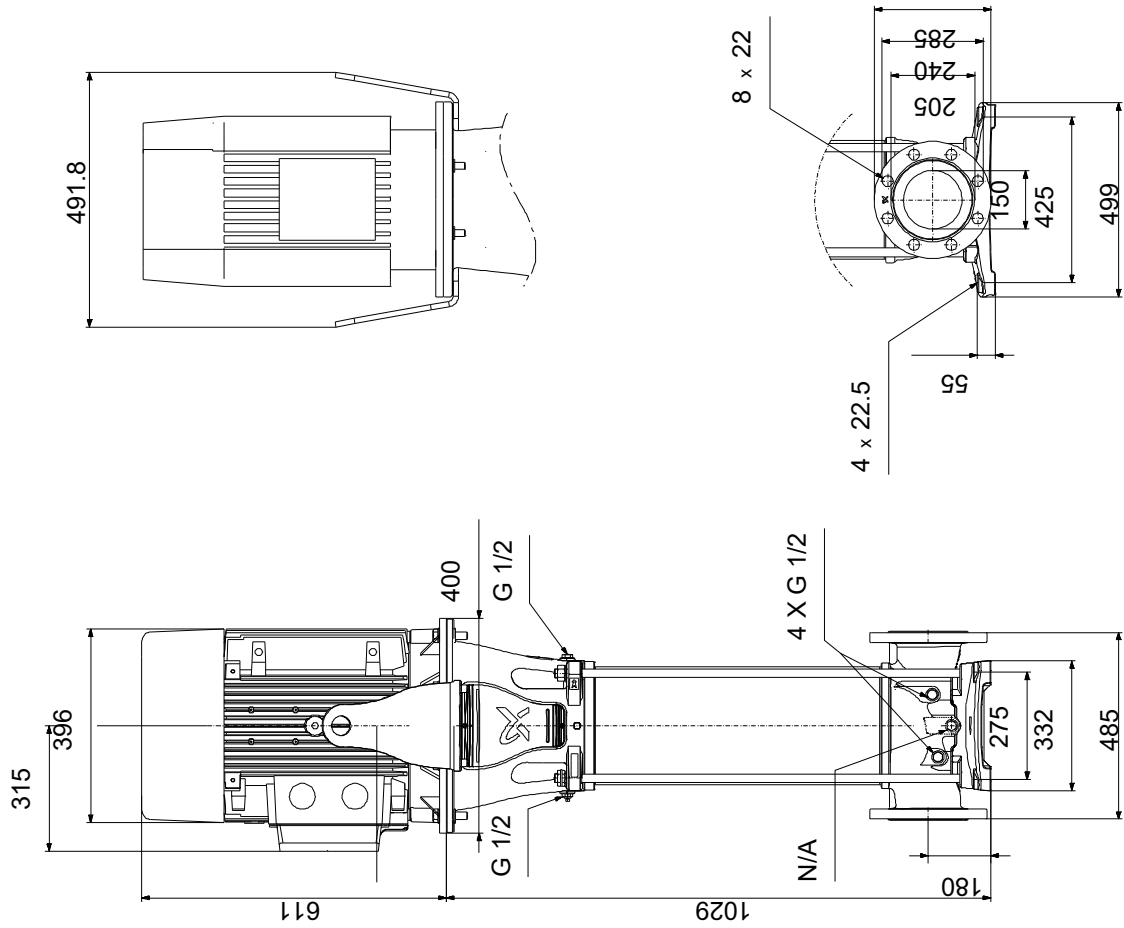


| Description | Value |
|--|----------------------------|
| General information: | |
| Product name: | CR 125-3-1 A-F-A-V-HQQV |
| Product No: | On request |
| EAN number: | On request |
| Technical: | |
| Pump speed on which pump data are based: | 2971 rpm |
| Rated flow: | 125 m ³ /h |
| Rated head: | 69 m |
| Maximum head: | 91.8 m |
| Impellers: | 3 |
| Number of reduced-diameter impellers: | 1 |
| Low NPSH: | N |
| Pump orientation: | Vertical |
| Shaft seal arrangement: | Single |
| Code for shaft seal: | HQQV |
| Approvals: | CE,EAC,UKCA,SEPRO |
| Curve tolerance: | ISO9906:2012 3B |
| Pump version: | A |
| Model: | A |
| Cooling: | IC 411 |
| Materials: | |
| Base: | Ductile cast iron |
| Base: | EN 1563 EN-GJS-500-7 |
| Base: | ASTM A536-84 65-45-12 |
| Impeller: | Stainless steel |
| Impeller: | EN 1.4301 |
| Impeller: | AISI 304 |
| Material code: | A |
| Code for rubber: | V |
| Bearing: | WC/WC |
| Support bearing: | Graflon |
| Material certified according to: | European standards |
| Installation: | |
| t max amb: | 55 °C |
| Maximum operating pressure: | 16 bar |
| Max pressure at stated temp: | 16 bar / 90 °C |
| Type of connection: | DIN |
| Size of inlet connection: | DN 150 |
| Size of outlet connection: | DN 150 |
| Pressure rating for connection: | PN 16 |
| Flange size for motor: | FF350 |
| Connect code: | F |
| Liquid: | |
| Pumped liquid: | Water |
| Liquid temperature range: | -20 .. 90 °C |
| Selected liquid temperature: | 20 °C |
| Density: | 998.2 kg/m ³ |
| Electrical data: | |
| Motor standard: | IEC |
| Motor type: | SIEMENS |
| IE Efficiency class: | IE3 |
| Rated power - P1: | 30 kW |
| Power (P2) required by pump: | 30 kW |
| Mains frequency: | 50 Hz |
| Rated voltage: | 3 x 380-420D/660-725Y V |
| Rated current: | 53/31 A |
| Starting current: | 700-700 % |
| Cos phi - power factor: | 0.87 |
| Rated speed: | 2955 rpm |
| Efficiency: | IE3 93,3% |
| Motor efficiency at full load: | 93.3-93.3 % |



| Description | Value |
|----------------------------------|---------------------|
| Motor efficiency at 3/4 load: | 93.5-93.5 % |
| Motor efficiency at 1/2 load: | 92.9-92.9 % |
| Number of poles: | 2 |
| Enclosure class (IEC 34-5): | IP55 |
| Insulation class (IEC 85): | F |
| Built-in motor protection: | PTC |
| Motor No: | 81U15332 |
| Controls: | |
| Frequency converter: | NONE |
| Others: | |
| Minimum efficiency index, MEI ≥: | 0.70 |
| Net weight: | 396 kg |
| Gross weight: | 460 kg |
| Shipping volume: | 1.14 m ³ |
| Thrust handling device: | N |
| Country of origin: | DK |
| Custom tariff no.: | 84137075 |

On request CR 125-3-1 A-F-A-V-HQQV 50 Hz



Note! All units are in [mm] unless others are stated.
 Disclaimer: This simplified dimensional drawing does not show all details.

On request CR 125-3-1 A-F-A-V-HQQV 50 Hz



IEC TP211 THERMALLY PROTECTED WHEN THE THERMISTORS ARE
 CONNECTED TO AMPLIFIER RELAY FOR CONTROL OF MAIN SUPPLY
 THERMISTORS PTC ACCORDING TO DIN 44082

Note! All units are in [mm] unless others are stated.

Order Data:

| Position | Your pos. | Product name | Amount | Product No | Total |
|-----------------|------------------|---------------------|---------------|-------------------|------------------|
| | | CR 125-3-1 | 1 | On request | Price on request |
| | | | | | |
| | | | | | |
| | | | | | |
| | | | | | |
| | | | | | |
| | | | | | |
| | | | | | |
| | | | | | |
| | | | | | |
| | | | | | |
| | | | | | |
| | | | | | |
| | | | | | |
| | | | | | |
| | | | | | |
| | | | | | |
| | | | | | |
| | | | | | |
| | | | | | |
| | | | | | |