

**Qty. Description**

1 CR 185-3 A-F-A-V-HQQV



**Note! Product picture may differ from actual product**

Product No.: [99143728](#)

Vertical, multistage centrifugal pump with inlet and outlet ports on same the level (inline). The pump head and base are in cast iron – all other wetted parts are in stainless steel. A built-in thrust-handling device absorbs hydraulic axial forces which enables the use of a standard motor.

The Grundfos cartridge shaft seal ensures high reliability, safe handling, and easy access and service. Power transmission is via a rigid split coupling. Pipe connection is via DIN flanges.

The pump is fitted with a 3-phase, fan-cooled asynchronous motor.

**Further product details**

Steel, cast iron and aluminium components have an epoxy-based coating made in a cathodic electro-deposition (CED) process.

CED is a high-quality dip-painting process where an electrical field around the products ensures deposition of paint particles as a thin, well-controlled layer on the surface.

An integral part of the process is a pretreatment.

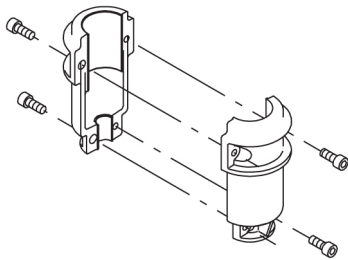
The entire process consists of these elements:

- 1) Alkaline-based cleaning.
- 2) Zinc phosphating.
- 3) Cathodic electro-deposition.
- 4) Curing to a dry film thickness 18-22 my m.

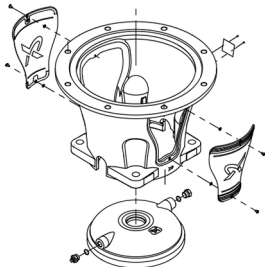
The colour code for the finished product is NCS 9000/RAL 9005.

**Pump**

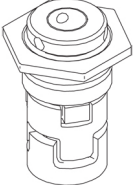
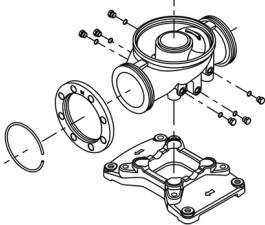
A long split coupling connects the pump and motor shaft. It is enclosed in the motor stool by means of two coupling guards. The long coupling makes it possible to replace the shaft seal without removing the motor from the pump.



The motor stool connects the pump head and motor. The pump head has a combined 1/2" priming plug and vent screw.

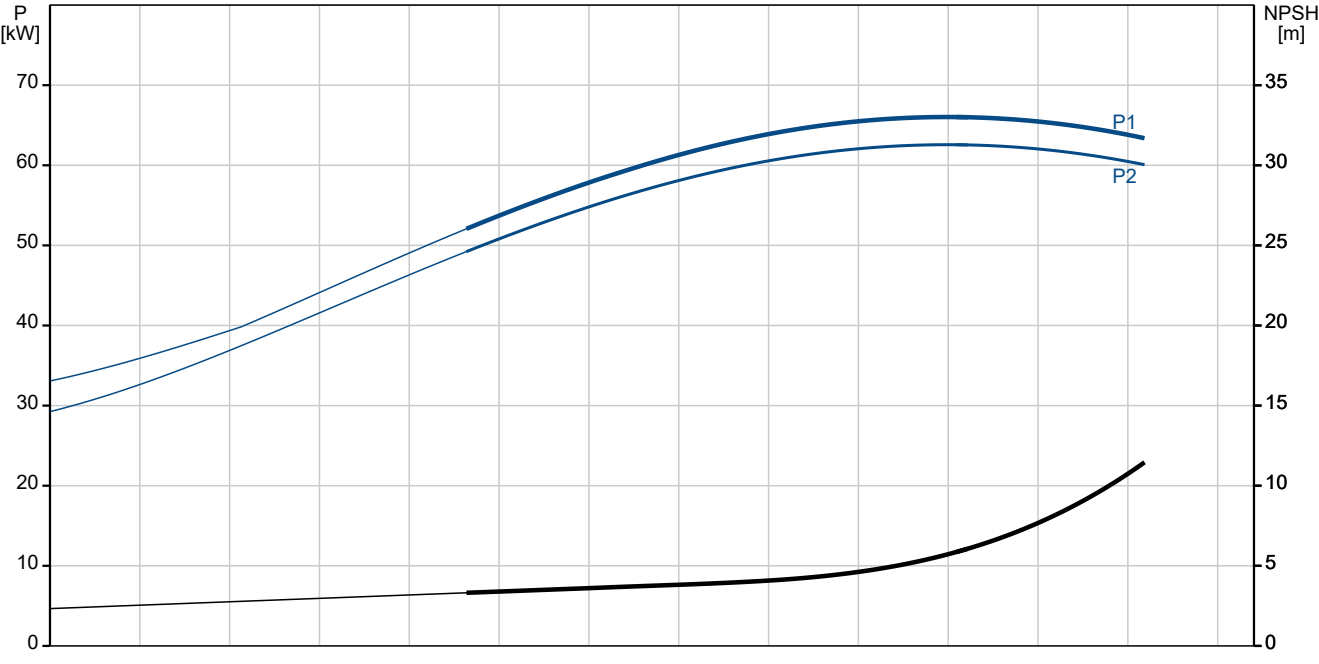
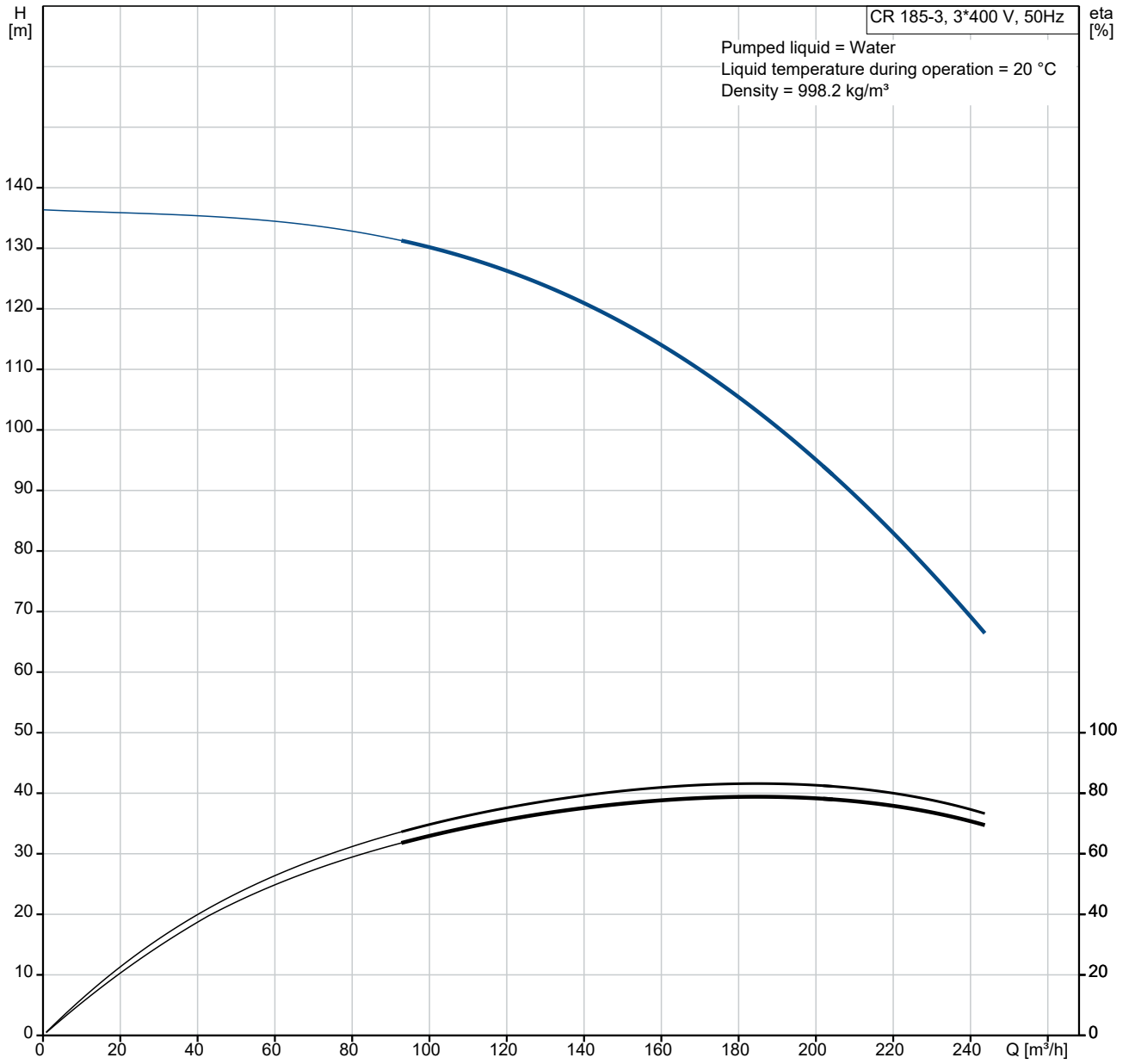


The pump is fitted with a balanced O-ring seal unit with a rigid torque-transmission system. This seal type is assembled in a cartridge unit which makes replacement safe and easy. Due to the balancing, this seal type is suitable for high-pressure applications.

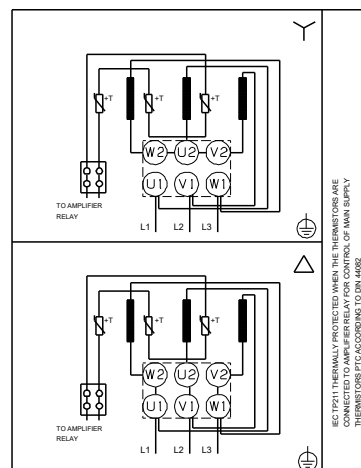
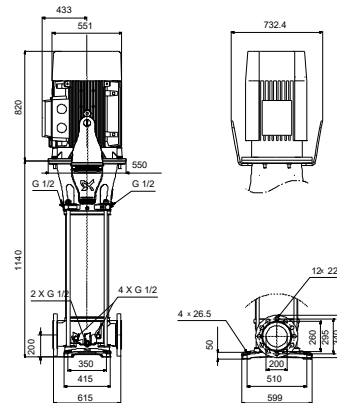
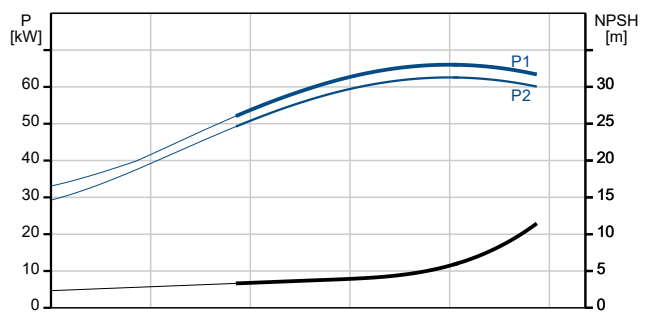
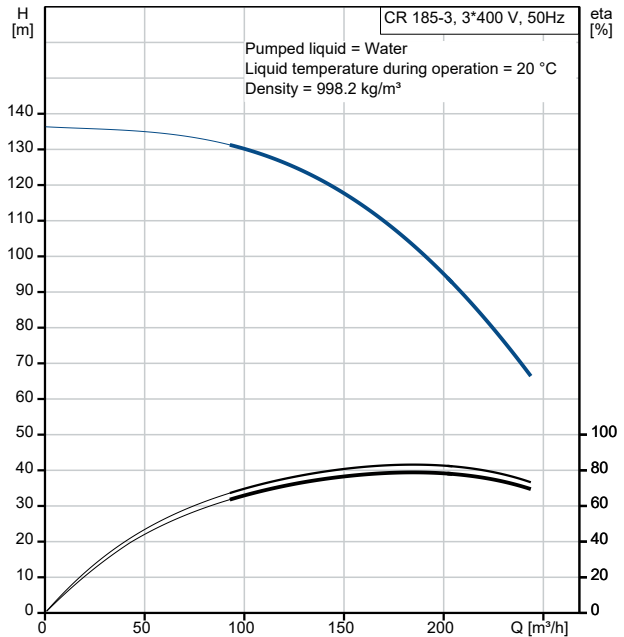
Qty.	Description																				
1	<p>The cartridge construction also protects the pump shaft from possible wear from a dynamic O-ring between pump shaft and shaft seal.</p> <p>Seal faces:</p> <ul style="list-style-type: none"> <li>• Rotating seal ring material: silicon carbide (SiC)</li> <li>• Stationary seat material: silicon carbide (SiC)</li> </ul> <p>This material pairing is used where higher corrosion resistance is required. The high hardness of this material pairing offers good resistance against abrasive particles.</p> <p>Secondary seal material: FKM (fluorocarbon rubber)</p> <p>FKM has excellent resistance to oils and chemicals. Above 90 °C, FKM should only be used in media without water.</p>  <p>The shaft seal is screwed into the pump head.</p> <p>The chambers and impellers are made of stainless-steel sheet. The chambers are provided with a PEEK neck ring offering improved sealing and high efficiency. The impellers have smooth surfaces, and the shape of the blades ensure a high efficiency.</p> <p>The base is made of cast iron and mounted on a separate cast-iron base plate. Both the inlet and the outlet side of the base have two pressure gauge tapings. The pump is secured to the foundation by four bolts through the base plate. The flanges are fastened to the base by means of locking rings.</p>  <p><b>Motor</b></p> <p>The motor is a totally enclosed, fan-cooled motor with principal dimensions to IEC and DIN standards. The motor is flange-mounted with free-hole flange (FF).</p> <p>Motor-mounting designation in accordance with IEC 60034-7: IM B 5 (Code I) / IM 3001 (Code II).</p> <p>Electrical tolerances comply with IEC 60034.</p> <p>The motor efficiency is classified as IE3 in accordance with IEC 60034-30-1.</p> <p>The motor has thermistors (PTC sensors) in the windings in accordance with DIN 44081/DIN 44082. The protection reacts to both slow- and quick-rising temperatures, e.g. constant overload and stalled conditions.</p> <p>Thermal switches must be connected to an external control circuit in a way which ensures that the automatic reset cannot cause accidents. The motors must be connected to a motor-protective circuit breaker according to local regulations.</p> <p>A variable speed drive makes adjustment of pump performance to any duty point possible. If the motor is to be connected to a variable speed drive, the pump must be ordered with an electrically insulated motor bearing.</p> <p><b>Technical data</b></p> <p>Liquid:</p> <table data-bbox="204 1738 695 1854"> <tr> <td>Pumped liquid:</td> <td>Water</td> </tr> <tr> <td>Liquid temperature range:</td> <td>-20 .. 90 °C</td> </tr> <tr> <td>Selected liquid temperature:</td> <td>20 °C</td> </tr> <tr> <td>Density:</td> <td>998.2 kg/m<sup>3</sup></td> </tr> </table> <p>Technical:</p> <table data-bbox="204 1912 820 2085"> <tr> <td>Pump speed on which pump data are based:</td> <td>2979 rpm</td> </tr> <tr> <td>Rated flow:</td> <td>185 m<sup>3</sup>/h</td> </tr> <tr> <td>Rated head:</td> <td>102.7 m</td> </tr> <tr> <td>Pump orientation:</td> <td>Vertical</td> </tr> <tr> <td>Shaft seal arrangement:</td> <td>Single</td> </tr> <tr> <td>Code for shaft seal:</td> <td>HQQV</td> </tr> </table>	Pumped liquid:	Water	Liquid temperature range:	-20 .. 90 °C	Selected liquid temperature:	20 °C	Density:	998.2 kg/m <sup>3</sup>	Pump speed on which pump data are based:	2979 rpm	Rated flow:	185 m <sup>3</sup> /h	Rated head:	102.7 m	Pump orientation:	Vertical	Shaft seal arrangement:	Single	Code for shaft seal:	HQQV
Pumped liquid:	Water																				
Liquid temperature range:	-20 .. 90 °C																				
Selected liquid temperature:	20 °C																				
Density:	998.2 kg/m <sup>3</sup>																				
Pump speed on which pump data are based:	2979 rpm																				
Rated flow:	185 m <sup>3</sup> /h																				
Rated head:	102.7 m																				
Pump orientation:	Vertical																				
Shaft seal arrangement:	Single																				
Code for shaft seal:	HQQV																				

Qty.	Description
1	<p>Approvals and markings: CE,EAC,UKCA,SEPRO  Approvals for drinking water: ACS  Curve tolerance: ISO9906:2012 3B</p> <p>Materials:</p> <p>Base: Ductile cast iron  EN 1563 EN-GJS-500-7  ASTM A536-84 65-45-12</p> <p>Impeller: Stainless steel  EN 1.4401  AISI 316</p> <p>Bearing arrangement: WC/WC  Support bearing: Graflon  Thrust handling device: SiC/WC  Material certified according to: European standards</p> <p>Installation:</p> <p>t max amb: 55 °C  Maximum operating pressure: 16 bar  Max pressure at stated temp: 16 bar / 90 °C  Type of connection: DIN  Size of inlet connection: DN 200  Size of outlet connection: DN 200  Pressure rating for connection: PN 16  Flange size for motor: FF500</p> <p>Electrical data:</p> <p>Motor standard: IEC  Motor type: SIEMENS  IE Efficiency class: IE3  Rated power - P2: 75 kW  Power (P2) required by pump: 75 kW  Mains frequency: 50 Hz  Rated voltage: 3 x 380-420D/660-725Y V  Rated current: 128/74 A  Starting current: 680-680 %  Cos phi - power factor: 0.89  Rated speed: 2975 rpm  Efficiency: IE3 94,7%  Motor efficiency at full load: 94.7-94.7 %  Motor efficiency at 3/4 load: 94.8-94.8 %  Motor efficiency at 1/2 load: 94.1-94.1 %  Number of poles: 2  Enclosure class (IEC 34-5): IP55  Insulation class (IEC 85): F  Motor No: 83U15240</p> <p>Controls:</p> <p>Frequency converter: NONE</p> <p>Others:</p> <p>Minimum efficiency index, MEI ≥: 0.70  Net weight: 836 kg  Gross weight: 999 kg  Shipping volume: 2.48 m³  Thrust handling device: Y  Country of origin: DK  Custom tariff no.: 84137075</p>

# 99143728 CR 185-3 A-F-A-V-HQQV 50 Hz

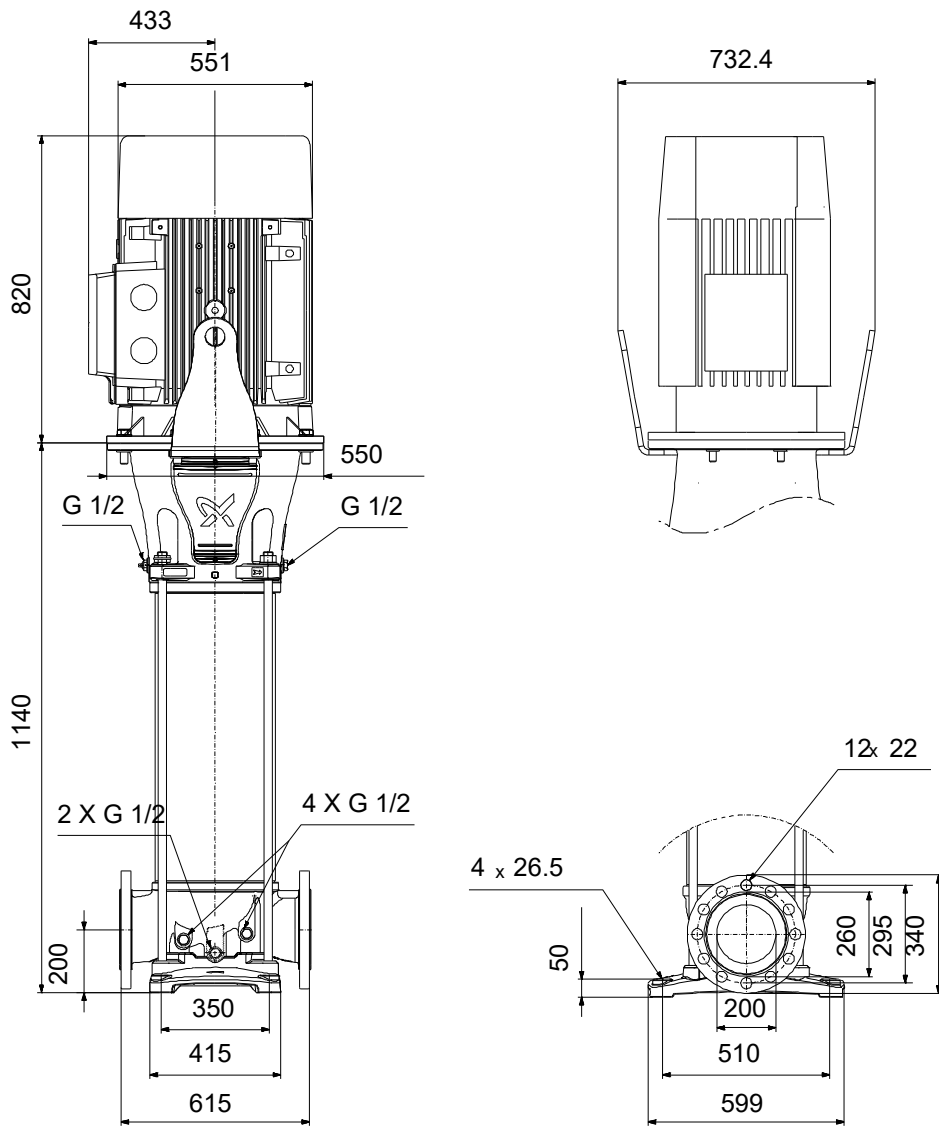


Description	Value
<b>General information:</b>	
Product name:	CR 185-3 A-F-A-V-HQQV
Product No:	99143728
EAN number:	5712607561741
<b>Technical:</b>	
Pump speed on which pump data are based:	2979 rpm
Rated flow:	185 m <sup>3</sup> /h
Rated head:	102.7 m
Maximum head:	136.2 m
Number of stages:	3
Impellers:	3
Number of reduced-diameter impellers:	0
Low NPSH:	N
Pump orientation:	Vertical
Shaft seal arrangement:	Single
Code for shaft seal:	HQQV
Approvals and markings:	CE,EAC,UKCA,SEPRO
Approvals for drinking water:	ACS
Curve tolerance:	ISO9906:2012 3B
Pump version:	A
The first model is called A which is followed by model B, C etc.:	A
Cooling according to IEC 34-6:	IC 411
<b>Materials:</b>	
Base:	Ductile cast iron
Base:	EN 1563 EN-GJS-500-7
Base:	ASTM A536-84 65-45-12
Impeller:	Stainless steel
Impeller:	EN 1.4401
Impeller:	AISI 316
Material code:	A
Code for rubber:	V
Bearing arrangement:	WC/WC
Support bearing:	Graflon
Thrust handling device:	SiC/WC
Material certified according to:	European standards
<b>Installation:</b>	
t max amb:	55 °C
Maximum operating pressure:	16 bar
Max pressure at stated temp:	16 bar / 90 °C
Type of connection:	DIN
Size of inlet connection:	DN 200
Size of outlet connection:	DN 200
Pressure rating for connection:	PN 16
Flange size for motor:	FF500
Connect code:	F
<b>Liquid:</b>	
Pumped liquid:	Water
Liquid temperature range:	-20 .. 90 °C
Selected liquid temperature:	20 °C
Density:	998.2 kg/m <sup>3</sup>
<b>Electrical data:</b>	
Motor standard:	IEC
Motor type:	SIEMENS
IE Efficiency class:	IE3
Rated power - P2:	75 kW
Power (P2) required by pump:	75 kW
Mains frequency:	50 Hz
Rated voltage:	3 x 380-420D/660-725Y V



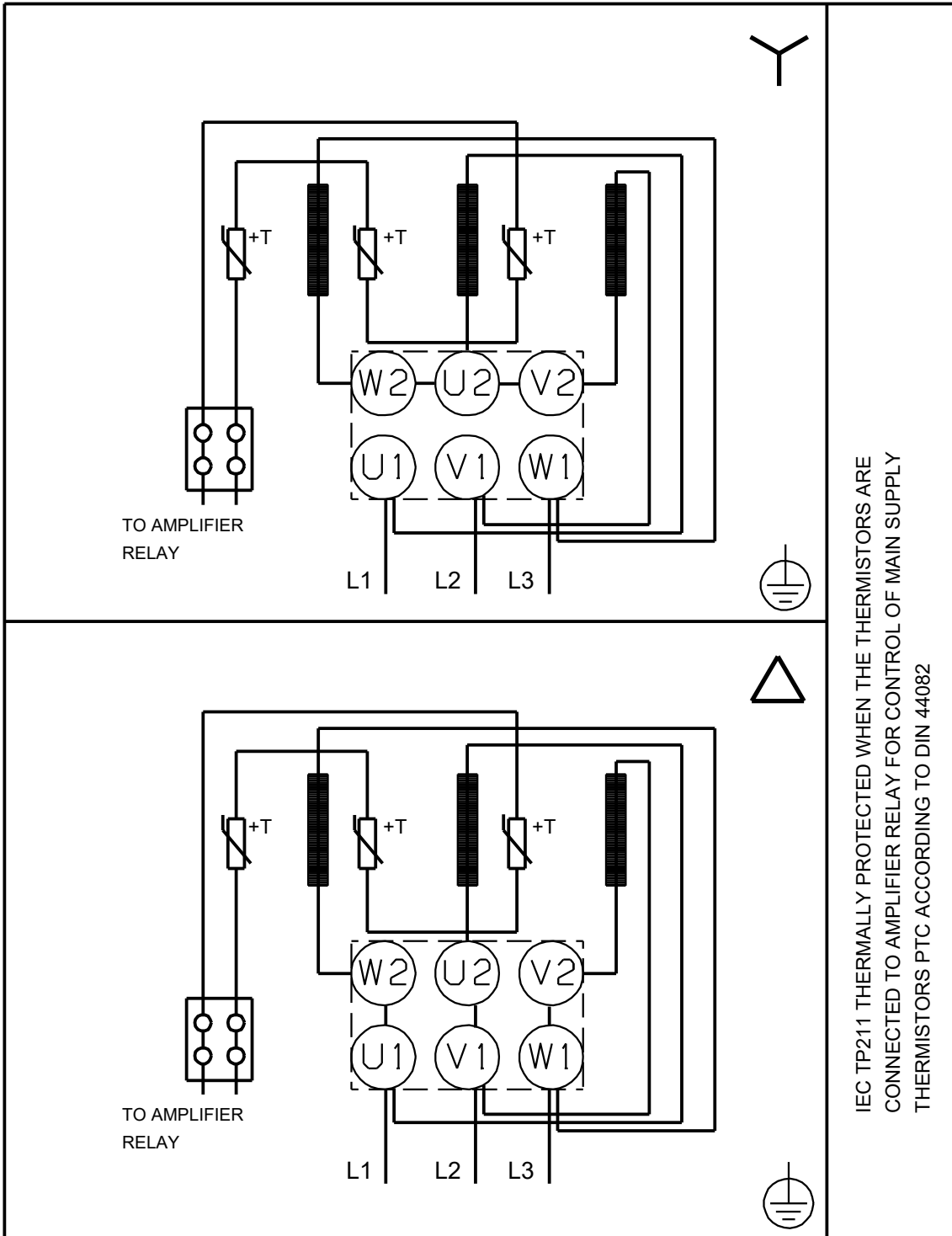
Description	Value
Rated current:	128/74 A
Starting current:	680-680 %
Cos phi - power factor:	0.89
Rated speed:	2975 rpm
Efficiency:	IE3 94,7%
Motor efficiency at full load:	94.7-94.7 %
Motor efficiency at 3/4 load:	94.8-94.8 %
Motor efficiency at 1/2 load:	94.1-94.1 %
Number of poles:	2
Enclosure class (IEC 34-5):	IP55
Insulation class (IEC 85):	F
Built-in motor protection:	PTC
Motor No:	83U15240
<b>Controls:</b>	
Frequency converter:	NONE
<b>Others:</b>	
Minimum efficiency index, MEI ≥:	0.70
Net weight:	836 kg
Gross weight:	999 kg
Shipping volume:	2.48 m <sup>3</sup>
Thrust handling device:	Y
Country of origin:	DK
Custom tariff no.:	84137075

# 99143728 CR 185-3 A-F-A-V-HQQV 50 Hz



Note! All units are in [mm] unless others are stated.  
 Disclaimer: This simplified dimensional drawing does not show all details.

# 99143728 CR 185-3 A-F-A-V-HQQV 50 Hz



IEC TP211 THERMALLY PROTECTED WHEN THE THERMISTORS ARE  
 CONNECTED TO AMPLIFIER RELAY FOR CONTROL OF MAIN SUPPLY  
 THERMISTORS PTC ACCORDING TO DIN 44082

Note! All units are in [mm] unless others are stated.

