
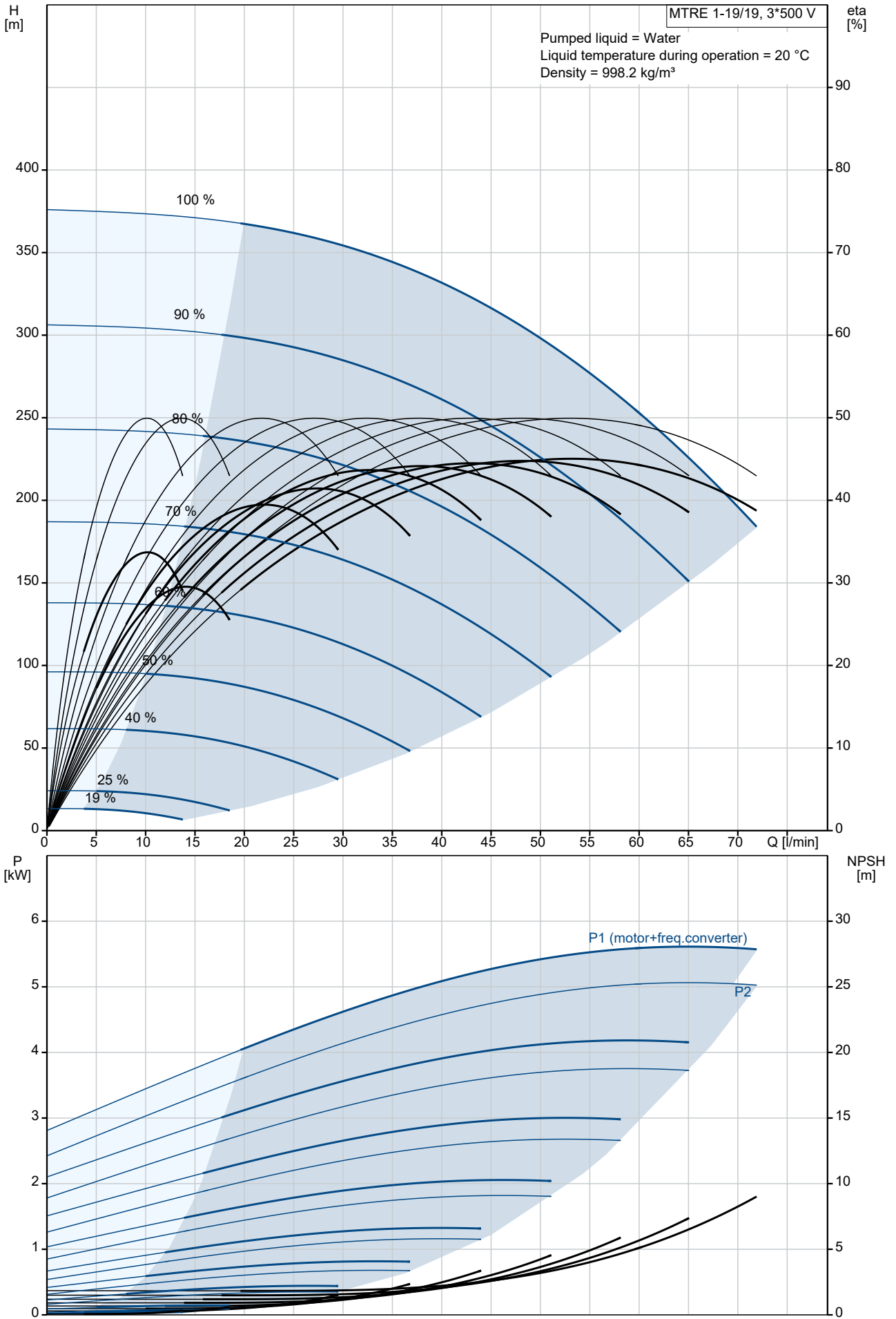


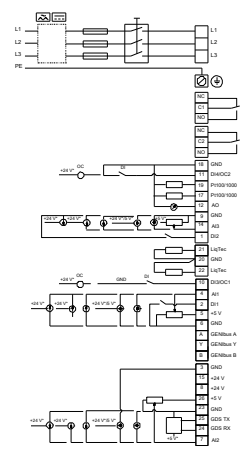
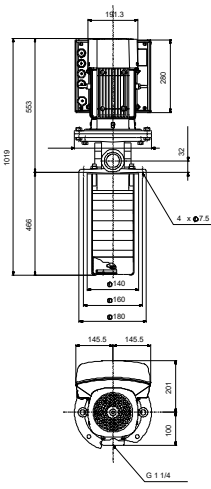
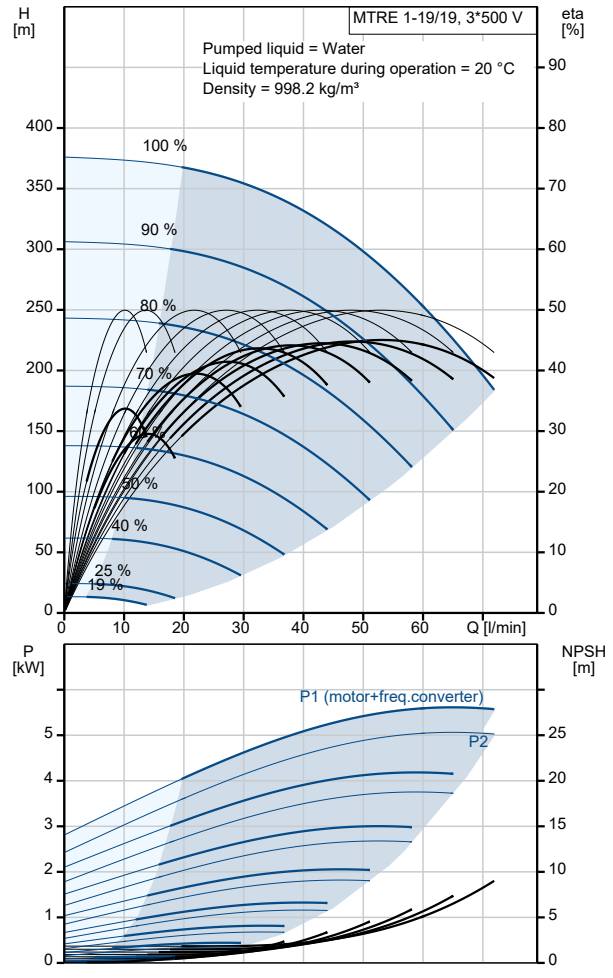
Qty.	Description
1	<p data-bbox="196 159 534 185">MTRE 1-19/19 HS-W-A-HUUV</p>  <p data-bbox="196 481 478 508">Product No.: On request</p> <p data-bbox="196 539 1426 620">Multistage, immersible, self-priming, centrifugal pump for vertical installation in tanks etc. The pump head and base are in cast iron – all other wetted parts are in stainless steel. MTRE-HS is a single-pump solution capable of generating up to 38 bar.</p> <p data-bbox="196 627 667 654">The pump has the following characteristics:</p> <ul data-bbox="236 658 1115 772" style="list-style-type: none"> • Dimensions according to DIN 5440. • Impellers, intermediate chambers and spline shaft are made of Stainless steel. • Mechanical shaft seal according to EN 12756. • Power transmission via sintered metal split coupling. <p data-bbox="196 777 1431 828">A cartridge shaft seal ensures high reliability, safe handling, and easy access and service. The pump is fitted with a 3-phase, fan-cooled, permanent-magnet, synchronous motor.</p> <p data-bbox="196 833 1394 884">The motor includes a frequency converter and PI controller in the motor terminal box. This enables continuously variable control of the motor speed, which again enables adaptation of the performance to a given requirement.</p> <p data-bbox="196 889 1449 965">An operating panel on the motor terminal box enables setting of required setpoint as well as setting of pump to "Min." or "Max." operation or to "Stop". The Grundfos Eye indicator on the operating panel provides visual indication of pump status:</p> <ul data-bbox="236 976 1458 1122" style="list-style-type: none"> • "Power on": Motor is running (rotating green indicator lights) or not running (permanently green indicator lights) • "Warning": Motor is still running (rotating yellow indicator lights) or has stopped (permanently yellow indicator lights) • "Alarm": Motor has stopped (flashing red indicator lights). <p data-bbox="196 1126 1422 1198">Communication with the pump is possible by means of Grundfos GO Remote (accessory). The remote control enables further settings as well as reading out of a number of parameters such as "Actual value", "Speed", "Power input" and total "Power consumption".</p> <p data-bbox="196 1207 1437 1258">The terminal box has a number of inputs and outputs enabling the motor to be used in advanced applications where many inputs and outputs are required:</p> <ul data-bbox="236 1265 900 1621" style="list-style-type: none"> • two dedicated digital inputs • three analog inputs, 0(4)-20 mA, 0-5 V, 0-10 V, 0.5 - 3.5 V • 5 V voltage supply to potentiometer and sensor • one analog output, 0-10 V, 0(4)-20 mA • two configurable digital inputs or open-collector outputs • two Pt100/Pt1000 inputs • LiqTec, dry-running protection sensor input • Grundfos Digital Sensor input and output • 24 V voltage supply for sensors • two signal-relay outputs (potential-free contacts) • GENIbus connection • interface for Grundfos CIM fieldbus module. <p data-bbox="196 1653 300 1680">Controls:</p> <p data-bbox="196 1684 641 1711">Frequency converter: Built-in</p> <p data-bbox="196 1742 276 1769">Liquid:</p> <p data-bbox="196 1774 632 1800">Pumped liquid: Water</p> <p data-bbox="196 1805 691 1832">Liquid temperature range: -10 .. 90 °C</p> <p data-bbox="196 1836 628 1863">Selected liquid temperature: 20 °C</p> <p data-bbox="196 1868 695 1895">Density: 998.2 kg/m³</p> <p data-bbox="196 1921 314 1948">Technical:</p> <p data-bbox="196 1953 820 1980">Pump speed on which pump data are based: 5282 rpm</p> <p data-bbox="196 1984 652 2011">Rated flow: 30 l/min</p> <p data-bbox="196 2016 635 2042">Rated head: 312 m</p> <p data-bbox="196 2047 595 2074">Chambers: 19</p> <p data-bbox="196 2078 584 2105">Drainage back to tank: N</p>

Qty.	Description
1	<p>Pump orientation: Vertical</p> <p>Code for shaft seal: HUUUV</p> <p>Approvals: CE</p> <p>Approvals on motor nameplate: CE,RCM,cURus,EAC,IES2,IE5,UKCA</p> <p>Curve tolerance: ISO9906:2012 3B</p> <p>Cable gland entry: 4xM20 + M25 blind plug</p> <p>Materials:</p> <p>Pump head: Cast iron EN 1561 EN-GJL-200 ASTM A48-25B</p> <p>Impeller: Stainless steel EN 1.4301 AISI 304</p> <p>Installation:</p> <p>t max amb: 50 °C</p> <p>Maximum operating pressure: 38 bar</p> <p>Max pressure at stated temp: 38 bar / 90 °C</p> <p>Type of connection: G</p> <p>Size of outlet connection: 1 1/4 inch</p> <p>Immersion depth: 466 mm</p> <p>Flange size for motor: FF265</p> <p>Electrical data:</p> <p>Motor standard: IEC</p> <p>Motor type: 132SE</p> <p>IE Efficiency class: IE5</p> <p>Rated power - P2: 5.5 kW</p> <p>Mains frequency: 50 / 60 Hz</p> <p>Suitable for 50/60 Hz: Y</p> <p>Rated voltage: 3 x 380-500 V</p> <p>Rated current: 10.5-8.30 A</p> <p>Cos phi - power factor: 0.92-0.88</p> <p>Rated speed: 480-5900 rpm</p> <p>Efficiency: 90.5%</p> <p>Motor efficiency at full load: 90.5 %</p> <p>Enclosure class (IEC 34-5): IP55</p> <p>Insulation class (IEC 85): F</p> <p>Motor No: 98971056</p> <p>Cable gland entry: 4xM20 + M25 blind plug</p> <p>Others:</p> <p>Minimum efficiency index, MEI ≥: 0.70</p> <p>Net weight: 68.3 kg</p> <p>Gross weight: 93 kg</p> <p>Shipping volume: 0 m³</p> <p>Danish VVS No.: 386981019</p> <p>Country of origin: HU</p> <p>Custom tariff no.: 84137075</p>

On request MTRE 1-19/19 HS-W-A-HUUV

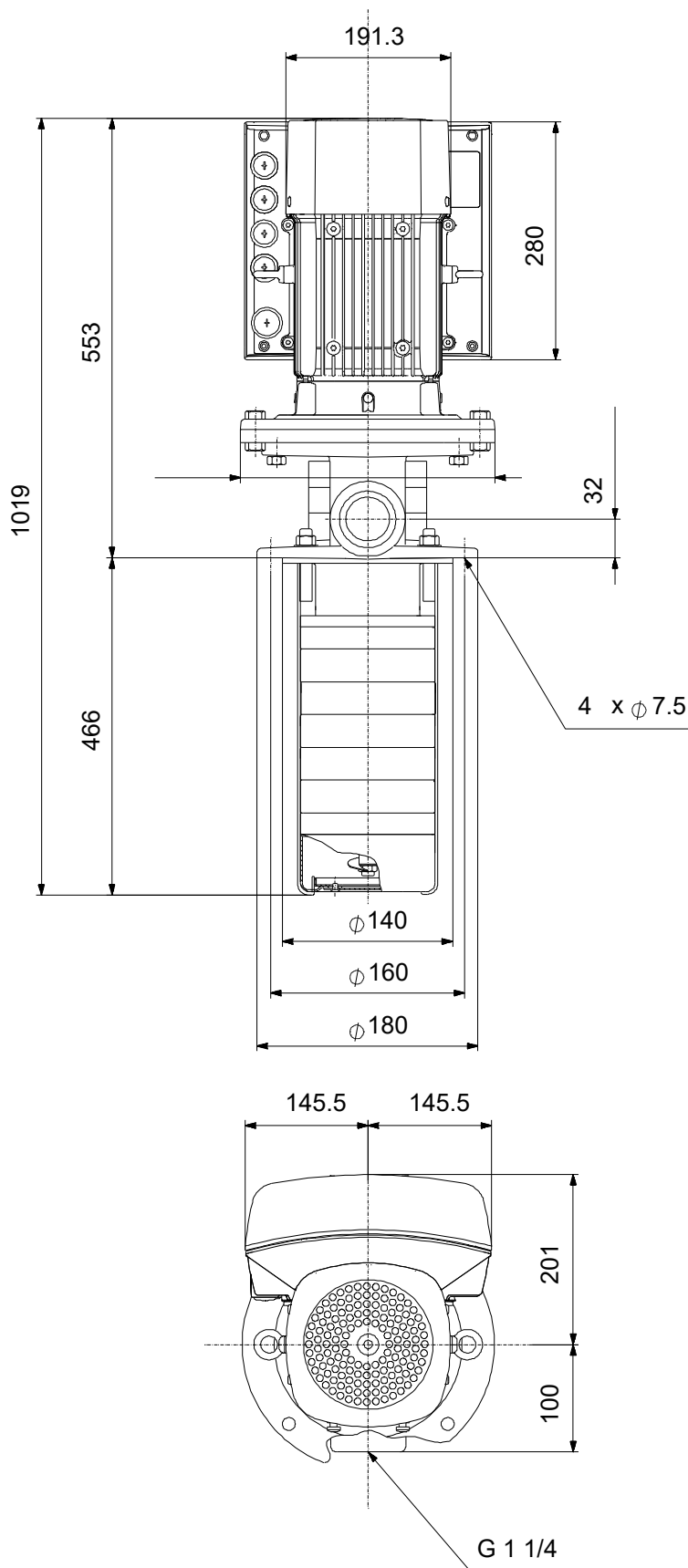


Description	Value
General information:	
Product name:	MTRE 1-19/19 HS-W-A-HUUV
Product No:	On request
EAN number:	On request
Technical:	
Pump speed on which pump data are based:	5282 rpm
Rated flow:	30 l/min
Rated head:	312 m
Chambers:	19
Impellers:	19
Number of reduced-diameter impellers:	0
Drainage back to tank:	N
Pump orientation:	Vertical
Code for shaft seal:	HUUV
Approvals:	CE
Approvals on motor nameplate:	CE,RCM,cURus,EAC,IES2,IE5,UKCA
Curve tolerance:	ISO9906:2012 3B
Pump version:	HS
Model:	A
Cable gland entry:	4xM20 + M25 blind plug
Materials:	
Pump head:	Cast iron
Pump head:	EN 1561 EN-GJL-200
Pump head:	ASTM A48-25B
Impeller:	Stainless steel
Impeller:	EN 1.4301
Impeller:	AISI 304
Material code:	A
Installation:	
t max amb:	50 °C
Maximum operating pressure:	38 bar
Max pressure at stated temp:	38 bar / 90 °C
Type of connection:	G
Size of outlet connection:	1 1/4 inch
Immersion depth:	466 mm
Flange size for motor:	FF265
Connect code:	W
Liquid:	
Pumped liquid:	Water
Liquid temperature range:	-10 .. 90 °C
Selected liquid temperature:	20 °C
Density:	998.2 kg/m ³
Electrical data:	
Motor standard:	IEC
Motor type:	132SE
IE Efficiency class:	IE5
Rated power - P2:	5.5 kW
Mains frequency:	50 / 60 Hz
Suitable for 50/60 Hz:	Y
Rated voltage:	3 x 380-500 V
Rated current:	10.5-8.30 A
Cos phi - power factor:	0.92-0.88
Rated speed:	480-5900 rpm
Efficiency:	90.5%
Motor efficiency at full load:	90.5 %
Enclosure class (IEC 34-5):	IP55
Insulation class (IEC 85):	F
Built-in motor protection:	ELEC
Motor No:	98971056
Cable gland entry:	4xM20 + M25 blind plug
Controls:	



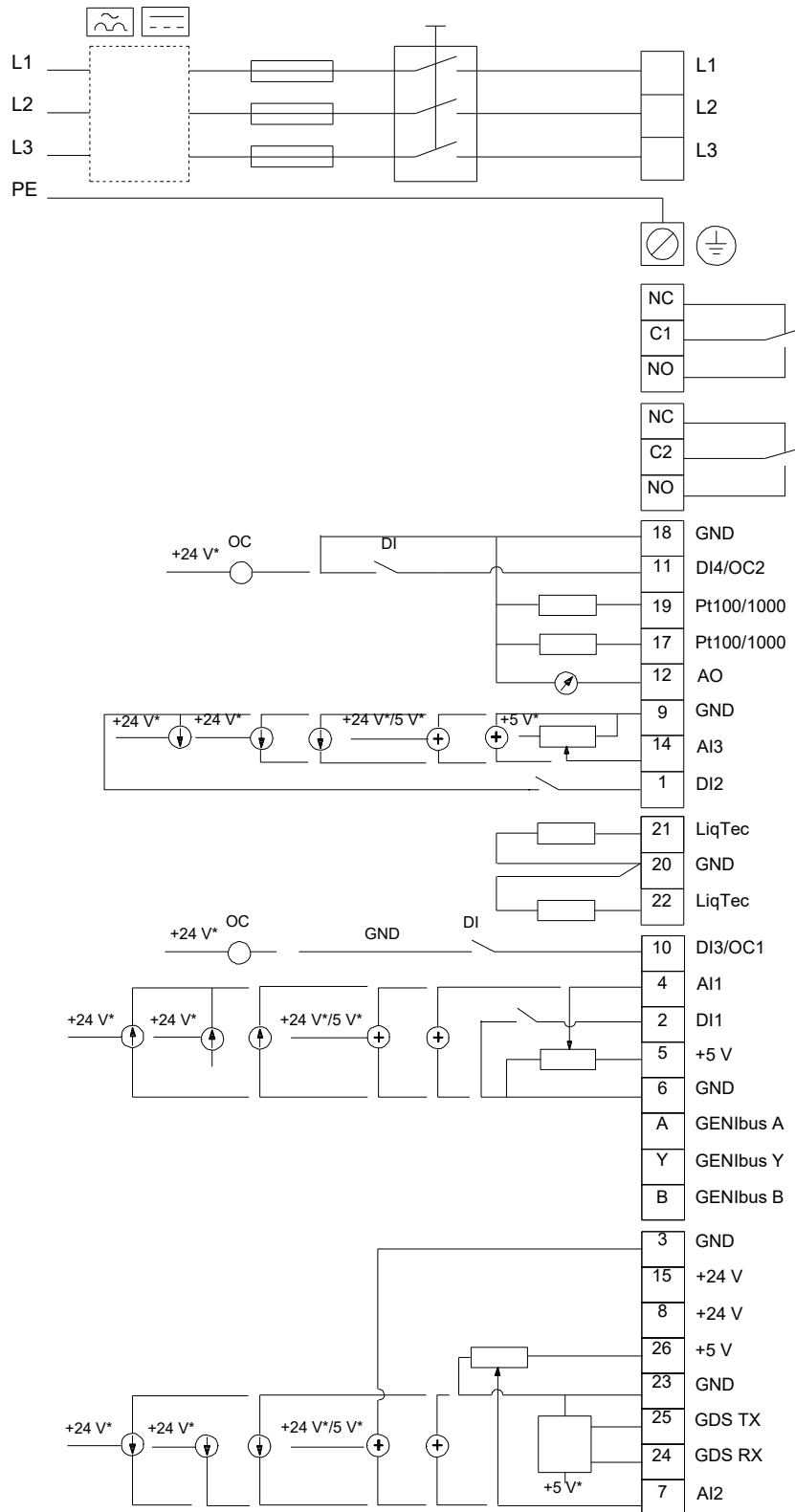
Description	Value
Control panel:	Standard
Function Module:	FM300 - Advanced
Frequency converter:	Built-in
Others:	
Minimum efficiency index, MEI ≥:	0.70
Net weight:	68.3 kg
Gross weight:	93 kg
Shipping volume:	0 m ³
Danish VVS No.:	386981019
Country of origin:	HU
Custom tariff no.:	84137075

On request MTRE 1-19/19 HS-W-A-HUUV



Note! All units are in [mm] unless others are stated.
Disclaimer: This simplified dimensional drawing does not show all details.

On request MTRE 1-19/19 HS-W-A-HUUV



Note! All units are in [mm] unless others are stated.

