
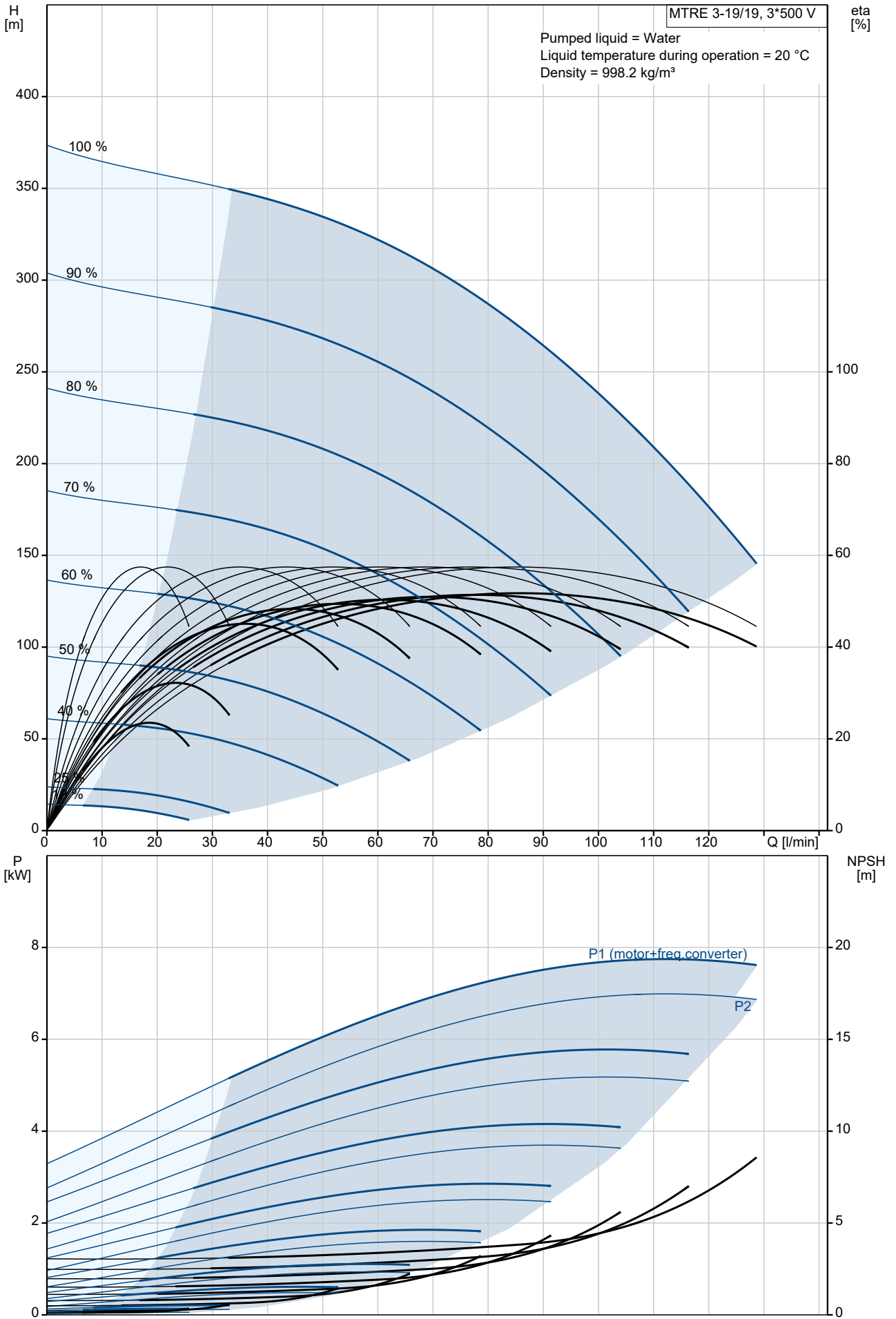


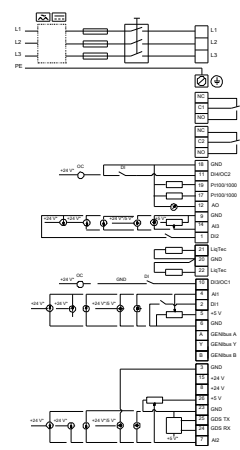
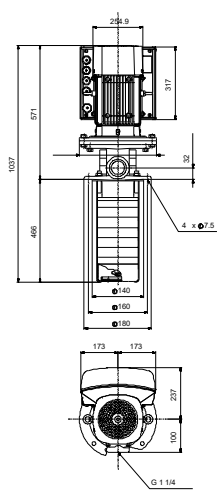
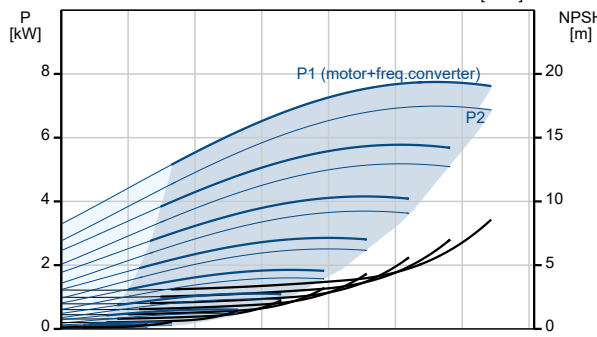
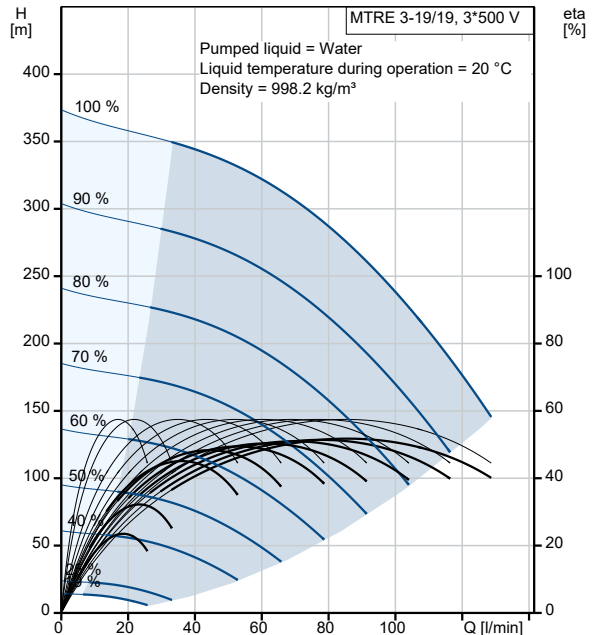
Qty.	Description
1	<p data-bbox="199 159 534 190">MTRE 3-19/19 HS-W-A-HUUV</p>  <p data-bbox="199 481 478 512">Product No.: On request</p> <p data-bbox="199 542 1428 622">Multistage, immersible, self-priming, centrifugal pump for vertical installation in tanks etc. The pump head and base are in cast iron – all other wetted parts are in stainless steel. MTRE-HS is a single-pump solution capable of generating up to 38 bar.</p> <p data-bbox="199 629 667 660">The pump has the following characteristics:</p> <ul data-bbox="239 660 1117 779" style="list-style-type: none"> • Dimensions according to DIN 5440. • Impellers, intermediate chambers and spline shaft are made of Stainless steel. • Mechanical shaft seal according to EN 12756. • Power transmission via sintered metal split coupling. <p data-bbox="199 779 1428 833">A cartridge shaft seal ensures high reliability, safe handling, and easy access and service. The pump is fitted with a 3-phase, fan-cooled, permanent-magnet, synchronous motor.</p> <p data-bbox="199 840 1396 893">The motor includes a frequency converter and PI controller in the motor terminal box. This enables continuously variable control of the motor speed, which again enables adaptation of the performance to a given requirement.</p> <p data-bbox="199 900 1452 981">An operating panel on the motor terminal box enables setting of required setpoint as well as setting of pump to "Min." or "Max." operation or to "Stop". The Grundfos Eye indicator on the operating panel provides visual indication of pump status:</p> <ul data-bbox="239 981 1460 1131" style="list-style-type: none"> • "Power on": Motor is running (rotating green indicator lights) or not running (permanently green indicator lights) • "Warning": Motor is still running (rotating yellow indicator lights) or has stopped (permanently yellow indicator lights) • "Alarm": Motor has stopped (flashing red indicator lights). <p data-bbox="199 1131 1428 1207">Communication with the pump is possible by means of Grundfos GO Remote (accessory). The remote control enables further settings as well as reading out of a number of parameters such as "Actual value", "Speed", "Power input" and total "Power consumption".</p> <p data-bbox="199 1214 1444 1267">The terminal box has a number of inputs and outputs enabling the motor to be used in advanced applications where many inputs and outputs are required:</p> <ul data-bbox="239 1267 901 1630" style="list-style-type: none"> • two dedicated digital inputs • three analog inputs, 0(4)-20 mA, 0-5 V, 0-10 V, 0.5 - 3.5 V • 5 V voltage supply to potentiometer and sensor • one analog output, 0-10 V, 0(4)-20 mA • two configurable digital inputs or open-collector outputs • two Pt100/Pt1000 inputs • LiqTec, dry-running protection sensor input • Grundfos Digital Sensor input and output • 24 V voltage supply for sensors • two signal-relay outputs (potential-free contacts) • GENIbus connection • interface for Grundfos CIM fieldbus module. <p data-bbox="199 1659 295 1691">Controls:</p> <p data-bbox="199 1691 646 1722">Frequency converter: Built-in</p> <p data-bbox="199 1751 279 1783">Liquid:</p> <p data-bbox="199 1783 630 1814">Pumped liquid: Water</p> <p data-bbox="199 1814 694 1845">Liquid temperature range: -10 .. 90 °C</p> <p data-bbox="199 1845 630 1877">Selected liquid temperature: 20 °C</p> <p data-bbox="199 1877 694 1908">Density: 998.2 kg/m³</p> <p data-bbox="199 1937 311 1968">Technical:</p> <p data-bbox="199 1968 821 2000">Pump speed on which pump data are based: 5060 rpm</p> <p data-bbox="199 2000 662 2031">Rated flow: 50 l/min</p> <p data-bbox="199 2031 662 2063">Rated head: 350.7 m</p> <p data-bbox="199 2063 598 2094">Chambers: 19</p> <p data-bbox="199 2094 582 2125">Drainage back to tank: N</p>

Qty.	Description
1	<p>Pump orientation: Vertical</p> <p>Code for shaft seal: HUUUV</p> <p>Approvals: CE</p> <p>Approvals on motor nameplate: CE,RCM,cURus,EAC,IES2,IE5,UKCA</p> <p>Curve tolerance: ISO9906:2012 3B</p> <p>Cable gland entry: 5xM20 + M32 blind plug</p> <p>Materials:</p> <p>Pump head: Cast iron EN 1561 EN-GJL-200 ASTM A48-25B</p> <p>Impeller: Stainless steel EN 1.4301 AISI 304</p> <p>Installation:</p> <p>t max amb: 50 °C</p> <p>Maximum operating pressure: 38 bar</p> <p>Max pressure at stated temp: 38 bar / 90 °C</p> <p>Type of connection: G</p> <p>Size of outlet connection: 1 1/4 inch</p> <p>Immersion depth: 466 mm</p> <p>Flange size for motor: FF265</p> <p>Electrical data:</p> <p>Motor standard: IEC</p> <p>Motor type: 132SF</p> <p>IE Efficiency class: IE5</p> <p>Rated power - P2: 7.5 kW</p> <p>Mains frequency: 50 / 60 Hz</p> <p>Suitable for 50/60 Hz: Y</p> <p>Rated voltage: 3 x 380-500 V</p> <p>Rated current: 14.2-11.3 A</p> <p>Cos phi - power factor: 0.93-0.89</p> <p>Rated speed: 480-5900 rpm</p> <p>Efficiency: 90.9%</p> <p>Motor efficiency at full load: 90.9 %</p> <p>Enclosure class (IEC 34-5): IP55</p> <p>Insulation class (IEC 85): F</p> <p>Motor No: 98971057</p> <p>Cable gland entry: 5xM20 + M32 blind plug</p> <p>Others:</p> <p>Terminal box position: 6</p> <p>Minimum efficiency index, MEI ≥: 0.70</p> <p>Net weight: 73.9 kg</p> <p>Gross weight: 75 kg</p> <p>Shipping volume: 0 m³</p> <p>Danish VVS No.: 386983019</p> <p>Country of origin: HU</p> <p>Custom tariff no.: 84137075</p>

On request MTRE 3-19/19 HS-W-A-HUUV

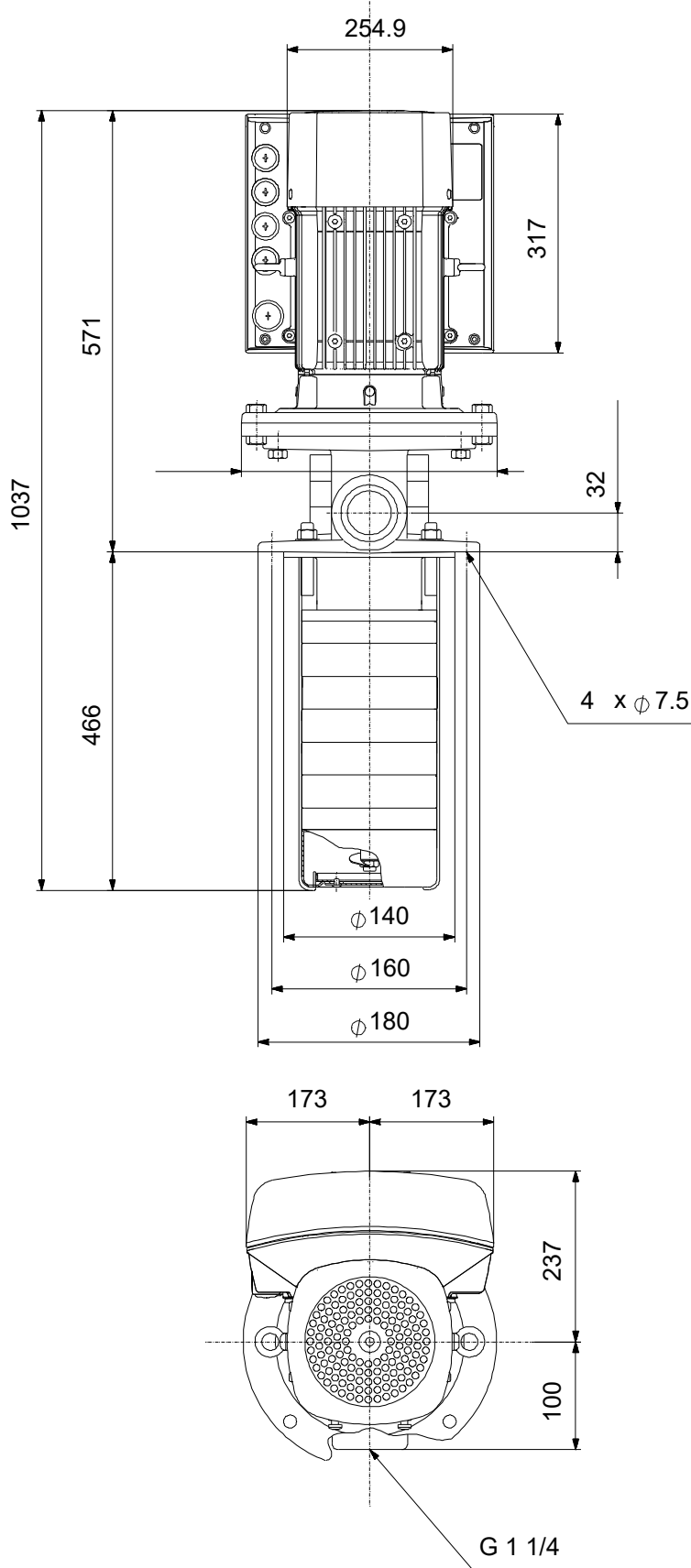


Description	Value
General information:	
Product name:	MTRE 3-19/19 HS-W-A-HUUV
Product No:	On request
EAN number:	On request
Technical:	
Pump speed on which pump data are based:	5060 rpm
Rated flow:	50 l/min
Rated head:	350.7 m
Chambers:	19
Impellers:	19
Number of reduced-diameter impellers:	0
Drainage back to tank:	N
Pump orientation:	Vertical
Code for shaft seal:	HUUV
Approvals:	CE
Approvals on motor nameplate:	CE,RCM,cURus,EAC,IES2,IE5,UKCA
Curve tolerance:	ISO9906:2012 3B
Pump version:	HS
Model:	A
Cable gland entry:	5xM20 + M32 blind plug
Materials:	
Pump head:	Cast iron
Pump head:	EN 1561 EN-GJL-200
Pump head:	ASTM A48-25B
Impeller:	Stainless steel
Impeller:	EN 1.4301
Impeller:	AISI 304
Material code:	A
Installation:	
t max amb:	50 °C
Maximum operating pressure:	38 bar
Max pressure at stated temp:	38 bar / 90 °C
Type of connection:	G
Size of outlet connection:	1 1/4 inch
Immersion depth:	466 mm
Flange size for motor:	FF265
Connect code:	W
Liquid:	
Pumped liquid:	Water
Liquid temperature range:	-10 .. 90 °C
Selected liquid temperature:	20 °C
Density:	998.2 kg/m ³
Electrical data:	
Motor standard:	IEC
Motor type:	132SF
IE Efficiency class:	IE5
Rated power - P2:	7.5 kW
Mains frequency:	50 / 60 Hz
Suitable for 50/60 Hz:	Y
Rated voltage:	3 x 380-500 V
Rated current:	14.2-11.3 A
Cos phi - power factor:	0.93-0.89
Rated speed:	480-5900 rpm
Efficiency:	90.9%
Motor efficiency at full load:	90.9 %
Enclosure class (IEC 34-5):	IP55
Insulation class (IEC 85):	F
Built-in motor protection:	ELEC
Motor No:	98971057
Cable gland entry:	5xM20 + M32 blind plug
Controls:	



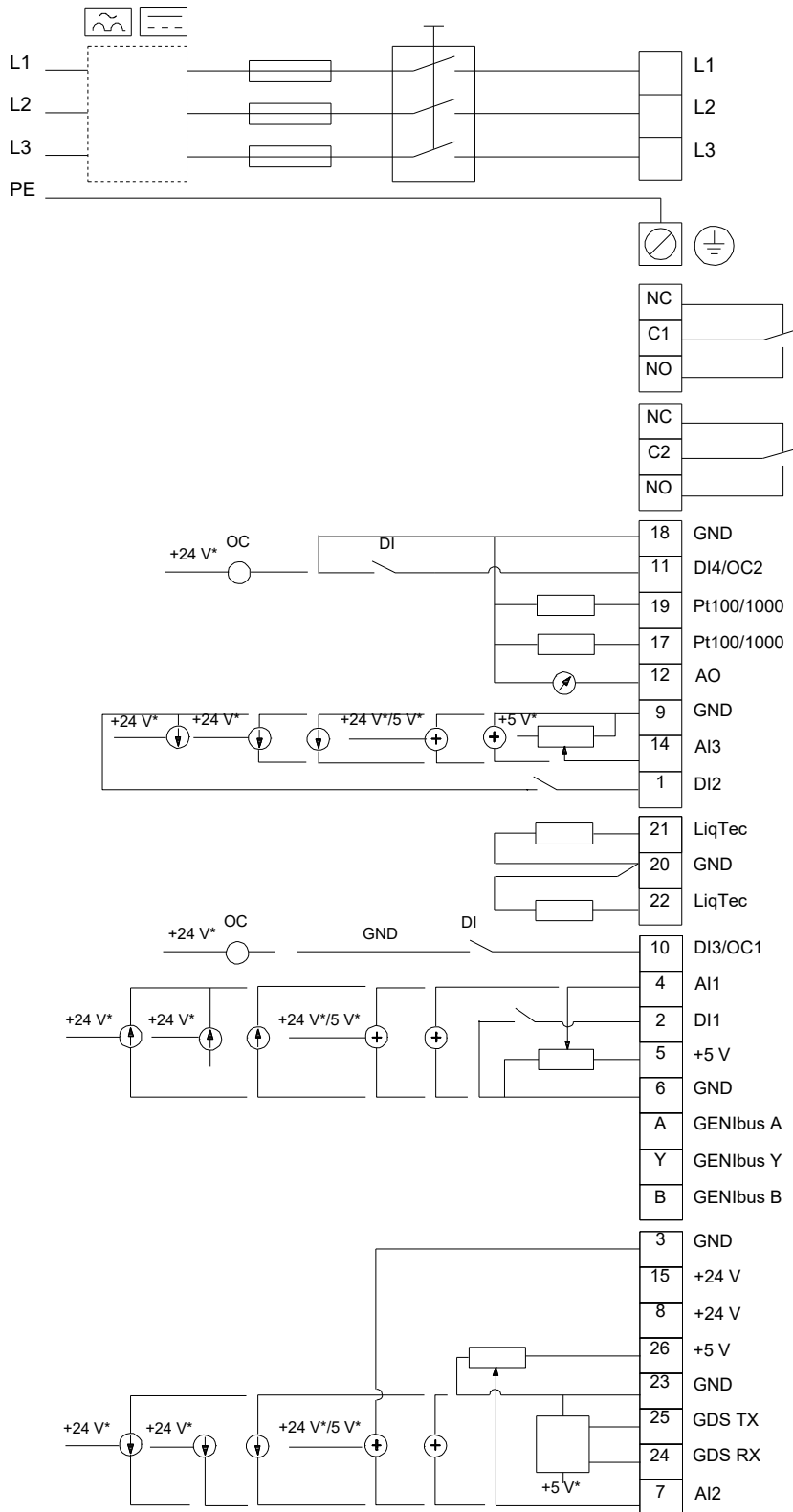
Description	Value
Control panel:	Standard
Function Module:	FM300 - Advanced
Frequency converter:	Built-in
Others:	
Terminal box position:	6
Minimum efficiency index, MEI ≥:	0.70
Net weight:	73.9 kg
Gross weight:	75 kg
Shipping volume:	0 m ³
Danish VVS No.:	386983019
Country of origin:	HU
Custom tariff no.:	84137075

On request MTRE 3-19/19 HS-W-A-HUUV



Note! All units are in [mm] unless others are stated.
Disclaimer: This simplified dimensional drawing does not show all details.

On request MTRE 3-19/19 HS-W-A-HUUV



Note! All units are in [mm] unless others are stated.

Order Data:

Position	Your pos.	Product name	Amount	Product No	Total
		MTRE 3-19/19	1	On request	Price on request