
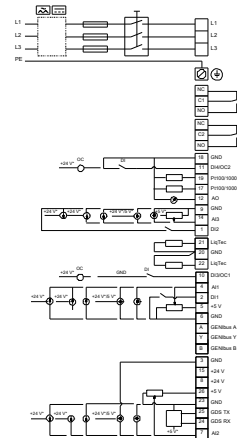
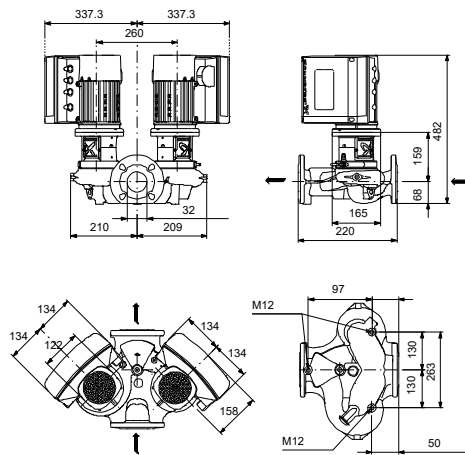
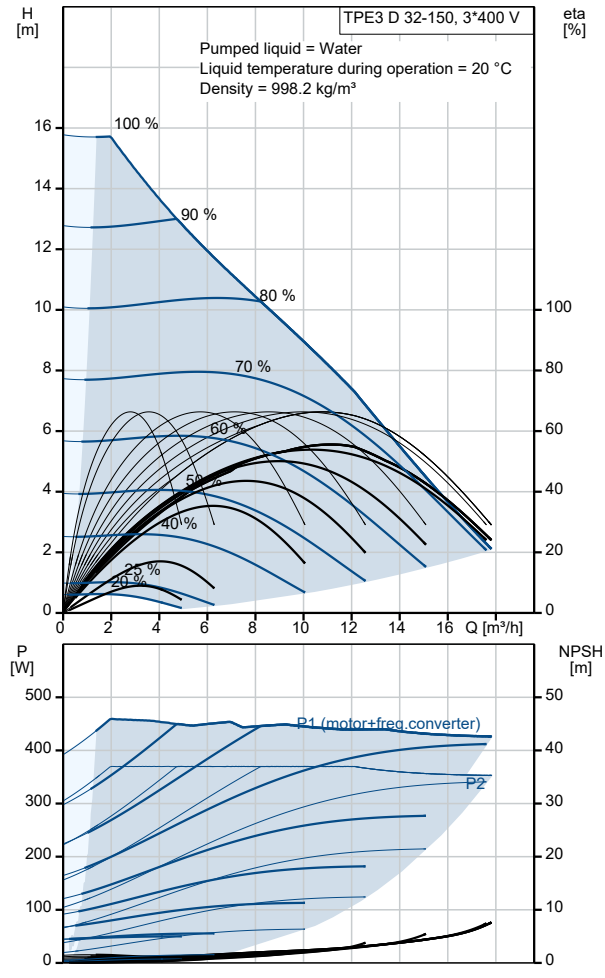


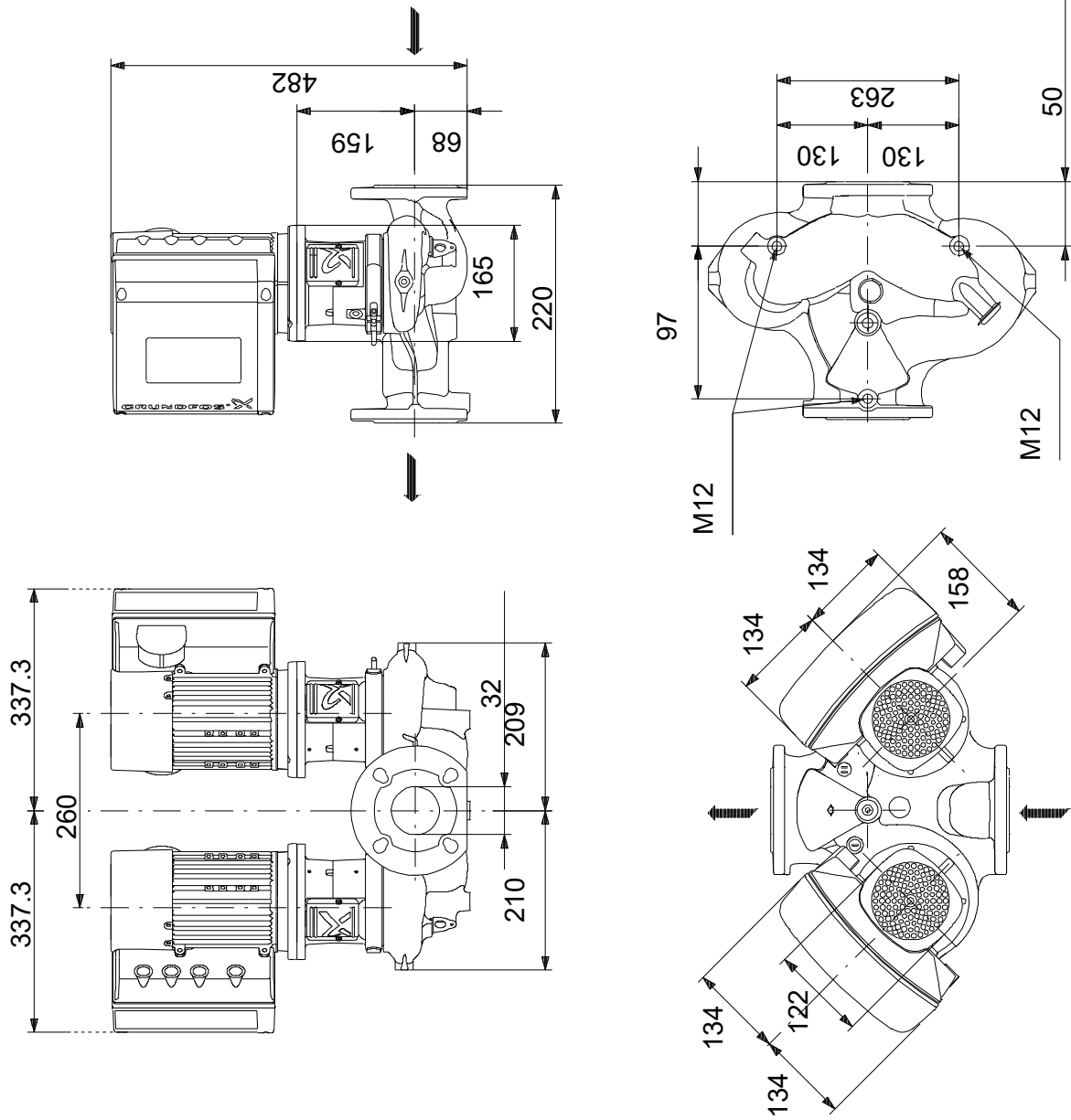
Qty.	Description																																																
1	<p data-bbox="193 159 606 190">TPE3 D 32-150 S-A-F-A-BQQE-DDC</p>  <p data-bbox="592 506 1064 533">Note! Product picture may differ from actual product</p> <p data-bbox="193 539 478 566">Product No.: On request</p> <p data-bbox="193 600 1458 651">Single-stage, close-coupled, volute twin-head pump with in-line suction and discharge ports of identical diameter. The twin-head pump is designed with two parallel power-heads.</p> <p data-bbox="193 658 1401 710">The pump is of the top-pull-out design, i.e. the power head (motor, pump head and impeller) can be removed for maintenance or service while the pump housing remains in the pipework.</p> <p data-bbox="193 716 911 743">Each power head is fitted with an unbalanced rubber bellows seal.</p> <p data-bbox="193 750 1382 801">The shaft seal is according to EN 12756. Pipework connection is via PN 6/10 DIN flanges (EN 1092-2 and ISO 7005-2).</p> <p data-bbox="193 808 1390 860">Each power head is fitted with a fan-cooled, permanent-magnet synchronous motor of identical size. The motor efficiency is classified as IE5 in accordance with IEC 60034-30-2.</p> <p data-bbox="193 866 1398 916">The motor includes a frequency converter and PI controller in the motor terminal box. This enables continuously variable control of the motor speed, which again enables adaptation of the performance to a given requirement.</p> <p data-bbox="193 922 1070 949">The pump is fitted with a combined temperature- and differential pressure sensor.</p> <p data-bbox="193 981 300 1008">Controls:</p> <table data-bbox="193 1010 643 1037"> <tr> <td>Frequency converter:</td> <td>Built-in</td> </tr> </table> <p data-bbox="193 1068 276 1095">Liquid:</p> <table data-bbox="193 1097 703 1216"> <tr> <td>Pumped liquid:</td> <td>Water</td> </tr> <tr> <td>Liquid temperature range:</td> <td>-25 .. 120 °C</td> </tr> <tr> <td>Selected liquid temperature:</td> <td>20 °C</td> </tr> <tr> <td>Density:</td> <td>998.2 kg/m³</td> </tr> </table> <p data-bbox="193 1247 316 1274">Technical:</p> <table data-bbox="193 1276 820 1451"> <tr> <td>Pump speed on which pump data are based:</td> <td>4100 rpm</td> </tr> <tr> <td>Rated flow:</td> <td>10.8 m³/h</td> </tr> <tr> <td>Rated head:</td> <td>8.2 m</td> </tr> <tr> <td>Actual impeller diameter:</td> <td>62 mm</td> </tr> <tr> <td>Code for shaft seal:</td> <td>BQQE</td> </tr> <tr> <td>Curve tolerance:</td> <td>ISO9906:2012 3B2</td> </tr> </table> <p data-bbox="193 1482 309 1509">Materials:</p> <table data-bbox="193 1512 730 1659"> <tr> <td>Pump housing:</td> <td>Cast iron EN-GJL-250 ASTM class 35</td> </tr> <tr> <td>Impeller:</td> <td>Composite PES+30% GF</td> </tr> </table> <p data-bbox="193 1691 325 1718">Installation:</p> <table data-bbox="193 1720 730 1957"> <tr> <td>Range of ambient temperature:</td> <td>-20 .. 50 °C</td> </tr> <tr> <td>Maximum operating pressure:</td> <td>10 bar</td> </tr> <tr> <td>Max pressure at stated temp:</td> <td>10 bar / 120 °C</td> </tr> <tr> <td>Type of connection:</td> <td>DIN</td> </tr> <tr> <td>Size of connection:</td> <td>DN 32</td> </tr> <tr> <td>Pressure rating for connection:</td> <td>PN 6/10</td> </tr> <tr> <td>Port-to-port length:</td> <td>220 mm</td> </tr> <tr> <td>Flange size for motor:</td> <td>56C</td> </tr> </table> <p data-bbox="193 1989 363 2016">Electrical data:</p> <table data-bbox="193 2018 655 2107"> <tr> <td>Motor type:</td> <td>71A</td> </tr> <tr> <td>IE Efficiency class:</td> <td>IE5</td> </tr> <tr> <td>Rated power - P2:</td> <td>0.37 kW</td> </tr> </table>	Frequency converter:	Built-in	Pumped liquid:	Water	Liquid temperature range:	-25 .. 120 °C	Selected liquid temperature:	20 °C	Density:	998.2 kg/m ³	Pump speed on which pump data are based:	4100 rpm	Rated flow:	10.8 m ³ /h	Rated head:	8.2 m	Actual impeller diameter:	62 mm	Code for shaft seal:	BQQE	Curve tolerance:	ISO9906:2012 3B2	Pump housing:	Cast iron EN-GJL-250 ASTM class 35	Impeller:	Composite PES+30% GF	Range of ambient temperature:	-20 .. 50 °C	Maximum operating pressure:	10 bar	Max pressure at stated temp:	10 bar / 120 °C	Type of connection:	DIN	Size of connection:	DN 32	Pressure rating for connection:	PN 6/10	Port-to-port length:	220 mm	Flange size for motor:	56C	Motor type:	71A	IE Efficiency class:	IE5	Rated power - P2:	0.37 kW
Frequency converter:	Built-in																																																
Pumped liquid:	Water																																																
Liquid temperature range:	-25 .. 120 °C																																																
Selected liquid temperature:	20 °C																																																
Density:	998.2 kg/m ³																																																
Pump speed on which pump data are based:	4100 rpm																																																
Rated flow:	10.8 m ³ /h																																																
Rated head:	8.2 m																																																
Actual impeller diameter:	62 mm																																																
Code for shaft seal:	BQQE																																																
Curve tolerance:	ISO9906:2012 3B2																																																
Pump housing:	Cast iron EN-GJL-250 ASTM class 35																																																
Impeller:	Composite PES+30% GF																																																
Range of ambient temperature:	-20 .. 50 °C																																																
Maximum operating pressure:	10 bar																																																
Max pressure at stated temp:	10 bar / 120 °C																																																
Type of connection:	DIN																																																
Size of connection:	DN 32																																																
Pressure rating for connection:	PN 6/10																																																
Port-to-port length:	220 mm																																																
Flange size for motor:	56C																																																
Motor type:	71A																																																
IE Efficiency class:	IE5																																																
Rated power - P2:	0.37 kW																																																

Qty.	Description
1	<p>Mains frequency: 50 Hz Rated voltage: 3 x 380-500 V Rated current: 1.10-1.05 A Cos phi - power factor: 0.67-0.53 Rated speed: 480-5900 rpm Efficiency: 84.0% Motor efficiency at full load: 84.0 % Enclosure class (IEC 34-5): IP55 Insulation class (IEC 85): F Motor No: 99138033</p> <p>Others: Minimum efficiency index, MEI ≥: 0.70 Net weight: 47 kg Gross weight: 60.3 kg Shipping volume: 0.252 m³ Country of origin: HU Custom tariff no.: 84137065</p>

Description	Value
General information:	
Product name:	TPE3 D 32-150 S-A-F-A-BQQE-DDC
Product No:	On request
EAN number:	On request
Technical:	
Pump speed on which pump data are based:	4100 rpm
Rated flow:	10.8 m ³ /h
Rated head:	8.2 m
Maximum head:	150 dm
Actual impeller diameter:	62 mm
Code for shaft seal:	BQQE
Curve tolerance:	ISO9906:2012 3B2
Pump version:	A
Materials:	
Pump housing:	Cast iron
Pump housing:	EN-GJL-250
Pump housing:	ASTM class 35
Impeller:	Composite
Impeller:	PES+30% GF
Material code:	A
Installation:	
Range of ambient temperature:	-20 .. 50 °C
Maximum operating pressure:	10 bar
Max pressure at stated temp:	10 bar / 120 °C
Type of connection:	DIN
Size of connection:	DN 32
Pressure rating for connection:	PN 6/10
Port-to-port length:	220 mm
Flange size for motor:	56C
Connect code:	F
Liquid:	
Pumped liquid:	Water
Liquid temperature range:	-25 .. 120 °C
Selected liquid temperature:	20 °C
Density:	998.2 kg/m ³
Electrical data:	
Motor type:	71A
IE Efficiency class:	IE5
Rated power - P2:	0.37 kW
Mains frequency:	50 Hz
Rated voltage:	3 x 380-500 V
Rated current:	1.10-1.05 A
Cos phi - power factor:	0.67-0.53
Rated speed:	480-5900 rpm
Efficiency:	84.0%
Motor efficiency at full load:	84.0 %
Enclosure class (IEC 34-5):	IP55
Insulation class (IEC 85):	F
Built-in motor protection:	ELEC
Motor No:	99138033
Controls:	
Control panel:	HMI300 - Graphical
Function Module:	FM300 - Advanced
Frequency converter:	Built-in
Others:	
Minimum efficiency index, MEI ≥:	0.70
Net weight:	47 kg
Gross weight:	60.3 kg
Shipping volume:	0.252 m ³
Config. file no:	98484635
Country of origin:	HU
Custom tariff no.:	84137065



On request TPE3 D 32-150 S-A-F-A-BQQE-DDC 50 Hz



Note! All units are in [mm] unless others are stated.
 Disclaimer: This simplified dimensional drawing does not show all details.

